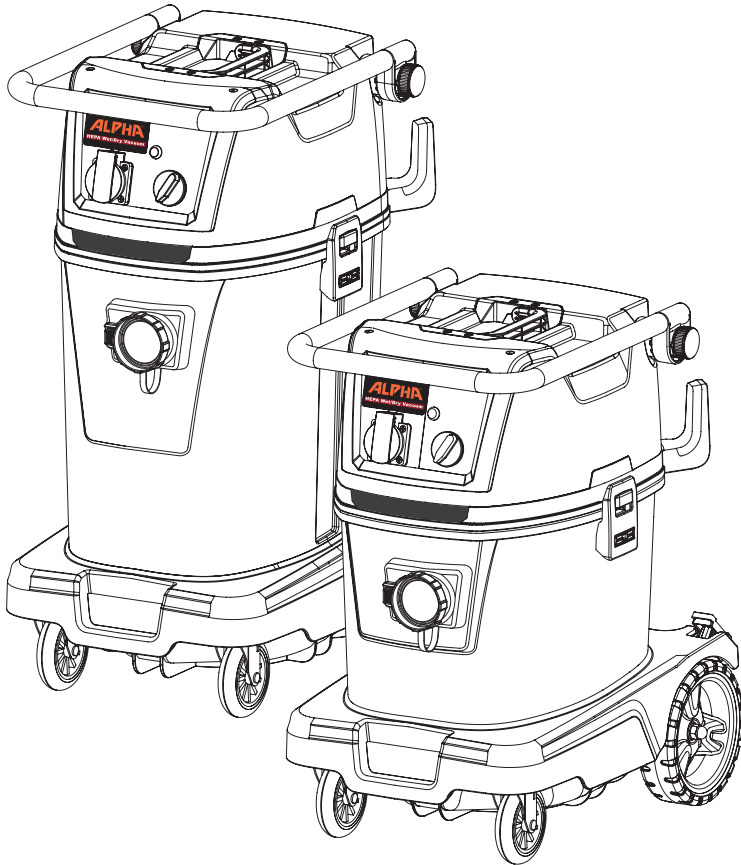


# Alpha<sup>®</sup> HEPA Wet/Dry Vacuum Instruction Manual

Manuel d'utilisation de l'aspirateur sec/humide Alpha<sup>®</sup> HEPA  
Manual del propietario de la aspiradora en seco/húmedo Alpha<sup>®</sup> HEPA



**Part No: HEPA1035/HEPA1050**

Printed Version: 12/2022

 **Alpha Professional Tools<sup>®</sup>**



Do not vacuum up burning or smouldering (e.g. chimney ash), explosive substances.

### Synopsis:

1. Before start-up	2
2. Symbols in the instruction manual	2
3. Important safety instructions	2-4
4. Grounding instructions	4
5. Display and operating elements	5
6. Operating	5-6
7. Cleaning and maintenance	6-7
8. Transport	7
9. Repair	7
10. Malfunction and troubleshooting	8
11. Original accessories	8
12. Technical Data	23
13. Operating instructions	24-33
14. Spare parts	34-35

## 1. BEFORE START-UP

Before using the device for the first time check if there is any shipping damage and inform your dealer if necessary. Read and observe the instruction manual and safety instructions may result in damage to the device and danger to the operator and other persons.

The device is suitable for vacuuming both dust and liquids. It is robust, powerful and easy to handle. The accessories that are included make it an indispensable tool for thorough and quick cleaning. The device is designed for commercial use.

Vacuum cleaners are suitable for vacuuming up/extracting dry, non-flammable, hazardous to health dusts with occupational exposure limits (OELs) > 1 mg/m<sup>3</sup>.

Restriction: No carcinogenic substances may be vacuumed up.

## 2. EXPLANATION OF THE SYMBOLS AND SIGNS USED

### Symbols in the instruction manual



Note



**WARNING!**  
Risk of injury!



**WARNING!**  
Danger from electric current



Do not use foaming cleaning agents

## 3. IMPORTANT SAFETY INSTRUCTIONS



**WARNING!**  
Risk of injury!

- ⚠ This device is not intended for use by persons with physical, sensory or mental disabilities, or lack of experience and knowledge, unless they have been given instructions concerning use of the device and are supervised by a person responsible for their safety.
- ⚠ Keep children away from the vacuum cleaner.
- ⚠ Do not allow to be used as a toy. Close attention is necessary when used by or near children.
- ⚠ HEPA1035/HEPA1050 is suitable for extracting dry, non-flammable, harmful to health dusts from machines and devices. Restriction: No carcinogenic substances.
- ⚠ Danger from harmful to health dust Respiratory diseases due to inhalation of dust. Do not vacuum without a filter element, otherwise there is a health hazard due to increased fine dust emissions.
- ⚠ The suction unit is not suitable to vacuum hazardous dusts as asbestos.
- ⚠ Never remove the filter when vacuuming. Risk of damage to the vacuum motor due to fine dust entering the device.
- ⚠ The packaging elements (e.g. plastic bags) may pose potential danger to children and others who are not aware of their actions. Keep out of reach of animals.
- ⚠ Any use not in accordance with the intended use may constitute a danger and must therefore be avoided.
- ⚠ The device must be mounted correctly before use. Furthermore, check that the filter elements (e.g. filter, etc.) are correctly mounted and powerful enough.
- ⚠ Check that the socket outlet is compliant with the device's plug. Only operate the vacuum cleaner from a properly grounded outlet. See Grounding Instructions.
- ⚠ When operating the device, avoid bringing the vacuum opening close to sensitive parts of the body such as eyes, mouth, ears, etc.
- ⚠ This vacuum cleaner is designed for wet and dry cleaning of floor and wall surfaces.
- ⚠ Do not block or obstruct openings. Keep openings free of

lint, hair, dust and anything that restricts air flow.

- ⚠ Use recommended filters when vacuuming drywall materials.
- ⚠ Do not use to vacuum combustible explosive materials, such as:
  - coal, grain and other finely dividend combustable material
  - flammable or explosive solvents
  - substances impregnated with solvent
  - explosive dusts
  - liquids such as petrol, oil, alcohol, thinner
  - burning or smoking, such as cigarettes, matches, or hot ashes
  - substances hotter tan 113 F / 45 °C
- ⚠ The device is not suitable for environments protected against electrostatic discharge.
- ⚠ Only use the original accessories supplied with the device.
- ⚠ Do not leave the running device unattended.
- ⚠ If any liquid or foam leaks out, switch off immediately.
- ⚠ Do not vacuum up any aggressive liquids, as these could damage the device.
- ⚠ Permissible ambient temperature 14°F to 86°F / -10 °C to +30 °C
- ⚠ Maintenance and repairs must always be carried out by qualified personnel; any damaged parts must only be replaced with original spare parts.
- ⚠ Any modification of the device is prohibited. The modification may result in fires and injuries, including fatal ones, to the user, in addition to voiding the warranty.
- ⚠ The manufacturer accepts no liability for damage caused to objects or persons as a result of failure to observe these operating instructions or in the event of misuse of the device.
- ⚠ Always use eye protection when operating Vacuum Cleaner.

**WARNING:** This device contains dust that is hazardous to health. Emptying and maintenance, including removal of the dust bag, must only be carried out by competent persons wearing suitable protective equipment. Do not switch on until the complete filter system is installed.

**WARNING – To reduce the risk of fire, electric shock, or injury:**  
a) Do not leave appliance when plugged in. Unplug from outlet when not in use and before servicing.

**WARNING – To Reduce The Risk Of Electric Shock – Use indoors only**

**CAUTION – To Reduce The Risk Of Injury From Moving Parts – Unplug Before Servicing.**

**WARNING – TO REDUCE THE RISK OF ELECTRIC SHOCK– UNPLUG BEFORE CLEANING OR SERVICING.**

- ⚠ Use extra caution when operating on stairs.
- ⚠ Stay alert! Do not use Vacuum Cleaner when you are tired or under the influence of drugs, alcohol or medication.
- ⚠ Use only as described in this manual. Use only manufacturer's recommended attachments.
- ⚠ Keep hair, loose clothing, fingers, and all parts of body away from openings and moving parts.
- ⚠ Do not use without dust bag and/or filters in place.
- ⚠ Do not use with damaged cord or plug. If appliance is not working as it should, has been tropped, damaged, left outdoors or dropped into water return it to a service center.



**WARNING!**  
Danger from electric current

- ⚠ Near all receptacles: "Risk of fire. Do not exceed (the current rating of the vacuum) Amps.", or equivalent.", or the equivalent.
- ⚠ For "AUTO" receptacles located on or near the receptacles: "Risk of injury. When appliances connected to this receptacle are turned on, the (name of vacuum or appliance) will turn on automatically", or the equivalent.
- ⚠ Always store the vacuum cleaner indoors and do not expose to rain, to avoid shock
- ⚠ Do not pull or carry by cord, use cord as a handle, close a door on cord, or pull cord around sharp edges or corners. Do not run appliance over cord. Keep cord away from heated surfaces.
- ⚠ Turn switch to off before unplugging power supply cord.
- ⚠ To unplug grasp the plug, not the cord.
- ⚠ Do not handle plug or appliance with wet hands
- ⚠ Keep the cord away from heat and oil. Do not leave cord lying around after job is complete. It can become a tripping hazard.
- ⚠ Do not immerse the device in water or wash it with a jet of water for cleaning.
- ⚠ Before any kind of intervention or when the device is unattended or not in use, always disconnect the plug from the socket
- ⚠ Always check the connection cable for damage such as cracks or signs of ageing. Replace the cable before using it again.

- ⚠ If the connection cable is damaged, it must be replaced by the manufacturer, its technical service or a qualified person so that any danger is prevented.
- ⚠ When using an electrical extension lead, check that they rest on dry surfaces and are protected from splashing water.
- ⚠ Use the socket on the vacuum cleaner only for the purposes specified in the operating instructions. The manufacturer accepts no liability for damage if the device is misused, improper operation or improper repair. Do not use damaged extension leads.
- ⚠ The voltage on the type plate must match the mains voltage.

**SAVE THESE INSTRUCTIONS**

**4. GROUNDING INSTRUCTIONS**

- This appliance must be grounded. If it should malfunction or break down, grounding provides a path of least resistance for electric current to reduce the risk of electric shock.
- This appliance is equipped with a cord having an equipment grounding conductor and ground plug.
- The plug must be inserted into an appropriate outlet that is properly installed and grounded in accordance with all local codes and ordinances.

**WARNING:**

- Improper connection of the equipment grounding conductor can result in a risk of electric shock.
- Check with a qualified electrician or service person if you are in doubt as to whether the outlet is properly grounded.
- Do not modify the plug provided with the appliance.
- If it will not fit the outlet, have a proper outlet installed by a qualified electrician.
- This appliance is for use on a nominal 120-volt circuit, and has a grounded plug that looks like the plug illustrated in Fig.A.
- A temporary adapter that looks like the adapter illustrated in Fig.B, may be used to connect this plug to a two-pole receptacle as shown in Fig.B, if a properly grounded outlet is not available.
- The temporary adapter should be used only until a properly grounded outlet (Fig.A) is installed by a qualified electrician.
- The green colored rigid ear, lug, or the like extending from the adapter must be connected to a permanent ground such as a properly grounded outlet box cover.
- Whenever the adapter is used, it must be held in place by a metal screw.

Figure A

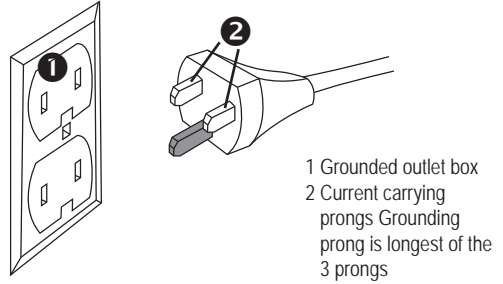
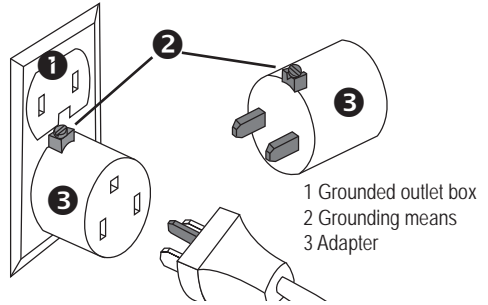


Figure B



**Note:** In Canada, the use of a temporary adapter is not permitted by the Canadian Electrical Code.

**IN ALL CASES, MAKE SURE THE RECEPTACLE IN QUESTION IS PROPERLY GROUNDED.**

**NEVER REMOVE GROUNDING PRONG FROM POWER PLUG.**

**EXTENSION CORDS**

Use only three-wire extension cords that have three-prong grounding-type plugs and three-pole receptacle that accepts the appliance's lug. Replace damaged or worn cord immediately.

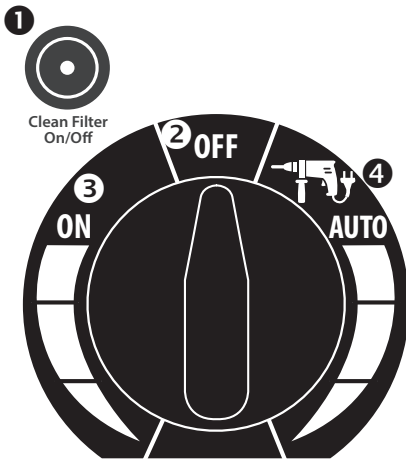
**DO NOT ATTEMPT TO REPAIR POWERCORD.**



Old devices contain valuable recyclable materials that should be recycled. Batteries, oil and similar substances must not be released into the environment. Please dispose of old devices with suitable collection systems.



## 5. DISPLAY AND OPERATING ELEMENTS



1. Cleaning function On / Off (incl.) Control light
2. Device OFF
3. Standard mode
4. Automatic mode with tool connected
5. Power socket (max. 6 A\*)

\* Vacuum cleaner and power tools together should not consume more than 15 A

## 6. OPERATION

### 6.1 Before each start-up

Before each start-up, make sure that the vacuum cleaner, power cord, vacuum hose and accessories are not damaged. It must also be ensured that the filter is inserted and not damaged.

- △ Make sure that plugged-in power tools are not switched on. The socket on the vacuum cleaner is live when the mains plug is plugged in, regardless of the switch position.

### 6.2 Permanent filter cleaning

The vacuum cleaner is equipped with electromagnetic valves that clean the filter by air back flushing. Each cleaning cycle cleans the two chambers of the filter 2 times each. Cleaning takes place automatically every 45 seconds after the last cleaning cycle.

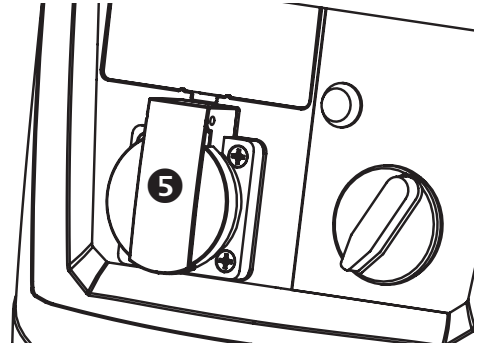
If continuous cleaning is not necessary due to a low level of dust, you can switch it off by deactivating the cleaning function (2).

Cleaning is active when the indicator light (2) on the control panel lights up.

When working overhead with for example long-neck grinders, make sure that the vacuuming is briefly reduced by the vacuum cleaner during the cleaning interval. This can cause the tool to fall off the ceiling. Cleaning can be switched off for small amounts of dust.

### 6.3 Insert fleece filter bag

1. Unlock the locking tabs and remove the motor head
2. Attach the fleece filter bag.
3. Put on the motor head and lock it with the locking tabs.



### 6.4 Insert Waste Bag

1. Unlock the locking tabs and remove the motor head
2. Attach the Waste Bag and put it over the edge of the container. Note that the holes provided above the flange must be placed over the electrodes of the water cut-off.
3. Spread the Waste Bag against the inside of the container in order to lose as little volume as possible.
4. Put on the motor head and lock it with the locking tabs.

### 6.5 Switching on the vacuum cleaner

The device allows 2 operating modes.

- Standard mode (5): Vacuum cleaner switches on immediately
- Automatic mode (6): The vacuum cleaner is in standby mode for power tools and only switches on when a power tool plugged into the socket (7) is switched on and switches off again 5 seconds after the power tool is switched off.

The power of the vacuum cleaner can be adjusted continuously from 100% to 50% in both operating modes.

Plug in the mains plug of the device. Set the rotary switch of the device to one of the two operating modes.

### 6.6 Dry vacuuming

See Fig. 3-11.

Before vacuuming, make sure that the filter, the vacuum cleaner and the vacuum cleaner accessories used are dry to prevent dust from sticking and becoming encrusted.

For dry vacuuming it is recommended to use a fleece filter bag  
Item no.: 102066.

Use filter bag and Waste Bag only in conjunction with filter Item  
no.: 118175.

### 6.7 Wet vacuuming

⚠ If foam or liquid escapes, switch off the vacuum cleaner  
immediately.

See Fig. 12-19

⚠ Before vacuuming, make sure that the electrodes of the  
water level sensor (Fig. 39) are clean and that contact is  
made with the pick-up contacts in the motor head.

The filter is suitable for wet vacuuming, and must remain  
installed to protect the motor from coarse particles.

The built-in sensor automatically switches off the motor  
when the container is full.

When vacuuming mainly water, it is recommended to deac-  
tivate the cleaning function (2) of the vacuum cleaner.

⚠ With any non-conductive liquids (for example drilling  
emulsion), the device is not switched off when the con-  
tainer is full. The fill level must be checked in good time  
and the container emptied accordingly.

After wet vacuuming, clean the main filter element with the filter  
cleaning device and empty the container (Fig. 19), clean with a  
damp cloth and dry. Remove the motor head with filter from the  
container to dry, also dry the suction accessories.

### 6.8 Working with power tools

Fig. 7, 40

⚠ To suck wet dirt, always remove the fleece filter bag.

⚠ Make sure that plugged-in power tools are not switched on.  
The socket on the vacuum cleaner is live when the mains  
plug is plugged in, regardless of the switch position.

1. Remove the elbow from the vacuum hose
2. Remove the locking sleeve from the manifold
3. Push the tool adapter onto the hose socket
4. Put the locking sleeve over the tool adapter and lock it.
5. Insert the tool adapter into the opening provided on the  
power tool.
6. Plug the power tool into the socket (7) of the vacuum cleaner.
7. Set the control switch on the vacuum cleaner to automatic  
mode (6).

The vacuum cleaner is now in standby mode and only switches  
on when a power tool plugged into the socket (7) is switched  
on and switches off again 5 seconds after it has been switched  
off.

### 6.9 Switching off the vacuum cleaner

Set the rotary switch to the "OFF" position (5). The vacuum  
cleaner is now switched off. After switching off, pull out the  
mains plug and wind up the connecting cable from the vacuum  
cleaner.

The connecting cable can be wound over the push bar or the  
hose hook, for example.

Fix the vacuum pipe to the rear wall of the container by insert-  
ing it into the accessory depot.

### 6.10 After operation

Empty the container and clean the inside and outside of the  
vacuum cleaner by vacuuming and wiping with a damp cloth.

## 7. CLEANING AND MAINTENANCE

Make sure that the vacuum cleaner is always switched off and  
disconnected from the mains for care and maintenance. Acid,  
acetone, solvents and care products containing silicone can  
damage suction parts.

For user maintenance, the vacuum cleaner must be disassem-  
bled, cleaned and serviced. As far as is practicable without  
causing danger to maintenance personnel and other persons.  
Appropriate precautions include decontamination before dis-  
assembly, provision for local filtered forced ventilation where  
the vacuum cleaner is being dismantled, cleaning of the ser-  
vice area and appropriate personal protective equipment.

At least once a year, the manufacturer or an instructed person  
must carry out a dust inspection, e.g. for damage to the filter,  
leak tightness of the vacuum cleaner and that the control de-  
vice is working.

### 7.1 Changing fleece filter bag

See Fig. 4 - 6

1. Close the vacuum connection with a sealing plug
2. Unlock the locking tabs and remove the motor head.
3. Remove the fleece filter bag from the flange and close it  
tightly with the cap.
4. Dispose of used fleece filter bags in accordance with legal  
requirements.
5. Put on the new fleece filter bag and snap in the seal.
6. Put on the motor head and lock it with the locking tabs.

### 7.2 Changing Waste Bag

See Fig. 8-11, 4-5

1. Close the vacuum connection with a sealing plug
2. Switch the vacuum cleaner on again and wait for the clean-  
ing cycle to clean the residual dust from the filter. Then un-  
plug the vacuum cleaner. To ensure that the dust settles in  
the container, wait approx. 30 seconds.
3. Remove the Waste Bag from the flange and close it tightly  
with the cap
4. Carefully close the Waste Bag tightly with the enclosed ca-  
ble tie.
5. Dispose of used Waste Bag in accordance with legal re-  
quirements.

- Put on a new Waste Bag and put it over the edge of the container. Note that the holes provided above the flange must be placed over the electrodes of the water cut-off.
- Put on the motor head and lock it with the locking tabs

### 7.3 Cleaning the electrodes

See Fig. 39

Clean the electrodes with a brush or cloth

### 7.4 Cleaning the cooling air filter

See Fig. 38

To ensure that the motor is cooled sufficiently, make sure that the cooling air filter is clean. Otherwise, overheating and subsequent thermal protection shutdown may occur.

Vacuum the cooling air filter with a vacuum cleaner.

### 7.5 Changing filter

See Fig. 29-35

The tool for changing the filter is attached to the rear of the chassis.

- Loosen the 6 screws on the underside of the motor head along the fastening ring. (Do not unscrew completely)
- Loosen the fastening ring by turning it and remove it.
- Remove the filter and immediately seal it in a dust-tight plastic bag and dispose of it as intended.
- New filter Item no.: Insert 118175.
- Attach the fastening ring and lock it by turning.
- Tighten all 6 screws.

### 7.6 Cleaning the exhaust air filter

See Fig. 36-37

- Remove the filter cassette on the back of the motor head and take out the exhaust air filters.
- Clean (vacuum, wash out) or change the Filter Sponge. Item no. 118103 or 118174
- Insert new or cleaned exhaust air filters and reinsert the filter cassette into the motor head.

### 7.7 Cleaning filter

- Remove the vacuum hose.
- Close the vacuum connection with a sealing plug.
- Switch on the vacuum cleaner and wait for the cleaning cycle to clean the residual dust from the filter.

If the filter is still not clean, switch the vacuum cleaner on again and wait for another cleaning cycle.

## 8. TRANSPORT

Remove the vacuum hose and close the vacuum socket with the cap.

Stow the accessories in the accessory storage provided at the back of the vacuum cleaner. Wrap the vacuum hose around the vacuum cleaner using the hose hooks. Pin the hose ends together to prevent dirt particles from escaping.

Wind the cable from the vacuum cleaner and place it around the push bar or the hose hook.

When transporting in vehicles, ensure that the vacuum cleaner is secured against slipping and tipping in accordance with the applicable directives.

## 9. REPAIR

⚠ Vacuum cleaners that have not been repaired properly pose a danger to the user!

**Repairs may only be carried out by qualified personnel, e.g. customer service. Only use original spare parts.**

## 10. MALFUNCTION AND TROUBLESHOOTING

Make sure that the vacuum cleaner is always switched off and disconnected from the mains for repair.

Malfunctions are not always due to defects in the vacuum cleaner.

Malfunction	Cause	Remedial action
Decrease in vacuuming power	Filter dirty	Close the vacuum connection with the sealing plug and switch on the vacuum cleaner again and wait for the cleaning cycle to clean the filter.
	Filter bag full Container full Nozzle, pipes or hose clogged Container nozzle / filter bag flange clogged	Change Empty Clean Clean
Vacuum cleaner does not start	Mains plug not plugged in No mains power Connection cable defective Water sensor switched off Vacuum cleaner switched to "Auto"	Plug in the mains plug Check fuse Renew Empty container and clean electrodes see "5. Switching on the vacuum cleaner"
Vacuum cleaner does not start when the tool is switched on in "Auto" mode	Power tool not plugged into socket on vacuum cleaner Tool does not reach the minimum power of 20 W to be recognised by the vacuum cleaner.	Insert the mains plug into the socket on the vacuum cleaner Use the vacuum cleaner in continuous operation
Waste Bag is vacuumed onto the filter	Waste Bag is not inserted and fitted correctly.	Place the Waste Bag completely over the edge of the container and press the flange completely over the receptacle and put the holes provided over the electrodes of the water shut-off.
Vacuum cleaner: with filter bag inserted, dust in the container	Filter bag not fitted correctly.	Press the filter bag completely over the filter bag flange.

## 11. ORIGINAL ACCESSORIES

Article designation	Special features	Item no.
Filter	HEPA 13	118175
Fleece filter bags (packing unit = 5 pcs.)		102066

Further accessories can be found in the spare parts drawing.

Optional	Item no.
Waste Bag (packing unit = 5 pcs.)	118138



Ne pas aspirer de substances enflammées, incandescentes (par ex. cendres de cheminée) ou explosives.

## Indication du contenu :

1. Avant la mise en service	9
2. Symboles dans la notice d'utilisation	9
3. Instructions de sécurité importantes	9
4. Instructions de mise à la terre	11
5. Éléments d'affichage et de commande	12
6. Fonctionnement	12
7. Nettoyage et maintenance	13
8. Transport	14
9. Réparation	15
10. Défauts et dépannage	15
11. Accessoires d'origine	15
12. Données techniques	23
13. Instructions d'utilisation	24-33
14. Pièces de rechange	34-35

## 1. AVANT LA MISE EN SERVICE

Avant la première utilisation de l'appareil, lisez et respectez le présent mode d'emploi et les consignes de sécurité. Le non-respect de la notice d'utilisation et des consignes de sécurité peut causer des dommages sur l'appareil et des dangers pour l'opérateur et d'autres personnes.

L'appareil est approprié pour l'aspiration de poussière ainsi que de liquides. Il est robuste, puissant et facile à manipuler. Les accessoires joints à la livraison en font un moyen auxiliaire indispensable pour un nettoyage approfondi et rapide. L'appareil est conçu pour l'utilisation commerciale.

Des aspirateurs de la classe de poussière L sont appropriés pour l'aspiration de poussières sèches, non inflammables, dangereuses pour la santé avec des valeurs limites d'exposition professionnelle (AGWs) > 1 mg/m<sup>3</sup>.

Restriction : Aucune substance cancérigène ne doit être aspirée

## 2. EXPLICATION DES SYMBOLES ET SIGNES UTILISÉS

## Symboles dans la notice d'utilisation



**Notification**



**MISE EN GARDE !**  
Risque de blessure !



**MISE EN GARDE !**  
Danger par courant électrique



Ne pas utiliser de produits de nettoyage moussants.

## 3. INSTRUCTIONS DE SÉCURITÉ IMPORTANTES



**MISE EN GARDE !**  
Risque de blessure !

- ⚠ Cet appareil ne doit pas être utilisé par des personnes souffrant de handicaps physiques, sensoriels ou mentaux, ou qui manquent d'expérience et de connaissances, à moins qu'elles n'aient reçu des instructions concernant l'utilisation de l'appareil et qu'elles soient supervisées par une personne responsable pour leur sécurité.
- ⚠ Tenez les enfants éloignés de l'aspirateur.
- ⚠ Ne pas permettre qu'il soit utilisé comme un jouet. Une attention particulière est nécessaire lorsqu'il est utilisé par ou à proximité d'enfants.
- ⚠ HEPA1035/HEPA1050 est adapté à l'extraction de poussières sèches, ininflammables et nocives pour la santé provenant de machines et d'appareils. Restriction : Pas de substances cancérigènes.
- ⚠ Danger par poussière nuisible à la santé, maladies des voies respiratoires par inhalation de poussière. N'aspirez pas sans élément filtrant, étant donné que sinon, il y a survenance d'une mise en danger de la santé due à une émission de particules fines augmentée.
- ⚠ Ne retirez jamais la cartouche filtrante pendant l'aspiration. Risque d'endommagement du moteur d'aspiration par fuite de particules fines.
- ⚠ Les éléments d'emballage (par ex. des sacs en plastique) peuvent constituer un risque potentiel pour des enfants et d'autres personnes qui ne sont pas conscients des conséquences de leurs actions. Conserver hors de portée d'animaux.
- ⚠ Toute utilisation non conforme peut représenter un danger et doit pour cette raison être évitée.
- ⚠ L'appareil doit être monté correctement avant son utilisation. En outre, il faut vérifier que les éléments filtrants (par ex. la cartouche filtrante) soient montés correctement et soient efficaces.
- ⚠ Vérifier que la prise de conforme soit conforme à la fiche de l'appareil. Ne faites fonctionner l'aspirateur qu'à partir d'une prise correctement mise à la terre. Voir les instructions de mise à la terre.
- ⚠ Lors de l'exploitation de l'appareil, il faut éviter d'amener l'ouverture d'aspiration trop proche de membres sensibles du corps, comme par ex. les yeux, la bouche, les oreilles etc.
- ⚠ Cet aspirateur est déterminé pour le nettoyage humide et à sec de sols et de surfaces murales.

- ⚠ Utilisez les filtres recommandés pour aspirer les matériaux de cloison sèche.
- ⚠ Ne pas utiliser pour aspirer des matériaux explosifs combustibles, tels que :
  - charbon, céréales et autres matières combustibles à dividende fin
  - solvants inflammables ou explosifs
  - substances imprégnées de solvant
  - poussières explosives
  - les liquides tels que l'essence, l'huile, l'alcool, le diluant
  - substances plus chaudes que 113 F/45 °C
  - brûler ou fumer, comme des cigarettes, des allumettes ou des cendres chaudes
- ⚠ L'appareil n'est pas approprié pour des environnements protégés contre des décharges électrostatiques.
- ⚠ Uniquement utiliser l'appareil avec les accessoires d'origine joints à la livraison.
- ⚠ Ne pas laisser l'appareil en marche sans surveillance.
- ⚠ En cas d'échappement de liquide ou de mousse, immédiatement le mettre à l'arrêt.
- ⚠ Ne pas aspirer des liquides agressifs, étant donné que ces derniers pourraient endommager l'appareil.
- ⚠ Température ambiante admissible 14°F to 86°F / -10 °C - +30 °C
- ⚠ Les maintenances et les réparations doivent toujours être effectuées par du personnel spécialisé, des pièces éventuellement endommagées doivent uniquement être remplacées par des pièces de rechange d'origine.
- ⚠ Toute modification de l'appareil est interdite. En plus de l'annulation de la garantie, la modification peut également entraîner des blessures potentiellement mortelles pour l'utilisateur.
- ⚠ Le fabricant n'assume aucune responsabilité pour des dommages personnels ou matériels résultant du non-res-

MISE EN GARDE : Cet appareil contient des poussières dangereuses pour la santé. Le vidange et la maintenance, y compris le retrait du sac à poussière, doivent uniquement être effectués par des personnes instruites en la matière et qui portent un équipement de protection approprié. Ne pas mettre en marche avant l'installation du système de filtrage complet.

Cet appareil permet d'aspirer tous les types de poussières jusqu'à la classe de poussière L.

AVERTISSEMENT - Pour réduire les risques d'incendie, de choc électrique ou de blessure :

a) Ne laissez pas l'appareil lorsqu'il est branché. Débranchez-le de la prise lorsqu'il n'est pas utilisé et avant de le réparer.

ATTENTION - Pour réduire le risque de blessure par des pièces mobiles, débranchez l'appareil avant de le réparer.

AVERTISSEMENT - Pour réduire les risques d'électrocution - N'utiliser qu'à l'intérieur.

AVERTISSEMENT - POUR RÉDUIRE LE RISQUE DE CHOC ÉLECTRIQUE - DÉBRANCHEZ L'APPAREIL AVANT DE LE NETTOYER OU DE L'ENTRETIENIR.

pect du présent mode d'emploi ou d'une utilisation abusive de l'appareil.

- ⚠ Utilisez toujours des lunettes de protection lorsque vous utilisez l'aspirateur.
- ⚠ N'utilisez que ce qui est décrit dans ce manuel. N'utilisez que les accessoires recommandés par le fabricant.
- ⚠ Tenez les cheveux, les vêtements amples, les doigts et toutes les parties du corps éloignés des ouvertures et des pièces mobiles.
- ⚠ N'utilisez pas l'appareil sans sac à poussière et/ou filtres en place.
- ⚠ N'utilisez pas l'appareil si le cordon ou la fiche sont endommagés. Si l'appareil ne fonctionne pas comme il le devrait, s'il a été piétiné, endommagé, laissé à l'extérieur ou tombé dans l'eau, retournez-le à un centre de service.
- ⚠ Soyez très prudent lorsque vous travaillez dans des escaliers.
- ⚠ Restez vigilant ! N'utilisez pas l'Aspirateur lorsque vous êtes fatigué ou sous l'influence de drogues, d'alcool ou de médicaments.



**MISE EN GARDE !**  
Danger par courant électrique

- ⚠ Près de tous les réceptacles : " Risque d'incendie. Ne pas dépasser (le courant nominal de l'aspirateur Amps.", ou l'équivalent.", ou l'équivalent.
- ⚠ Pour les réceptacles "AUTO" situés sur ou près des réceptacles : "Risque de blessure. Lorsque les appareils connectés à cette prise sont allumés, le (nom de l'aspirateur ou de l'appareil) s'allumera automatiquement", ou l'équivalent.
- ⚠ Pour éviter tout choc, rangez toujours l'aspirateur à l'intérieur et ne l'exposez pas à la pluie.
- ⚠ Ne tirez pas ou ne portez pas le cordon, ne l'utilisez pas comme une poignée, ne fermez pas une porte sur le cordon et ne tirez pas le cordon autour de bords ou de coins aigus. Ne pas faire passer l'appareil sur le cordon. Maintenez le cordon à l'écart des surfaces chauffées.
- ⚠ Ne tirez ou ne soulevez jamais l'appareil par le câble de raccordement. Ne fermez pas la porte sur le cordon et ne tirez pas le cordon autour d'arêtes vives.
- ⚠ Mettez l'interrupteur sur arrêt avant de débrancher le cordon d'alimentation.
- ⚠ Ne pas manipuler la fiche ou l'appareil avec des mains mouillées.
- ⚠ Pour débrancher l'appareil, saisissez la fiche, pas le cordon.

- ⚠ Ne débranchez pas le cordon avec des mains mouillées.
- ⚠ Maintenez le cordon à l'écart de la chaleur et de l'huile. Ne laissez pas traîner le cordon une fois le travail terminé. Il peut devenir un risque de trébuchement.
- ⚠ Ne plongez pas l'appareil dans l'eau et ne le lavez pas avec un jet d'eau pour le nettoyer.
- ⚠ Avant tout type d'intervention ou lorsque l'appareil est sans surveillance ou non utilisé, débranchez toujours la fiche de la prise.
- ⚠ Vérifiez toujours que le câble de connexion n'est pas endommagé (fissures ou signes de vieillissement). Remplacez le câble avant de l'utiliser à nouveau.
- ⚠ Si le câble de raccordement est endommagé, il doit être remplacé par le fabricant, son service technique ou une personne qualifiée afin d'éviter tout danger.
- ⚠ Lorsque vous utilisez une rallonge électrique, vérifiez qu'elle repose sur des surfaces sèches et qu'elle est protégée des projections d'eau.

#### 4. INSTRUCTIONS DE MISE À LA TERRE

- Cet appareil doit être connecté à la terre. En cas de dysfonctionnement ou de panne, la mise à la terre fournit un chemin de moindre résistance pour le courant électrique pour réduire le risque de choc électrique.
- Cet appareil est équipé d'un câble doté d'un équipement conducteur de terre et d'une prise de terre.
- La fiche doit être branchée dans une prise électrique qui est correctement installée et raccordée à la terre en conformité avec les réglementations et directives locales.

#### AVERTISSEMENT :

- Une connexion incorrecte du conducteur de terre de l'équipement peut avoir pour résultat un risque de choc électrique.
- Contrôler avec un électricien qualifié ou un technicien de service si vous avez des doutes relatifs à la mise à la terre correcte de la prise.
- Ne pas modifier la fiche fournie avec l'appareil.
- Si la fiche ne rentre pas dans la prise, faites installer une prise appropriée par un électricien qualifié.
- Cet appareil est destiné à une utilisation sur un circuit 120 V nominaux, et est équipé d'une prise de terre qui ressemble à la prise illustrée dans la fig. A.
- Un adaptateur temporaire qui ressemble à l'adaptateur illustré dans la fig. B peut être utilisé pour connecter cette fiche au réceptacle deux pôles comme indiqué dans la fig. B si une prise correctement reliée à la terre n'est pas disponible.
- L'adaptateur temporaire doit être utilisé uniquement jusqu'à ce qu'une prise correctement reliée à la terre (fig. A) soit installée par un électricien qualifié.
- L'oreille rigide de couleur verte, la lame ou l'équivalent étendu depuis l'adaptateur doit être connecté à une terre per-

Figure A

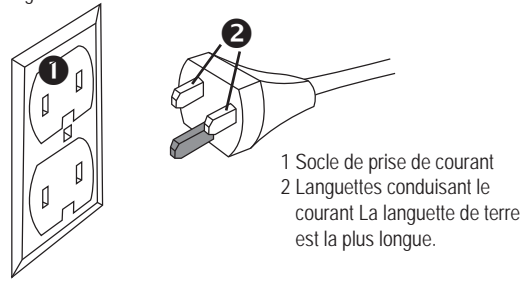
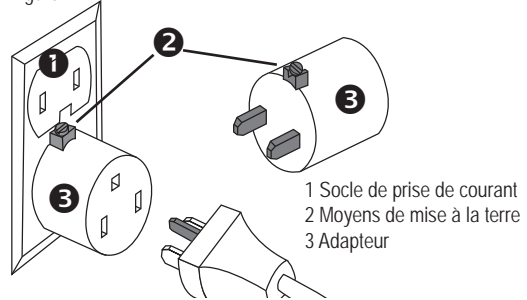


Figure B



**Note:** Au Canada, l'utilisation d'un adaptateur temporaire n'est pas autorisée par le Code Electrique Canadien.

- manente comme un couvercle de prise relié correctement à la terre.
  - Quel que soit l'endroit où l'adaptateur est utilisé, il doit être maintenu en place par une vis métallique.
- DANS TOUS LES CAS, S'ASSURER QUE LE RECEPTACLE EN QUESTION EST CORRECTEMENT RELIE A LA TERRE.**

**NE JAMAIS RETIRER LA LANGUETTE DE CONTACT DE TERRE DE LA FICHE ELECTRIQUE.**

#### RALLONGES

Utiliser uniquement des câbles de rallonge à trois fils équipés de fiches à mise à la terre à trois languettes et des réceptacles à trois pôles qui acceptent la fiche de l'appareil. Remplacer le câble endommagé ou usé immédiatement.

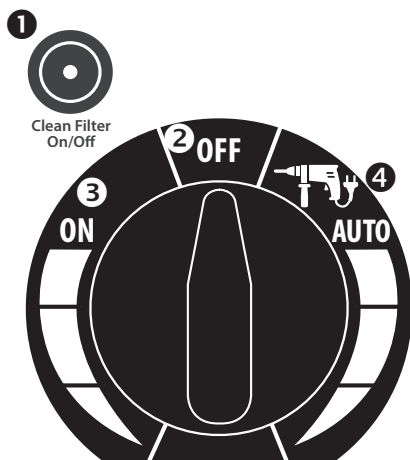
**NE PAS TENTER DE REPARER UN CABLE D'ALIMENTATION.**

#### SAUVEGARDER CES INSTRUCTIONS



Les anciens appareils contiennent des matériaux recyclables précieux qui doivent être recyclés. Les batteries, l'huile et les substances similaires ne doivent pas pénétrer dans l'environnement. Veuillez donc éliminer les anciens appareils en utilisant des systèmes de collecte appropriés.

## 5. ÉLÉMENTS D’AFFICHAGE ET DE COMMANDE



## 6. FONCTIONNEMENT

### 6.1 Avant chaque mise en service

Avant chaque mise en service, assurez-vous que l'aspirateur, le câble de raccord au réseau, le tuyau d'aspiration et les accessoires ne soient pas endommagés.

De même, il faut s'assurer que la cartouche filtrante soit insérée et ne soit pas endommagée.

⚠ Faites attention à ce que les outils électriques branchés ne soient pas allumés. En cas de fiche de réseau branchée, indépendamment de la position de l'interrupteur, la fiche de courant sur l'aspirateur est sous tension.

### 6.2 Régler le diamètre du tuyau (uniquement aspirateur M)

Afin que le dispositif d'avertissement (3) fonctionne conformément aux prescriptions, le diamètre de tuyau utilisé doit toujours être réglé sur le commutateur rotatif (1).

### 6.3 Décolmatage permanent du filtre

L'aspirateur est équipé de vannes électromagnétiques, qui nettoient la cartouche filtrante par rétro-lavage d'air. Chaque cycle de nettoyage nettoie les deux chambres de la cartouche filtrante respectivement 2 fois. Le nettoyage se fait de manière automatique toutes les 45 secondes après le dernier cycle de nettoyage.

Si un décolmatage continu devait ne pas être nécessaire en raison d'une faible concentration de poussière, vous pouvez le couper en désactivant la fonction de nettoyage (2).

Le nettoyage est actif quand le témoin lumineux (2) sur le panneau de commande est allumé.

En cas de travaux au-dessus de la tête, par ex. avec des ponceuses autoportées à rallonge, il faut veiller à ce que l'as-

1. Fonction de nettoyage Marche/Arrêt (y compris) témoin lumineux

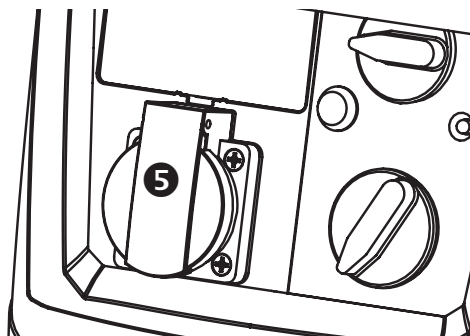
2. Appareil ARRÊT

3. Mode standard

4. Mode automatique avec outil raccordé

5. Prise de courant (max. 6 A\*)

\* L'aspirateur et les outils électriques ne doivent pas consommer plus de 15 A ensemble.



piration par l'aspirateur soit brièvement interrompue pendant l'intervalle de nettoyage. Cela peut causer l'outil de tomber du plafond. En cas de faibles quantités de poussière, le nettoyage peut être désactivé.

### 6.4 Insérer un sac filtrant en non-tissé

1. Déverrouiller les languettes de verrouillage et retirer la tête de moteur

2. Insérer le sac filtrant en non-tissé.

3. Placer la tête de moteur dessus et la verrouiller avec les languettes de verrouillage.

### 6.5 Insérer un sac d'élimination

1. Déverrouiller les languettes de verrouillage et retirer la tête de moteur

2. Insérer le sac d'élimination et l'introduire au-dessus du bord du récipient. Ce faisant, veiller à ce que les tous prévus au-dessus de la bride doivent être introduites au-dessus des électrodes de la coupure d'eau.

3. Lisser le sac d'élimination contre le côté intérieur du récipient, afin de perdre aussi peu de volume que possible.

4. Placer la tête de moteur dessus et la verrouiller avec les languettes de verrouillage.

### 6.6 Mise en marche de l'aspirateur

L'appareil permet 2 modes de fonctionnement.

- Mode standard (5) : L'aspirateur se met immédiatement en marche



- Mode automatique (6) : L'aspirateur est en mode de disponibilité opérationnelle pour des outils électriques et ne se met en marche qu'après le branchement d'un outil électrique à la prise de courant (7) et se met de nouveau à l'arrêt 5 sec. après le retrait de cet outil.

Dans les deux modes de fonctionnement, la puissance de l'aspirateur peut être réglée en continu de 100 % à 50 %.

Brancher la fiche de réseau de l'appareil. Amener le commutateur rotatif de l'appareil dans l'un des deux modes de fonctionnement.

### 6.7 Aspiration à sec

Voir la fig. 3-11.

Avant d'aspirer, s'assurer que la cartouche filtrante, l'aspirateur ainsi que les accessoires d'aspiration utilisés soient secs, afin d'éviter une adhésion et un encroûtement de poussière.

Pour l'aspiration à sec, l'utilisation d'un sac filtrant en non-tissé est recommandée, réf. art. : 102066 ou un sac d'élimination réf. art. 118.138.

Uniquement utiliser le sac filtrant et le sac d'élimination en relation avec la cartouche filtrante réf. art. : 118175.

**!** Avec CraftIX M, vous pouvez aspirer tous les types de poussière jusqu'à la classe de poussière M. L'utilisation d'un sac collecteur de poussière est prescrite par la loi lors de l'aspiration de poussières de la classe M.

### 6.8 Aspiration humide

**⚠** En cas d'échappement de mousse et de liquide, immédiatement mettre l'aspirateur à l'arrêt.

Voir la fig. 12-19

**⚠** Avant d'aspirer, s'assurer que les électrodes du capteur de niveau d'eau (fig. 39) soient propres et qu'un contact avec les contacts de réception dans la tête de moteur est établi. La cartouche filtrante est appropriée pour l'aspiration humide et doit rester installée afin de protéger le moteur contre des particules grossières.

Le capteur intégré coupe automatiquement le moteur en cas de récipient plein.

En cas d'aspiration principale d'eau, il est recommandé de désactiver la fonction de nettoyage (2) de l'aspirateur.

**!** En cas de liquides non conducteurs (comme, par ex. d'émulsion de perçage), l'appareil n'est pas coupé en cas de récipient plein. Le niveau de remplissage doit être contrôlé à temps et le récipient doit être vidé de manière correspondante.

Après l'aspiration humide, nettoyer l'élément filtrant principal avec le dispositif de nettoyage du filtre et vider la cuve (fig. 19), la nettoyer avec un chiffon humide et la sécher. Retirer la tête du moteur avec la cartouche filtrante de la cuve pour la sécher, sécher également les accessoires d'aspiration.

### 6.9 Travailler avec des outils électriques

Fig. 7, 40

**⚠** Faites attention à ce que les outils électriques branchés ne soient pas allumés. En cas de fiche de réseau branchée, indépendamment de la position de l'interrupteur, la fiche de courant sur l'aspirateur est sous tension.

1. Retirez le coude de tuyau d'aspiration
2. Retirez le manchon de fermeture du coude
3. Placez l'adaptateur d'outil sur le manchon du tuyau
4. Placez le manchon de fermeture au-dessus de l'adaptateur d'outil et verrouillez ce dernier.
5. Insérez l'adaptateur d'outil dans l'ouverture prévue à cet effet sur l'outil électrique.
6. Branchez l'outil électrique dans la prise de courant (7) de l'adaptateur.
7. Mettez l'interrupteur de commande sur l'aspirateur en mode automatique (6).

L'aspirateur est maintenant en mode de disponibilité opérationnelle et ne se met en marche qu'après le branchement d'un outil électrique à la prise de courant (7) et se met de nouveau à l'arrêt 5 sec. après le retrait de cet outil.

### 6.10 Mettre l'aspirateur à l'arrêt

Amener le commutateur rotatif en position « ARRÊT » (5). L'aspirateur est maintenant à l'arrêt. Après la mise à l'arrêt, débrancher la fiche de réseau et enrouler le câble de raccordement à partir de l'aspirateur.

La câble de raccordement peut, par ex. être enroulé au-dessus de l'étrier de poussée ou du crochet à tuyau.

Fixer le tuyau d'aspiration par insertion dans le dépôt d'accessoires sur la paroi arrière du récipient.

### 6.11 Après le fonctionnement

Vider le récipient et nettoyer l'aspirateur à l'intérieur et à l'extérieur en l'aspirant et en l'essuyant avec un chiffon humide.

## 7. NETTOYAGE ET MAINTENANCE

Assurez-vous que l'aspirateur soit toujours à l'arrêt et coupé du réseau en vue de l'entretien et de la maintenance. De l'acide, de l'acétone, des solvants et des produits d'entretien à teneur en silicone peuvent endommager des parties de l'aspirateur.

Aux fins de la maintenance par l'utilisateur, l'aspirateur doit être désassemblé, nettoyé et maintenu. Dans la mesure où cela est réalisable, sans pour autant prendre de risques concernant le personnel de maintenance et d'autres personnes. Des mesures de précaution appropriées incluent la décontamination avant le désassemblage, la prévention pour le système de ventilation filtrée localement, le nettoyage de la zone de maintenance et le port d'un équipement de protection individuelle adéquat. Au moins une fois par an, un contrôle de la technique de dépoussiérage doit être réalisé par le fabricant

ou une personne instruite en la matière, entra-autres concernant des dommages au niveau du filtre, l'étanchéité de l'aspirateur et le fonctionnement du dispositif de contrôle.

**Mesures de précaution pour les aspirateurs des classes M**  
L'extérieur de l'aspirateur doit être nettoyé par procédure d'aspiration d'aspirateur et essuyé avec un chiffon ou traité avec des produits d'étanchement avant d'être enlevé de la zone à danger. Toutes les parties de l'aspirateur doivent être considérées comme étant contaminées quand elles proviennent de la zone contaminée, et des mesures de précaution appropriées doivent être prises pour éviter une distribution de la poussière. Lors de l'exécution de travaux de maintenance ou de réparation, tous les objets contaminés ne pouvant pas être nettoyés de manière satisfaisante doivent être éliminés. De tels objets doivent être mis au rebut dans des sacs étanches, conformément aux dispositions en vigueur concernant l'élimination de tels déchets.

### 7.1 Remplacer un sac filtrant en non-tissé

Voir la fig. 8-11, 4-5

1. Fermer le raccord d'aspiration avec un bouchon d'obturation
2. Déverrouiller les languettes de verrouillage et retirer la tête de moteur.
3. Retirer le sac filtrant en non-tissé de la bride et le fermer de manière étanche avec le bouchon d'obturation.
4. Éliminer le sac filtrant en non-tissé utilisé conformément aux dispositions légales.
5. Insérer un nouveau sac filtrant en non-tissé et laisser le joint s'enclencher.
6. Placer la tête de moteur dessus et la verrouiller avec les languettes de verrouillage.

### 7.2 Remplacer un sac d'élimination

Voir la fig. 24 - 28

1. Fermer le raccord d'aspiration avec un bouchon d'obturation
2. Remettre l'aspirateur en marche et attendre le cycle de nettoyage, afin de décolmater la poussière résiduelle de la cartouche filtrante. Débranchez ensuite l'aspirateur. Afin de garantir la collecte de la poussière dans le récipient, attendez env. 30 sec.
3. Retirer le sac d'élimination de la bride le fermer de manière étanche avec le bouchon d'obturation
4. Fermer le sac d'élimination prudemment et de manière étanche avec le serre-câbles.
5. Éliminer le sac d'élimination utilisé conformément aux dispositions légales.
6. Insérer un nouveau sac d'élimination et l'introduire au-dessus du bord du récipient. Ce faisant, veiller à ce que les tous prévus au-dessus de la bride doivent être introduites au-dessus des électrodes de la coupure d'eau.
7. Placer la tête de moteur dessus et la verrouiller avec les languettes de verrouillage

### 7.3 Nettoyage des électrodes

Voir la fig. 39

Nettoyer les électrodes avec une brosse ou un chiffon.

### 7.4 Nettoyer le filtre d'air de refroidissement

Voir la fig. 38

Pour s'assurer que le moteur est suffisamment bien refroidi, il faut veiller à la propreté du filtre d'air de refroidissement. Autrement, il peut y avoir surchauffe et coupure consécutive de la protection thermique.

Aspirer le filtre d'air de refroidissement avec un aspirateur.

### 7.5 Remplacer le cartouche filtrante

Voir la fig. 29-35

L'outil pour le remplacement de filtre est situé sur le côté arrière du châssis.

1. Desserrez les 6 vis sur le côté inférieur de la tête de moteur le long de la bague de fixation. (ne pas les dévisser complètement)
2. Desserrer la bague de fixation et la prélever.
3. Retirer la cartouche filtrante et immédiatement l'enfermer dans un sac en plastique étanche aux poussières et l'éliminer conformément aux dispositions.
4. Insérer nouvelle cartouche filtrante réf. art. : 118175.
5. Monter la bague de fixation et la verrouiller en la tournant.
6. Serrez toutes les 6 vis.

### 7.6 Nettoyer le filtre d'air vicié

Voir la fig. 36-37

1. Retirez la cassette filtrante sur le côté arrière de la tête de moteur et retirez les filtres d'air vicié.
2. Nettoyer les filtres d'air vicié (aspirer, laver) ou les remplacer. Réf. art. 118103 ou 118174
3. Insérer des filtres d'air vicié neufs ou nettoyés et réinsérer la cassette filtrante dans la tête de moteur.

### 7.7 Nettoyer la cartouche filtrante

1. Retirer le tuyau d'aspiration.
2. Fermer le raccord d'aspiration avec un bouchon d'obturation.
3. Mettre l'aspirateur en marche et attendre le cycle de nettoyage, afin de décolmater la poussière résiduelle de la cartouche filtrante.

Si le filtre devait toujours encore ne pas être propre, remettez l'aspirateur en marche et attendre un cycle de nettoyage supplémentaire.

## 8. TRANSPORT

Retirez le tuyau d'aspiration et fermez la tubulure d'aspiration avec le bouchon obturateur.

Rangez les accessoires dans les compartiments prévus à cet

effet sur le côté arrière de l'aspirateur. Enroulez l'aspirateur avec le tuyau d'aspiration et utilisez le crochet à tuyau pour cela. Insérez les extrémités de tuyau l'une dans l'autre, afin d'éviter l'échappement de particules de saleté.

Enrouler le câble à partir de l'aspirateur et le poser autour de l'étrier de poussée ou le crochet à tuyau.

Lors du transport dans des véhicules, il faut veiller à ce que l'aspirateur soit sécurisé contre le glissement et le basculement, conformément aux directives respectives en vigueur.

## 9. RÉPARATION

⚠ Des aspirateurs n'ayant pas été réparés correctement constituent un danger pour l'utilisateur !

Faire uniquement effectuer des réparations par des personnes spécialisées, par ex. le service après-vente. Uniquement utiliser des pièces de rechange d'origine.

## 10. DÉFAUTS ET DÉPANNAGE

Assurez-vous que l'aspirateur soit toujours à l'arrêt et coupé du réseau en vue de la réparation.

Des dysfonctionnements ne sont pas toujours causés par des défauts de l'aspirateur.

Défaut	Cause	Solution
Baisse de la puissance d'aspiration	<p>Filtre principal encrassé</p> <p>Sac filtrant plein</p> <p>Récipient plein</p> <p>Buse, tube ou tuyau obturé</p> <p>Tubulure de récipient / Bride de sac filtrant obturée</p>	<p>Fermer le raccord d'aspiration avec un bouchon d'obturation et remettre l'aspirateur en marche et attendre un cycle de nettoyage pour décolmater la cartouche filtrante.</p> <p>Remplacer</p> <p>Vider</p> <p>Nettoyer</p> <p>Nettoyer</p>
L'aspirateur ne démarre pas	<p>Fiche de réseau pas dans la prise de courant</p> <p>Réseau hors tension</p> <p>Câble de raccordement défectueux</p> <p>Capteur d'eau désactivé</p> <p>Interrupteur de l'aspirateur sur « Auto »</p>	<p>Brancher la fiche de réseau</p> <p>Vérifier le fusible</p> <p>Remplacer</p> <p>Vider le récipient et nettoyer les électrodes voir « 5. Mettre l'aspirateur en marche »</p>
L'aspirateur ne démarre pas lors de l'activation de l'outil en mode « Auto »	<p>Outil électrique pas branché dans la prise de courant sur l'aspirateur</p> <p>L'outil n'atteint pas la puissance minimale de 20 W pour être détecté par l'aspirateur.</p>	<p>Brancher la fiche de réseau à la prise de courant sur l'aspirateur</p> <p>Utiliser l'aspirateur en mode continu</p>
Le sac d'élimination est aspiré contre la cartouche filtrante	<p>Le sac d'élimination n'est pas monté et inséré correctement.</p>	<p>Poser le sac d'élimination complètement sur le bord du récipient et appuyer la bride complètement sur le logement et introduire les trous prévus au-dessus des électrodes de la coupure d'eau.</p>
Avec sac filtrant de poussière inséré dans le récipient	<p>Le sac filtrant n'est pas monté correctement.</p>	<p>Complètement pousser le sac filtrant au-dessus de la bride de sac filtrant.</p>

## 11. ACCESSOIRES D'ORIGINE

Désignation de l'article	Particularités	N° d'article
Cartouche filtrante	HEPA 13	118175
Sac-filtrant en non-tissé (VE=5 pièces)		102066

Vous trouverez d'autres accessoires dans le plan des pièces détachées.

En option	N° d'article
Sac d'élimination (VE=5 pièces)	118138

1. Antes de la puesta en marcha	16
2. Símbolos en el manual de instrucciones	16
3. Indicaciones de seguridad importantes	16
4. Instrucciones de puesta a tierra	18
5. Elementos de indicación y de operación	19
6. Manejo	19
7. Limpieza y mantenimiento	20
8. Transporte	21
9. Reparación	22
10. Fallos y solución de problemas	22
11. Accesorios originales	22
12. Datos técnicos	23
13. Instrucciones de uso	24-33
14. Piezas de recambio	34-35

## 1. ANTES DE LA PUESTA EN MARCHA

Antes de utilizar el aparato por primera vez, lea y observe este manual de uso y las indicaciones de seguridad. No respetar las instrucciones de funcionamiento y las indicaciones de seguridad puede provocar daños en el aparato y suponer un peligro para el operador y otras personas.

El aparato permite aspirar tanto polvo como líquidos. Se trata de un aparato robusto, potente y fácil de manejar. Los accesorios incluidos lo convierten en una herramienta indispensable para una limpieza en profundidad y rápida. El aparato ha sido diseñado para ser utilizado en el ámbito comercial.

Las aspiradoras de la clase de polvo L son adecuadas para la aspiración/extracción de polvos secos, no inflamables y peligrosos con límites de exposición profesional (LEP) > 1 mg/m<sup>3</sup>. Limitación: no se permite la aspiración de sustancias cancerígenas.

## 2. SÍMBOLOS EN EL MANUAL DE INSTRUCCIONES

Símbolos utilizados en las instrucciones de funcionamiento



Nota



¡ADVERTENCIA!  
¡Peligro de lesiones!



¡ADVERTENCIA!  
Peligro por corriente eléctrica



No utilice detergentes que formen espuma



No aspire sustancias ardientes, ardientes (por ejemplo, cenizas de chimenea) o explosivas.

## 3. INDICACIONES DE SEGURIDAD IMPORTANTES



¡ADVERTENCIA!  
¡Peligro de lesiones!

- ⚠ Este aparato no está destinado a ser utilizado por personas con discapacidades físicas, sensoriales o mentales, o con falta de experiencia y conocimientos, a menos que hayan recibido instrucciones sobre el uso del aparato y estén supervisadas por una persona responsable de su seguridad.
- ⚠ Mantenga a los niños alejados del aspirador.
- ⚠ No permita que se utilice como juguete. Es necesario prestar mucha atención cuando sea utilizado por niños o cerca de ellos.
- ⚠ HEPA1035/HEPA1050 es adecuado para la extracción de polvos secos, no inflamables y nocivos para la salud de máquinas y aparatos. Restricción: No contiene sustancias cancerígenas.
- ⚠ Peligro por polvo nocivo. Enfermedades respiratorias por la inhalación de polvo. No aspire sin el filtro colocado, ya que de lo contrario existe un riesgo para la salud debido al aumento de las emisiones de polvo fino.
- ⚠ Nunca retire el cartucho de filtro mientras aspira. Riesgo de daños en el motor de aspiración por la entrada de polvo fino.
- ⚠ Los elementos del embalaje (por ejemplo, las bolsas de plástico) pueden constituir un peligro potencial para los niños y otras personas que no sean conscientes de sus acciones. Mantener fuera del alcance de los animales.
- ⚠ Cualquier uso no conforme con el previsto puede constituir un peligro y, por tanto, debe evitarse.
- ⚠ Monte correctamente el aparato antes de utilizarlo. Además, compruebe que los filtros (por ejemplo, el cartucho de filtro, etc.) están correctamente montados y desempeñan correctamente su función.
- ⚠ Compruebe que la toma de corriente es compatible con el enchufe del aparato. Utilice la aspiradora únicamente en una toma de corriente con conexión a tierra. Consulte las instrucciones de conexión a tierra.
- ⚠ Al utilizar el aparato, evite acercar la abertura de aspiración a partes más delicadas del cuerpo como los ojos, la boca, los oídos, etc.
- ⚠ Esta aspiradora ha sido diseñada para la limpieza en seco y en mojado de superficies de suelos y paredes.
- ⚠ Utilice los filtros recomendados cuando aspire materiales de construcción en seco.

- ⚠ No utilizar para aspirar materiales explosivos combustibles, como:
  - carbón, grano y otros materiales combustibles finamente divididos
  - disolventes inflamables o explosivos
  - sustancias impregnadas de disolvente
  - polvos explosivos
  - líquidos como gasolina, aceite, alcohol, diluyente
  - quemar o fumar, como cigarrillos, cerillas o cenizas calientes
  - sustancias más calientes que 113 F / 45 °C
- ⚠ El aparato no es adecuado utilizarse en entornos protegidos contra descargas electrostáticas.
- ⚠ Utilice solo los accesorios originales suministrados con el aparato.
- ⚠ No deje el aparato en funcionamiento sin vigilancia.
- ⚠ Apague inmediatamente el aparato en caso de fuga de líquido o espuma.
- ⚠ No aspire líquidos corrosivos, ya que éstos podrían dañar el aparato.
- ⚠ Temperatura ambiente admisible 14°F to 86°F / -10 °C - +30 °C
- ⚠ El mantenimiento y las reparaciones deben realizarse siempre por personal cualificado; las piezas dañadas deben sustituirse únicamente por piezas de recambio originales.
- ⚠ Se prohíbe cualquier modificación en o del aparato. Además de anular la garantía, las modificaciones pueden provocar incendios y lesiones, incluso mortales, al usuario.
- ⚠ El fabricante no asume ninguna responsabilidad por los daños causados a los bienes o a las personas como con-

**ADVERTENCIA:** Este aparato contiene polvo que es peligroso para la salud. El vaciado y el mantenimiento, incluida la retirada de la bolsa de polvo, sólo deben ser realizados por personas competentes que lleven un equipo de protección adecuado. No encienda el aparato hasta que se haya instalado el sistema de filtrado completo.

**ADVERTENCIA -** Para reducir el riesgo de incendio, descarga eléctrica o lesiones:

- a) No deje el aparato cuando esté enchufado. Desenchúfelo de la toma de corriente cuando no esté en uso y antes de realizar el mantenimiento.

**PRECAUCIÓN -** Para reducir el riesgo de lesiones por piezas móviles - Desenchufe antes de realizar el mantenimiento.

**ADVERTENCIA -** Para reducir el riesgo de descarga eléctrica - Utilizar sólo en interiores

**ADVERTENCIA - PARA REDUCIR EL RIESGO DE DESCARGA ELÉCTRICA - DESENCHUFE ANTES DE LIMPIAR O DAR SERVICIO.**

secuencia de no seguir o respetar estas instrucciones de uso o en caso de uso indebido del aparato.

- ⚠ Utilice siempre protección para los ojos cuando utilice el aspirador.
- ⚠ Extreme las precauciones cuando trabaje en escaleras.
- ⚠ ¡Manténgase alerta! No utilice el aspirador cuando esté cansado o bajo la influencia de drogas, alcohol o medicamentos.
- ⚠ Utilizar sólo como se describe en este manual. Utilice únicamente los accesorios recomendados por el fabricante.
- ⚠ Mantenga el pelo, la ropa suelta, los dedos y todas las partes del cuerpo alejados de las aberturas y de las piezas móviles.
- ⚠ No utilizar sin la bolsa de polvo y/o los filtros colocados.
- ⚠ No utilizar con el cable o el enchufe dañado. Si el aparato no funciona como debiera, ha sido golpeado, dañado, dejado al aire libre o se ha caído al agua, devuélvalo a un centro de servicio.



**¡ADVERTENCIA!**  
**Peligro por corriente eléctrica**

- ⚠ Cerca de todos los receptáculos: " Riesgo de incendio. No exceda (la corriente nominal del vacío) los amperios", o su equivalente.
- ⚠ Para los receptáculos "AUTO" situados en o cerca de los receptáculos: "Riesgo de lesiones. Cuando los aparatos conectados a este receptáculo se encienden, el (nombre de la aspiradora o aparato) se encenderá automáticamente", o su equivalente.
- ⚠ Guarde siempre el aspirador en el interior y no lo exponga a la lluvia, para evitar descargas eléctricas.
- ⚠ No tire del cable ni lo transporte, ni utilice el cable como asa, ni cierre una puerta sobre el cable, ni tire del cable alrededor de bordes o esquinas afilados. No pase el aparato por encima del cable. Mantenga el cable alejado de superficies calientes.
- ⚠ Ponga el interruptor en posición de apagado antes de desenchufar el cable de alimentación.
- ⚠ Para desenchufar el aparato, sujete el enchufe, no el cable.
- ⚠ No manipule el enchufe o el aparato con las manos mojadas.
- ⚠ Mantenga el cable alejado del calor y del aceite. No deje el cable tirado después de terminar el trabajo. Puede convertirse en un peligro de tropiezo.
- ⚠ No sumerja el aparato en agua ni lo lave con un chorro de agua para limpiarlo.
- ⚠ Antes de cualquier tipo de intervención o cuando el aparato esté desatendido o no se utilice, desconecte siempre el enchufe de la toma de corriente
- ⚠ Compruebe siempre que el cable de conexión no presente

daños, como grietas o signos de envejecimiento. Sustituya el cable antes de volver a utilizarlo.

- ⚠ Si el cable de conexión está dañado, debe ser sustituido por el fabricante, su servicio técnico o una persona cualificada para evitar cualquier peligro.
- ⚠ Cuando utilice un alargador eléctrico, compruebe que descansa sobre superficies secas y que está protegido de las salpicaduras de agua.
- ⚠ Utilice la toma de corriente del aspirador únicamente para los fines especificados en las instrucciones de uso. El fabricante no se responsabiliza de los daños causados por un uso incorrecto del aparato, por un funcionamiento inadecuado o por una reparación incorrecta. No utilice cables alargadores dañados
- ⚠ El voltaje que figura en la placa de características debe coincidir con el de la red eléctrica.

GUARDE ESTAS INSTRUCCIONES

#### 4. INSTRUCCIONES DE PUESTA A TIERRA

- Este aparato debe ser puesto a tierra. Si funciona mal o se estropea, la toma a tierra ofrece una ruta de menor resistencia para la corriente eléctrica para reducir el riesgo de una descarga eléctrica.
- Este aparato está equipado con un cable que tiene un conductor con toma a tierra para el equipo y un enchufe con toma a tierra.
- El enchufe se debe insertar en una clavija apropiada que esté instalada correctamente y puesta a tierra de acuerdo con los códigos y normativas locales.

#### ADVERTENCIA:

- Una conexión incorrecta del conductor del equipo de toma a tierra puede provocar una descarga eléctrica.
- Consulte a un electricista cualificado o a un técnico si tiene dudas acerca de si el enchufe tiene la toma a tierra correcta.
- No modifique el enchufe suministrado del aparato.
- Si no encaja en el enchufe, solicite a un electricista cualificado que instale un enchufe correcto.
- El aparato se usa con un circuito de 120 voltios y tiene un enchufe con toma a tierra que tiene el mismo aspecto que la ilustración A.
- Se puede usar un adaptador temporal como el de la ilustración B para conectar este enchufe a un receptáculo bipolar como se indica en la ilustración B si no hay un enchufe con toma a tierra correcto.
- El adaptador temporal sólo se debe usar hasta que el electricista cualificado haya instalado el enchufe con toma a tierra (fig. A).
- La orejeta verde rígida o similares que se extiende desde el adaptador se debe conectar a una toma permanente a tierra como una cubierta de caja con toma a tierra correcta.

Figura A

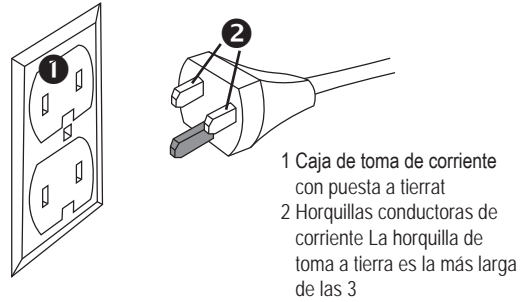
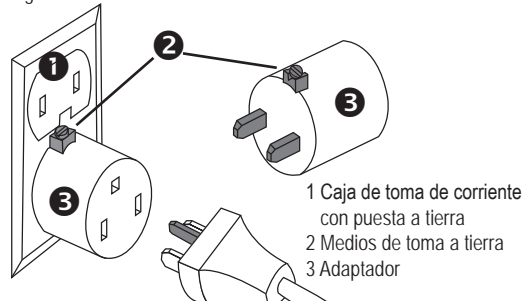


Figura B



**Nota:** En Canadá, el uso de un adaptador temporal no está permitido por el código canadiense de electricidad.

- Siempre que se use el adaptador se debe mantener sujeto con un tornillo metálico.

EN TODOS LOS CASOS, ASEGÚRESE DE QUE EL RECEPTÁCULO EN CUESTIÓN TIENE UNA TOMA A TIERRA CORRECTA.

**NO RETIRE LA TOMA A TIERRA DEL ENCHUFE DE ALIMENTACIÓN.**

#### CABLES ALARGADORES

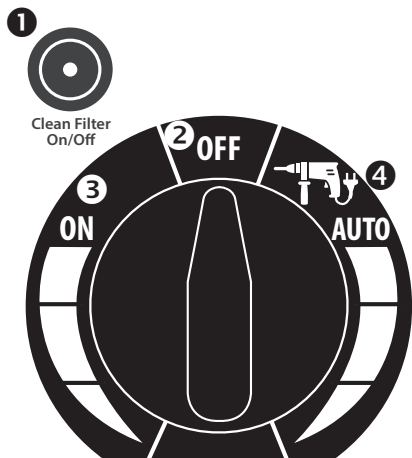
Usar sólo cables alargadores de tres alambres que tengan enchufes triples y el receptáculo tripolar que acepta el enchufe del aparato. Sustituir inmediatamente el cable dañado o usado.

**NO INTENTE REPARAR EL CABLE DE ALIMENTACIÓN.**



Los aparatos desechados contienen valiosos materiales reciclables que deben ser reciclados. Las pilas y baterías, el aceite y otras sustancias similares no deben diseminarse al medio ambiente. Por lo tanto, le rogamos que se deshaga de los aparatos viejos a través de los puntos de recogida adecuados.

## 5. ELEMENTOS DE INDICACIÓN Y DE OPERACIÓN



## 6. MANEJO

### 6.1 Antes de cada puesta en marcha

Antes de cada puesta en marcha, asegúrese de que no están dañados la aspiradora, el cable de alimentación, el tubo flexible de aspiración y los accesorios.

Asimismo, hay que asegurarse de que el cartucho de filtro está montado y no está dañado.

⚠ Asegúrese de que las herramientas eléctricas enchufadas no estén encendidas. La toma de corriente de la aspiradora tiene corriente mientras esté conectada la clavija de enchufe, independientemente de la posición del interruptor.

### 6.2 Ajuste del diámetro del tubo flexible de aspiración (sólo en las aspiradoras M)

Para que el dispositivo de aviso (3) funcione según lo prescrito, debe ajustarse siempre el diámetro del tubo flexible de aspiración utilizado desde el interruptor giratorio (1).

### 6.3 Limpieza permanente del filtro

La aspiradora está equipada con válvulas electromagnéticas que limpian el cartucho de filtro mediante el retroceso del aire. En cada ciclo de limpieza se limpian las dos cámaras del cartucho de filtro 2 veces cada una. La limpieza se realiza de forma automática cada 30 segundos después del último ciclo de limpieza.

En caso de que no se necesite una limpieza continua debido a un bajo nivel de polvo, puede desconectarla desactivando la función de limpieza (2).

La limpieza está activa cuando se enciende el indicador luminoso (2) del panel de control.

Al trabajar por encima de la cabeza con, por ejemplo, amo-

1. Conexión / desconexión de la función de limpieza (incl. indicador luminoso)

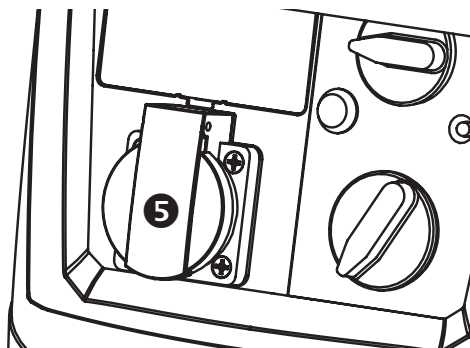
2. Aparato apagada

3. Funcionamiento normal

4. Funcionamiento automático con una herramienta conectada

5. Toma de corriente (máx. 6 A\*)

\* La aspiradora y las herramientas eléctricas juntas no deben consumir más de 15 A



ladoras de cuello largo, asegúrese de que se reduzca brevemente la aspiración durante el intervalo de limpieza. Esto puede hacer que la herramienta se caiga del techo. Si la cantidad de polvo es pequeña, puede desconectarse la función de limpieza.

### 6.4 Colocación de la bolsa de filtro de vellón

1. Abra las lengüetas de bloqueo y retire la tapa del motor.
2. Coloque la bolsa de filtro de vellón.
3. Coloque la tapa del motor y ciérrela con las lengüetas de bloqueo.

### 6.5 Colocar la bolsa de residuos

1. Abra las lengüetas de bloqueo y retire la tapa del motor.
2. Coloque la bolsa de residuos y pliegue el borde de la bolsa sobre el borde del depósito. Observe que los agujeros previstos encima de la brida deben colocarse sobre los electrodos para el corte de agua.
3. Extienda la bolsa de residuos contra el interior del depósito para que se pierda el menor volumen posible.
4. Coloque la tapa del motor y ciérrela con las lengüetas de bloqueo.

### 6.6 Encender la aspiradora

El aparato permite dos modos de funcionamiento.

- Modo de funcionamiento normal (5): la aspiradora se enciende inmediatamente
- Modo de funcionamiento automático (6): la aspiradora se



encuentra en modo de espera para las herramientas eléctricas y sólo se pone en marcha cuando se enciende una herramienta eléctrica conectada a la toma de corriente (7) y se vuelve a apagar 5 segundos después de que se vuelva a apagar la herramienta eléctrica.

La potencia de la aspiradora es ajustable de forma continua del 100% al 50% en ambos modos de funcionamiento.

Enchufe la clavija de enchufe del aparato. Sitúe el interruptor giratorio del aparato en uno de los dos modos de funcionamiento.

### 6.7 Aspiración en seco

Véase la fig. 3-11.

Antes de aspirar, asegúrese de que el cartucho de filtro, la aspiradora y los accesorios de aspiración utilizados estén secos para evitar que el polvo se pegue y se incruste.

Para la aspiración en seco se recomienda utilizar una bolsa de filtro de vellón n.º de art.: 102066 o una bolsa de residuos n.º de art.: 118.138.

Utilizar la bolsa de filtro y la bolsa de residuos sólo en combinación con el cartucho de filtro n.º de art.: 118175.

⚠ Con la aspiradora CraftiX M se puede aspirar todo tipo de polvo hasta de la clase de polvo M. La ley exige el uso de una bolsa de recogida de polvo cuando se aspira polvo de clase M.

### 6.8 Aspiración en mojado

⚠ En caso de que salga espuma o líquido, apague inmediatamente la aspiradora.

Véase la fig. 12-19.

⚠ Antes de aspirar, asegúrese de que los electrodos del sensor de nivel de agua (Fig. 39) estén limpios y de que hagan contacto con los contactos de la tapa del motor.

El cartucho de filtro es adecuado para la aspiración en mojado, y no debe quitarse para proteger el motor de las partículas gruesas.

El sensor incorporado apaga automáticamente el motor cuando el depósito está lleno.

Si se aspira principalmente agua, se recomienda desactivar la función de limpieza (2) de la aspiradora.

⚠ En el caso de los líquidos no conductores (por ejemplo, la taladrina), el aparato no se desconecta al llenarse el depósito. Es necesario comprobar a tiempo el nivel de llenado y vaciar el depósito convenientemente.

Después de la aspiración en húmedo, limpie el elemento filtrante principal con el dispositivo de limpieza del filtro y vacíe el recipiente (Fig. 19), límpielo con un paño húmedo y séquelo. Saque el cabezal del motor con el cartucho de filtro del recipiente para que se seque, secando también los accesorios de aspiración.

### 6.9 Trabajar con herramientas eléctricas

Fig. 7, 40

⚠ Asegúrese de que las herramientas eléctricas enchufadas no estén encendidas. La toma de corriente de la aspiradora tiene corriente mientras esté conectada la clavija de enchufe, independientemente de la posición del interruptor.

1. Retire el codo del tubo flexible de aspiración.
2. Retire el manguito de cierre del codo.
3. Inserte el adaptador de la herramienta en el conector de tubo flexible.
4. Inserte el manguito de cierre sobre el adaptador de la herramienta y fjelo.
5. Introduzca el adaptador de la herramienta en la abertura prevista en la herramienta eléctrica.
6. Enchufe la herramienta eléctrica en la toma (7) de la aspiradora.
7. Sitúe el interruptor de control de la aspiradora en el modo automático (6).

En esta posición, la aspiradora se encuentra en modo de espera para las herramientas eléctricas y sólo se pone en marcha cuando se enciende una herramienta eléctrica conectada a la toma de corriente (7) y se vuelve a apagar 5 segundos después de que se vuelva a apagar la herramienta eléctrica.

### 6.10 Apagar la aspiradora

Coloque el interruptor giratorio en la posición de apagado "OFF" (5). La aspiradora está apagada. Después de apagarla, desenchufe la clavija de enchufe y enrolle el cable de alimentación empezando desde el lado de la aspiradora.

El cable de alimentación puede enrollarse, por ejemplo, en el asa de empuje o en el gancho para el tubo flexible.

Fije el tubo flexible de aspiración introduciéndolo en el receptáculo de accesorios situado en la pared posterior del depósito.

### 6.11 Después del uso

Vacíe el depósito y limpie el interior y el exterior de la aspiradora aspirando y limpiando con un paño húmedo.

## 7. LIMPIEZA Y MANTENIMIENTO

Asegúrese de que la aspiradora esté siempre apagada y desconectada de la red eléctrica a la hora de su cuidado y mantenimiento. El ácido, la acetona, los disolventes y los productos de conservación que contienen silicona pueden dañar los componentes de la aspiradora.

Para los trabajos de mantenimiento por parte del usuario, es necesario desmontar la aspiradora, limpiarla y revisarla. En la medida de lo posible, sin causar peligro al personal de mantenimiento y a otras personas. Entre las precauciones adecuadas se incluyen la descontaminación antes del desmontaje, disponer de una ventilación local de aire forzado filtrado en el lugar donde se desmonte la aspiradora, la limpieza de la zona en la que se efectuará el mantenimiento y la utilización de un equipo de protección personal adecuado.



Al menos una vez al año, el fabricante o una persona cualificada debe realizar una inspección relacionada con el polvo, por ejemplo, para comprobar si el filtro está dañado, la estanqueidad de la aspiradora y el funcionamiento del dispositivo de control.

### **Medidas de precaución que deben tomarse con las aspiradoras de la clase M**

Antes de retirar la aspiradora del área potencialmente peligrosa, es necesario limpiar el polvo y pasar un trapo o tratar con un sellador. Todas las piezas de la aspiradora deben considerarse como contaminadas cuando se retiran de la zona contaminada y deben tomarse las precauciones adecuadas para evitar la dispersión del polvo.

Al realizar trabajos de mantenimiento o reparación, deben desecharse todos los elementos u objetos contaminados que no puedan limpiarse adecuadamente. Estos objetos deben desecharse en bolsas impermeables de acuerdo con la normativa aplicable para la eliminación de este tipo de residuos.

#### **7.1 Cambiar la bolsa de filtro de vellón**

Véase la fig. 8-11, 4-5

1. Tapone la conexión de aspiración con el tapón de cierre.
2. Abra las lengüetas de bloqueo y retire la tapa del motor.
3. Retire la bolsa de filtro de vellón de la brida y ciérrela bien con el capuchón.
4. Deseche la bolsa de filtro de vellón usada de acuerdo con la normativa legal.
5. Coloque la nueva bolsa de filtro de vellón y encaje la junta.
6. Coloque la tapa del motor y ciérrela con las lengüetas de bloqueo.

#### **7.2 Cambiar la bolsa de residuos**

Véase la fig. 24 - 28

1. Tapone la conexión de aspiración con el tapón de cierre.
2. Vuelva a encender la aspiradora y espere a que el ciclo de limpieza limpie el polvo residual del cartucho de filtro. A continuación, desenchufe la aspiradora. Espere aproximadamente 30 segundos para que el polvo se asiente en el depósito.
3. Retire la bolsa de residuos de la brida y ciérrela bien con el capuchón.
4. Cierre con cuidado la bolsa de residuos con la brida para cables que se incluye.
5. Deseche la bolsa de residuos usada de acuerdo con las disposiciones legales al respecto.
6. Coloque una nueva bolsa de residuos y pliegue el borde de la bolsa sobre el borde del depósito. Observe que los agujeros previstos encima de la brida deben colocarse sobre los electrodos para el corte de agua.
7. Coloque la tapa del motor y ciérrela con las lengüetas de bloqueo.

#### **7.3 Limpieza de los electrodos**

Véase la fig. 39

Utilice un cepillo o un paño para limpiar los electrodos.

#### **7.4 Limpiar el filtro de aire de refrigeración**

Véase la fig. 38

Para asegurarse de que el motor se enfría lo suficiente, compruebe que el filtro de aire de refrigeración está limpio. De lo contrario, puede producirse un sobrecalentamiento y, con ello, la desconexión provocada por la activación de la protección térmica.

Aspire el filtro de aire de refrigeración con una aspiradora.

#### **7.5 Cambiar el cartucho de filtro**

Véase la fig. 29-35.

La herramienta para cambiar el filtro se encuentra en la parte trasera del aparato.

1. Afloje los 6 tornillos de la parte inferior de la tapa del motor a lo largo del anillo de montaje. (No desenroscar completamente)
2. Gire el anillo de montaje para aflojarlo y, a continuación, retírelo.
3. Retire el cartucho de filtro y guárdelo inmediatamente en una bolsa de plástico cerrada y hermética al polvo y deséchelo según lo previsto al respecto.
4. Coloque un cartucho de filtro nuevo, n.º art.: 118175.
5. Coloque el anillo de montaje y fíjelo girándolo.
6. Apriete los 6 tornillos.

#### **7.6 Limpiar el filtro de aire de salida**

Véase la fig. 36-37

1. Retire el cartucho de filtro de la parte posterior de la tapa del motor y retire los filtros de aire de salida.
2. Limpie el filtro de aire de salida (aspire, lave) o sustitúyalo. N.º de art. 118103 o 118174
3. Introduzca los filtros de aire de salida nuevos o limpios y vuelva a colocar el cartucho de filtro en la tapa del motor.

#### **7.7 Limpiar el cartucho de filtro**

1. Retire el tubo flexible de aspiración.
2. Tapone la conexión de aspiración con el tapón de cierre.
3. Encienda la aspiradora y espere a que el ciclo de limpieza limpie el polvo residual del cartucho de filtro.

Si el filtro sigue sin estar limpio, vuelva a encender la aspiradora y espere a que se realice otro ciclo de limpieza.

## **8. TRANSPORTE**

Retire el tubo flexible de aspiración y cierre la toma de aspiración con el tapón de cierre.

Guarde los accesorios en los compartimentos de almacenamiento de accesorios previstos en la parte trasera de la aspiradora. Enrolle el tubo flexible de aspiración alrededor de la aspiradora y utilice para ello los ganchos para el tubo flexible.

Junte los extremos del tubo flexible para evitar que salgan partículas de suciedad.

Enrole el cable empezando desde la aspiradora y colóquelo alrededor del asa de empuje o del gancho para el tubo flexible.

Al transportarla en un vehículo, asegúrese de que la aspiradora quede bien asegurada para evitar que se deslice o vuelque, de acuerdo con las normas vigentes.

## 9. REPARACIÓN

⚠ Una aspiradora que no haya sido reparada correctamente supone un peligro para el usuario.

**Las reparaciones sólo deben ser realizadas por personal cualificado, por ejemplo, el servicio de atención al cliente. Solo utilice piezas de recambio originales.**

## 10. FALLOS Y SOLUCIÓN DE PROBLEMAS

Para la reparación, asegúrese de que la aspiradora esté siempre apagada y desconectada de la red eléctrica.

Los fallos de funcionamiento no siempre se deben a defectos en la aspiradora.





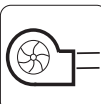
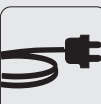

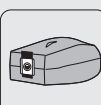


Fallo	Causa	Subsanación
Disminución de la potencia de aspiración	El filtro principal está sucio	Tape la conexión de aspiración con el tapón de cierre y vuelva a encender la aspiradora y espere a que se realice el ciclo de limpieza para limpiar el cartucho de filtro.
	La bolsa de filtro está llena El depósito está lleno La boquilla, los tubos o el tubo flexible están obstruidos Boquilla del depósito / brida de la bolsa de filtro obstruidas	Cambiar Vaciar Limpiar Limpiar
La aspiradora no se pone en marcha	La clavija de enchufe no está enchufada en la toma de corriente Red eléctrica sin tensión El cable de alimentación es defectuoso El sensor de agua está desconectado Interruptor de la aspiradora en la posición "Automático"	Enchufar la clavija de enchufe Comprobar el fusible Reemplazar Vaciar el depósito y limpiar los electrodos véase "5. Encender la aspiradora"
Al encender la herramienta, la aspiradora no se pone en marcha en el modo "Automático".	La herramienta eléctrica no está conectada a la toma de corriente de la aspiradora La herramienta no alcanza la potencia mínima de 20 W para ser detectada por la aspiradora.	Enchufe la clavija de enchufe en la toma de corriente de la aspiradora Utilizar la aspiradora en el modo de funcionamiento continuo
La bolsa de residuos es aspirada contra el cartucho de filtro	La bolsa de residuos no está bien introducida y colocada.	Coloque la bolsa de residuos completamente sobre el borde del depósito y presione la brida completamente sobre la toma y pase los agujeros previstos sobre los electrodos para el corte de agua.
Aspiradora de la clase de polvo M: entra polvo en el depósito estando colocada la bolsa de filtro El dispositivo de aviso se activa continuamente.	La bolsa de filtro no está bien montada.	Presione la bolsa de filtro completamente sobre la brida de la bolsa de filtro.
	El cartucho de filtro está obstruido	Tape la conexión de aspiración con el tapón de cierre y vuelva a encender la aspiradora y espere a que se realice el ciclo de limpieza para limpiar el cartucho de filtro.
	El tubo flexible de aspiración está obstruido El depósito está lleno Se ha seleccionado un diámetro de tubo flexible incorrecto	Retire el material aspirado del tubo flexible. Vaciar el depósito Ajuste el diámetro de tubo flexible correcto.

## 11. ACCESORIOS ORIGINALES

Denominación del artículo	Características específicas	N.º de artículo
Cartucho de filtro	HEPA 13	118175
Bolsa de filtro de vellón (und. de embalaje = 5 unds.)		102066

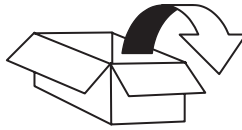
Encontrará más accesorios en el plano de piezas de recambio.

Opcional	Item no.
Bolsa de residuos	118138

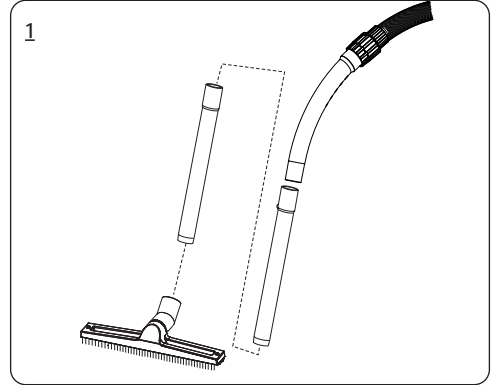
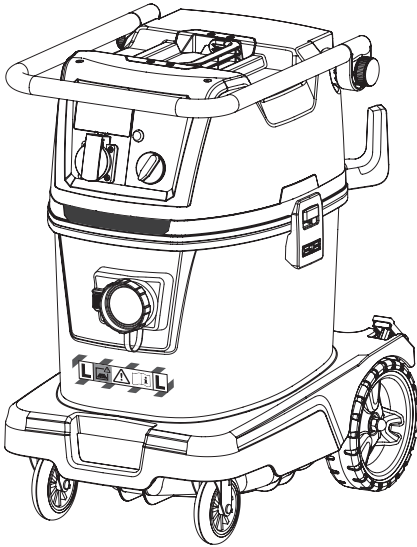
	<b>HEPA1035</b>	<b>HEPA1050</b>
	120V 50-60Hz	120V 50-60Hz
	rated power 1080 W / 9 A	rated power 1080 W / 9 A
	LpA=74 dB(A) <sup>1</sup>	LpA=74 dB(A) <sup>1</sup>
	92 in / 2345 mm/H2O 100 in / 2549 mm/H2O	92 in / 2345 mm/H2O 100 in / 2549 mm/H2O
	157 CFM	157 CFM
	SJOW 3/14 AWG 33 ft	SJOW 3/14 AWG 33 ft
	9.3 gal / 35 l	13.2 gal / 50 l
	5.3 gal / 20 l	7.9 gal / 30 l
	33 lbs / 15 kg <sup>2</sup>	35 lbs / 16 kg <sup>2</sup>
	21.3 x 15.4 x 25 540 x 390 x 635 in / mm	21.3 x 15.4 x 30.3 540 x 390 x 770 in / mm

<sup>1</sup> LpA=2 dB, KWA=89 dB(A), KpA=2 dB

<sup>2</sup> Suction cup incl. supply cable

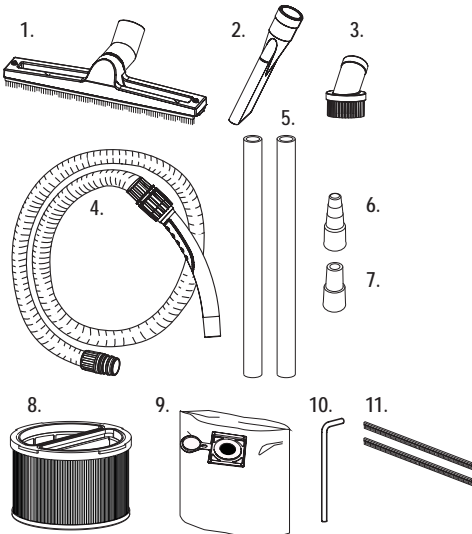


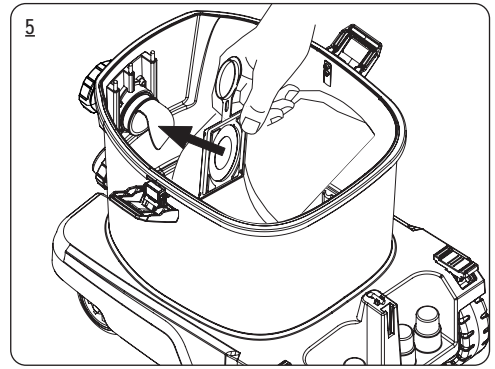
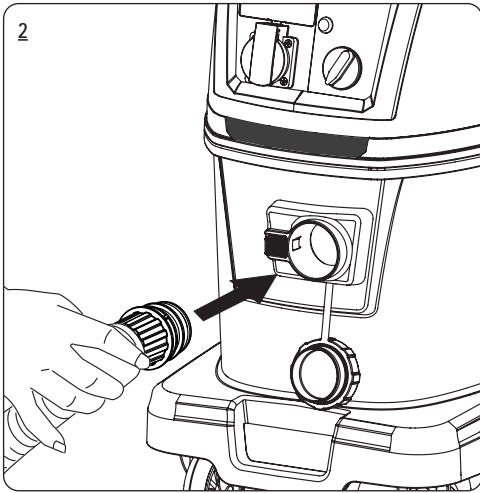
# HEPA1035/HEPA1050



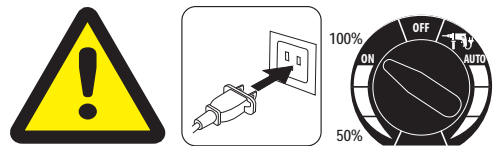
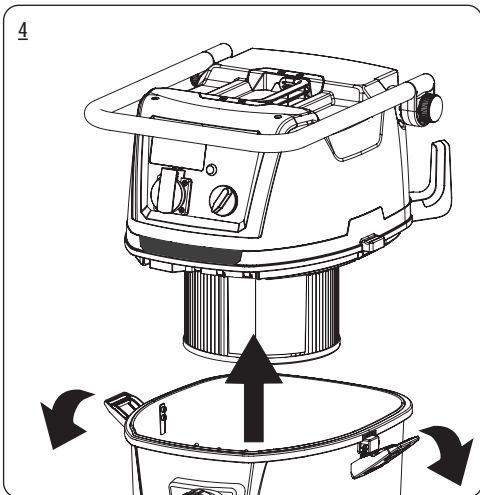
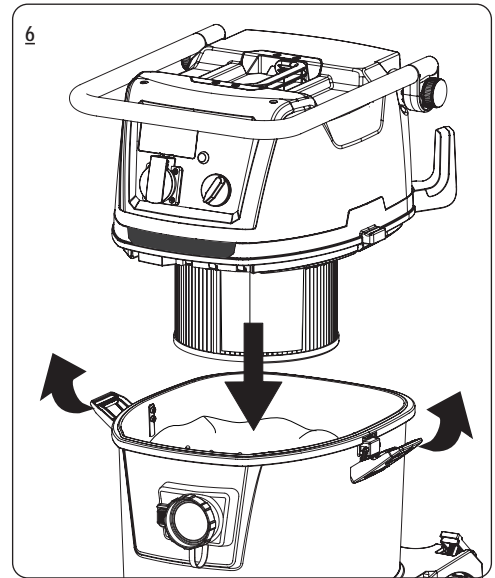
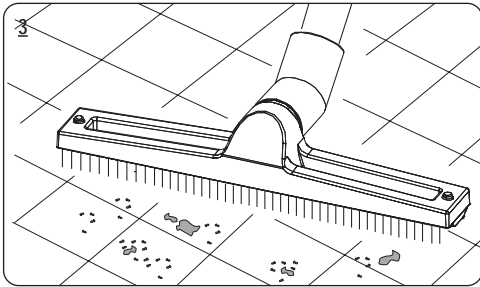
## STANDARD ACCESSORIES:

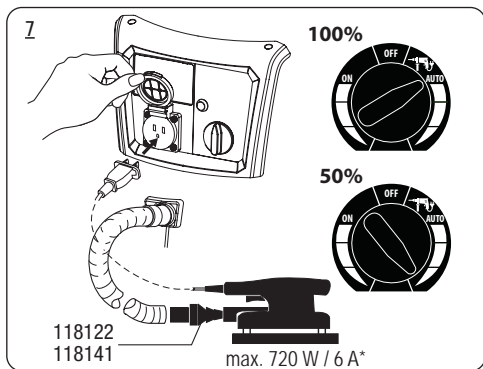
1. Dry Floor Nozzle
2. Crevice Nozzle
3. Round Brush
4. Hose Assembly 16.4ft (5m) / 1.5" (38mm)
5. Stainless Steel Wand Set (2pc Set)
6. Rubber Adapter #1 0.83" / 0.98" / 1.26" (21mm/25mm/32mm)
7. Rubber Adapter #2 1.5" / 1.69" (38mm/43mm)
8. Filter
9. Fleece Filter Bag
10. Hex Key
11. Rubber Strips (2pc Set)





**DRY CLEANING / NETTOYAGE À SEC  
LIMPIEZA EN SECO**

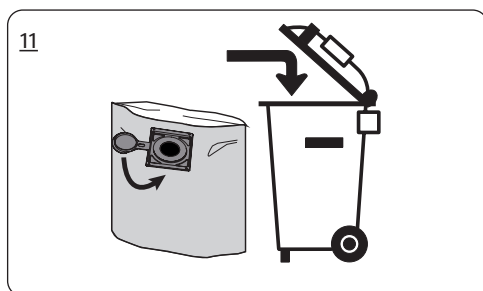
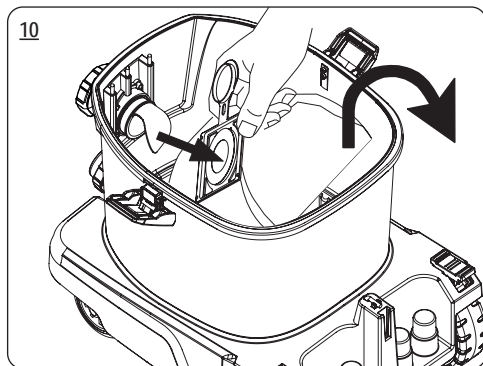
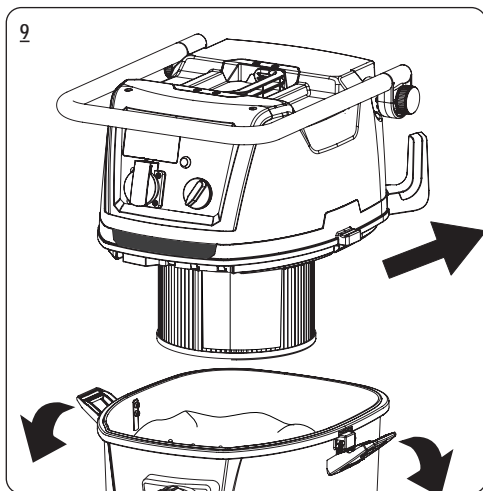
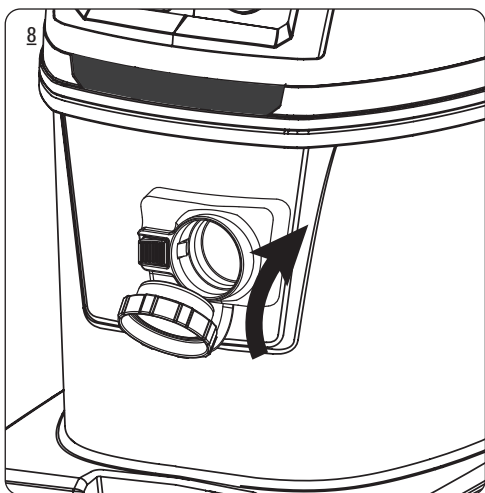
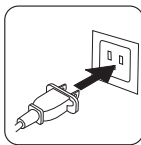




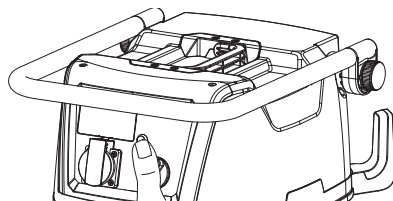
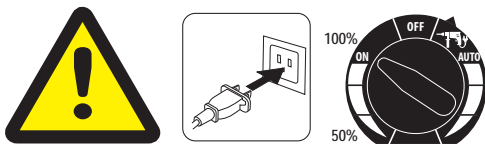
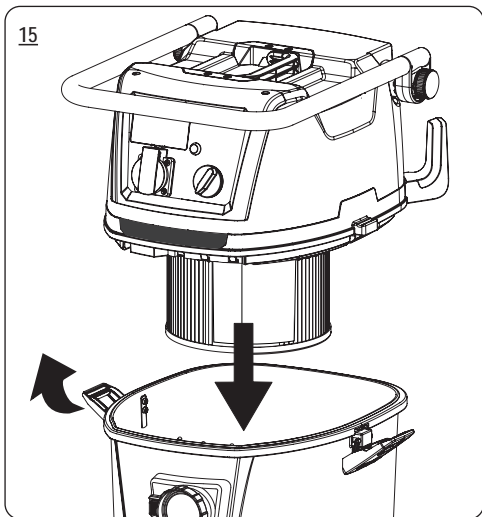
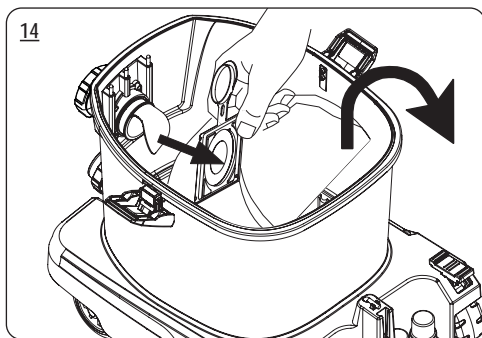
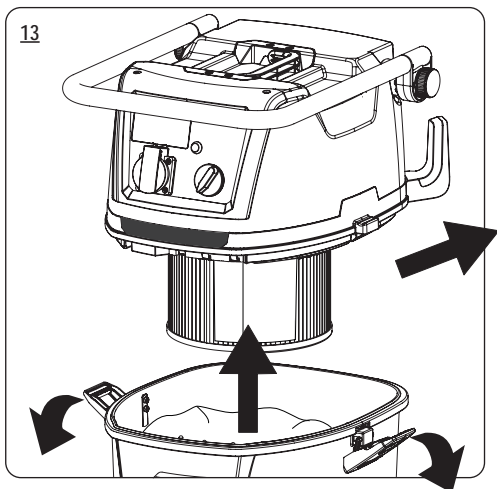
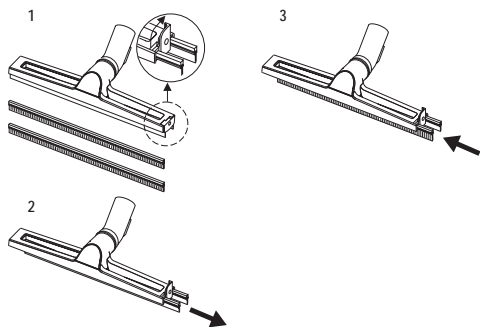
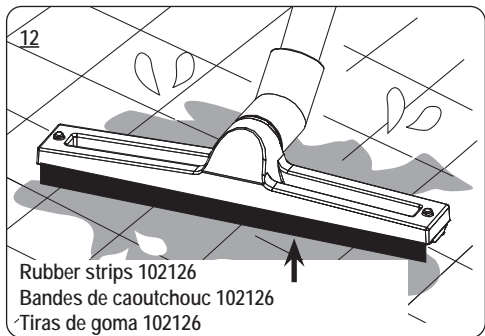
\* Vacuum cleaner and power tools together should not consume more than 15 A

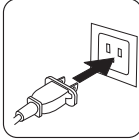
\* L'aspirateur et les outils électriques ne doivent pas consommer plus de 15 A ensemble

\* La aspiradora y las herramientas eléctricas juntas no deben consumir más de 15 A



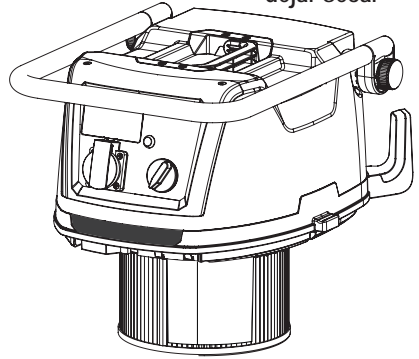
WET CLEANING / NETTOYAGE HUMIDE  
LIMPIEZA EN HÚMEDO



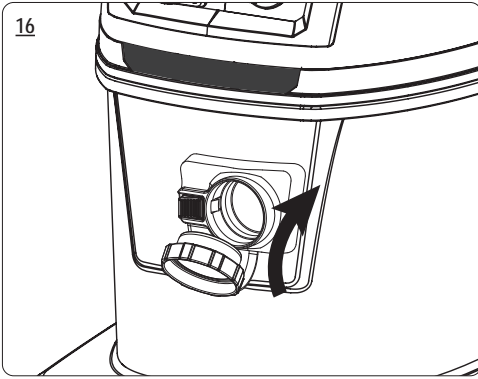


18

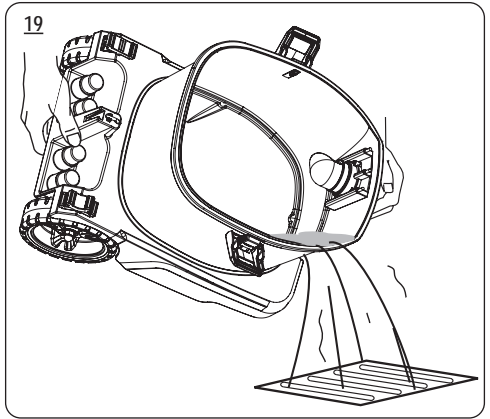
Let it dry  
Laissez-le sécher  
dejar secar



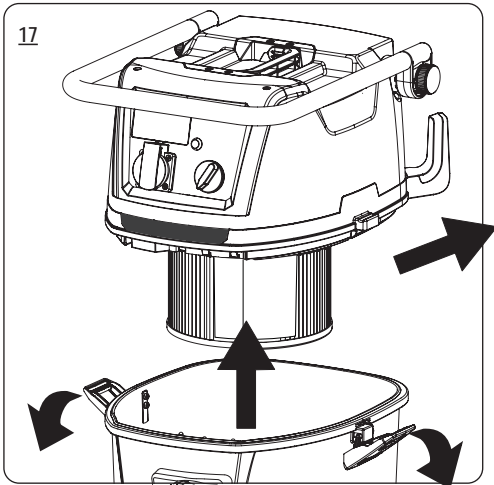
16



19

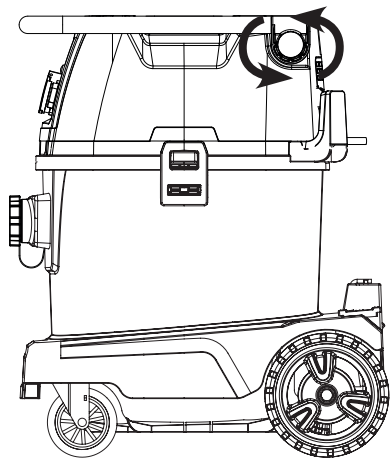


17

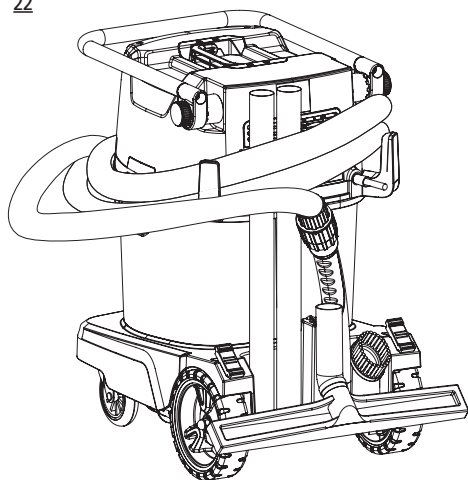




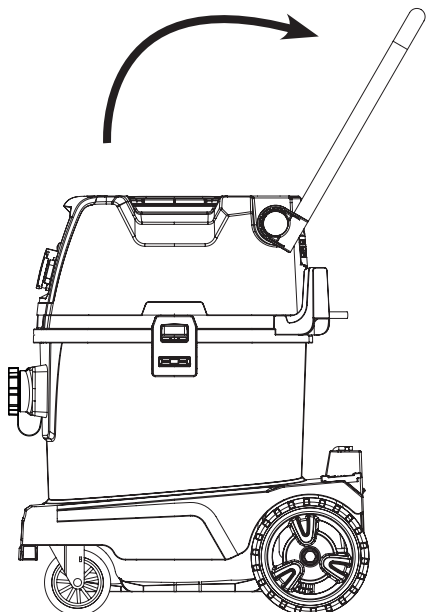
20



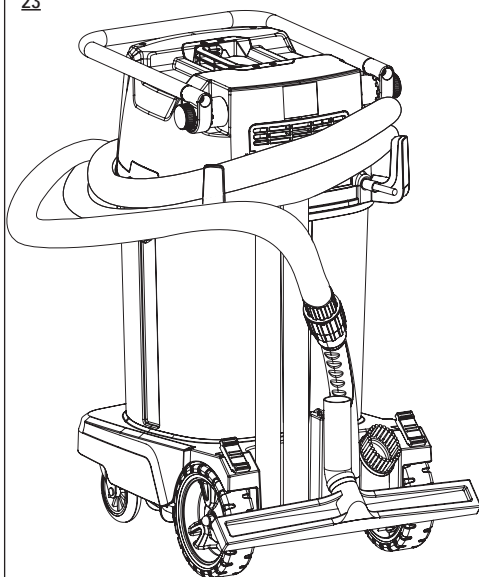
22



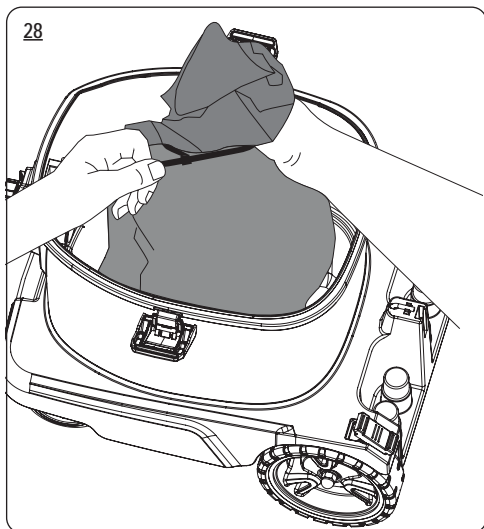
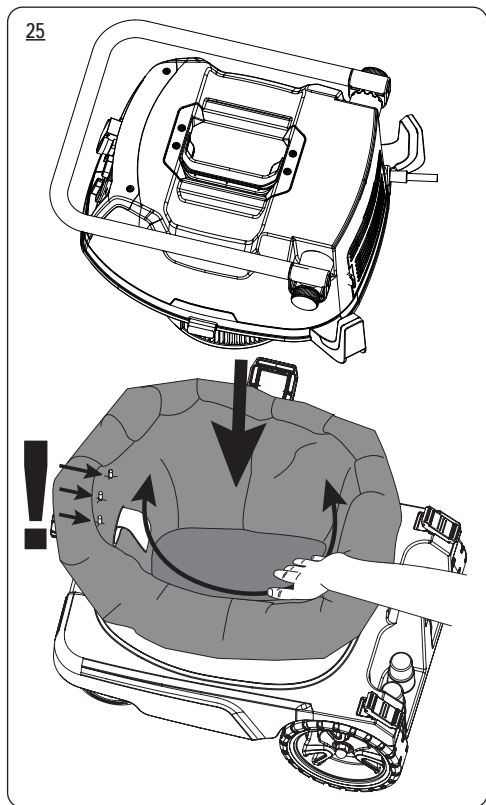
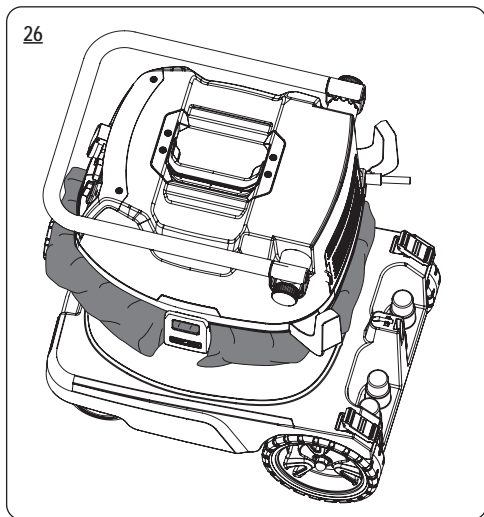
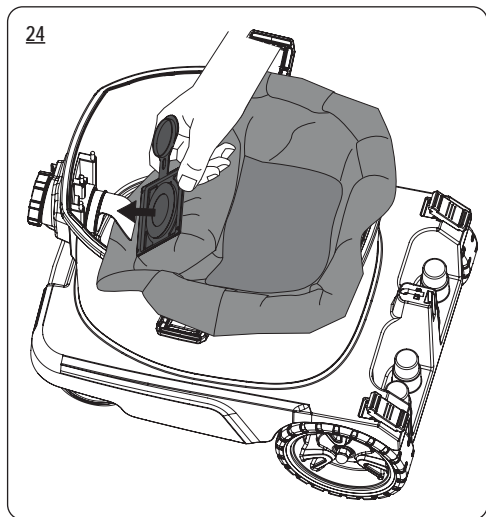
21



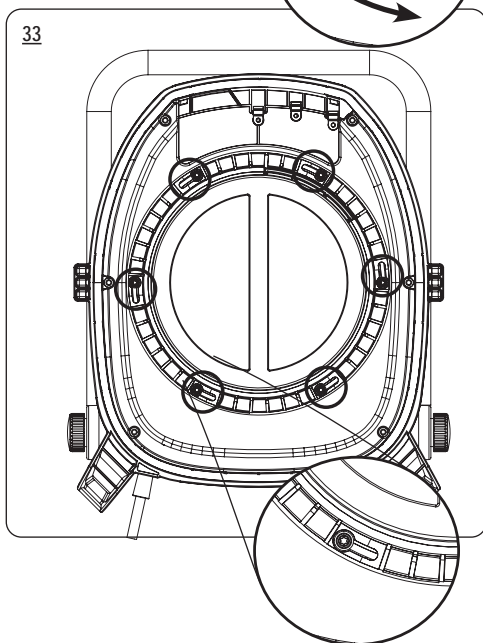
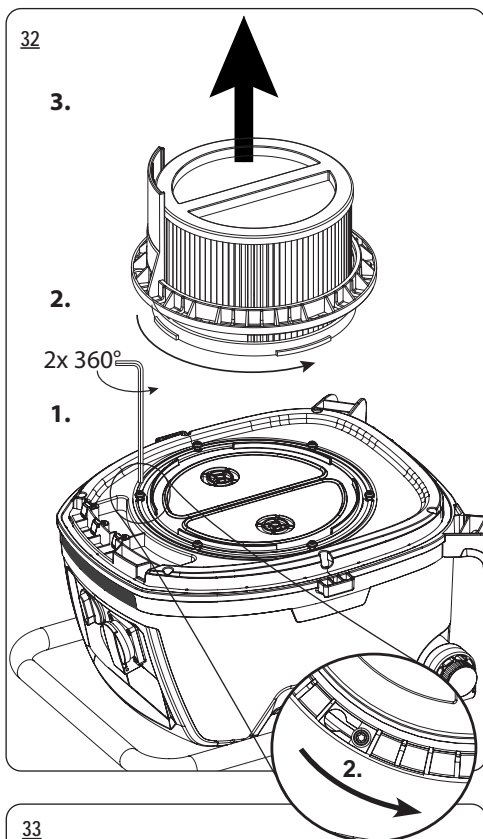
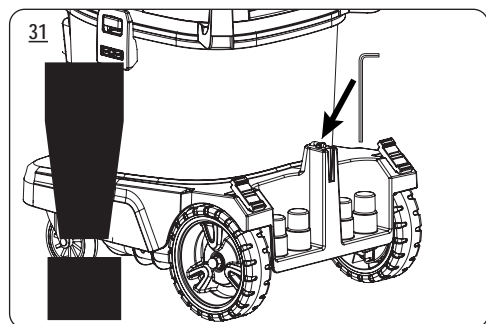
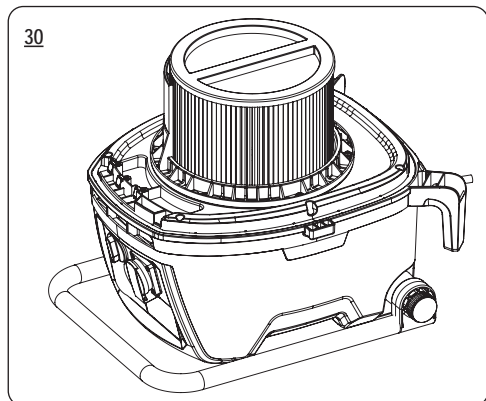
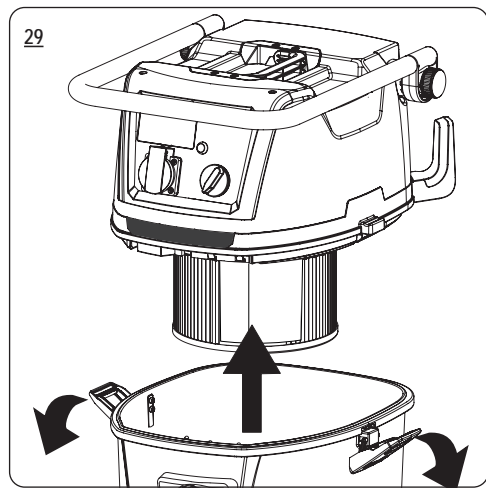
23

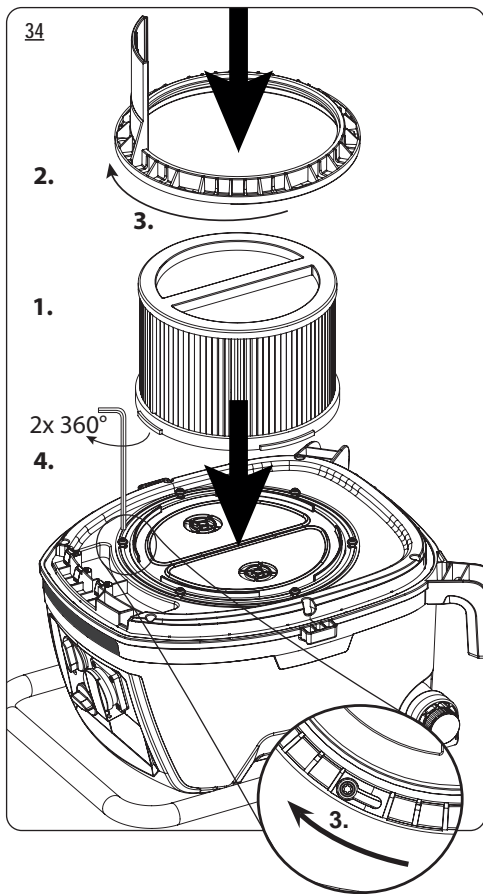


Insert / remove waste bag (optional) / Insérer / retirer le sac d'élimination (facultatif) /  
Introducir/extraer la bolsa de basura (opcional)

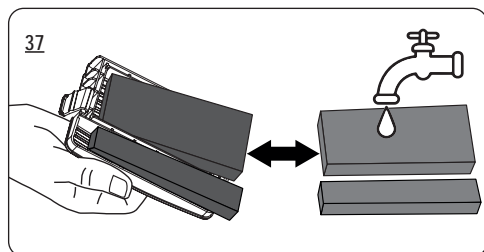
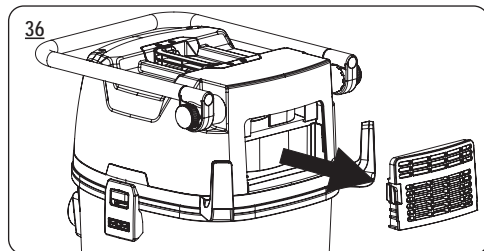


Mounting filter / Montage de la cartouche filtrante  
filtrante / Montaje del cartucho filtrante

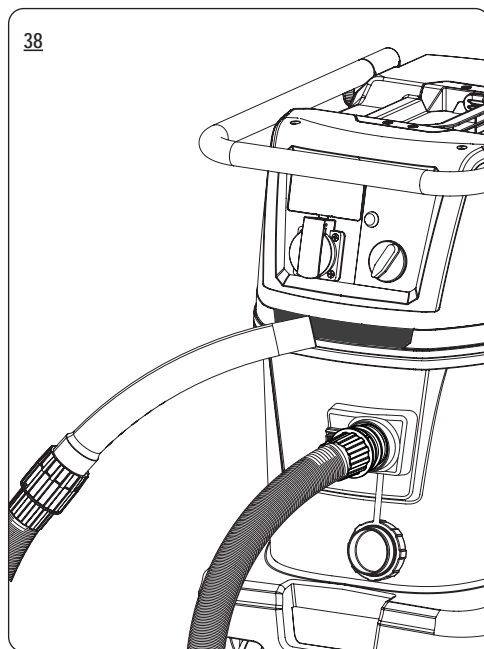
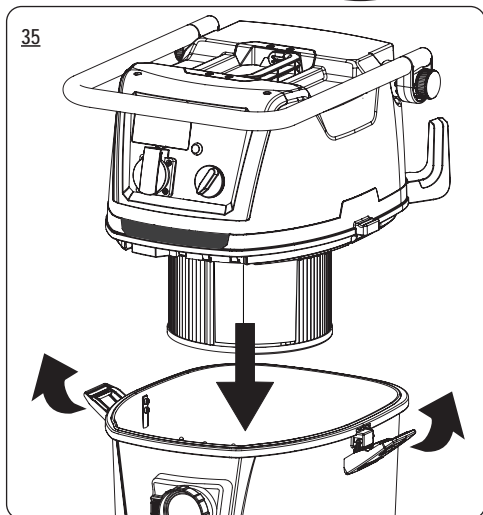




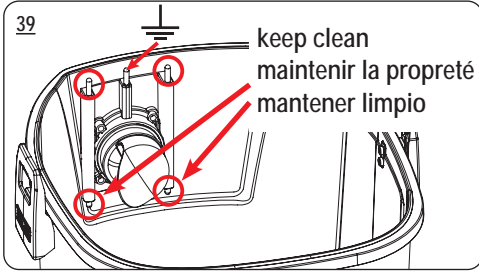
**Cleaning filter sponge**  
**Nettoyage du filtre à air d'échappement**  
**Limpeza del filtro de aire de escape**



**Cleaning the cooling air filter**  
**Nettoyage du filtre à air de refroidissement**  
**Limpeza del filtro de aire de refrigeración**



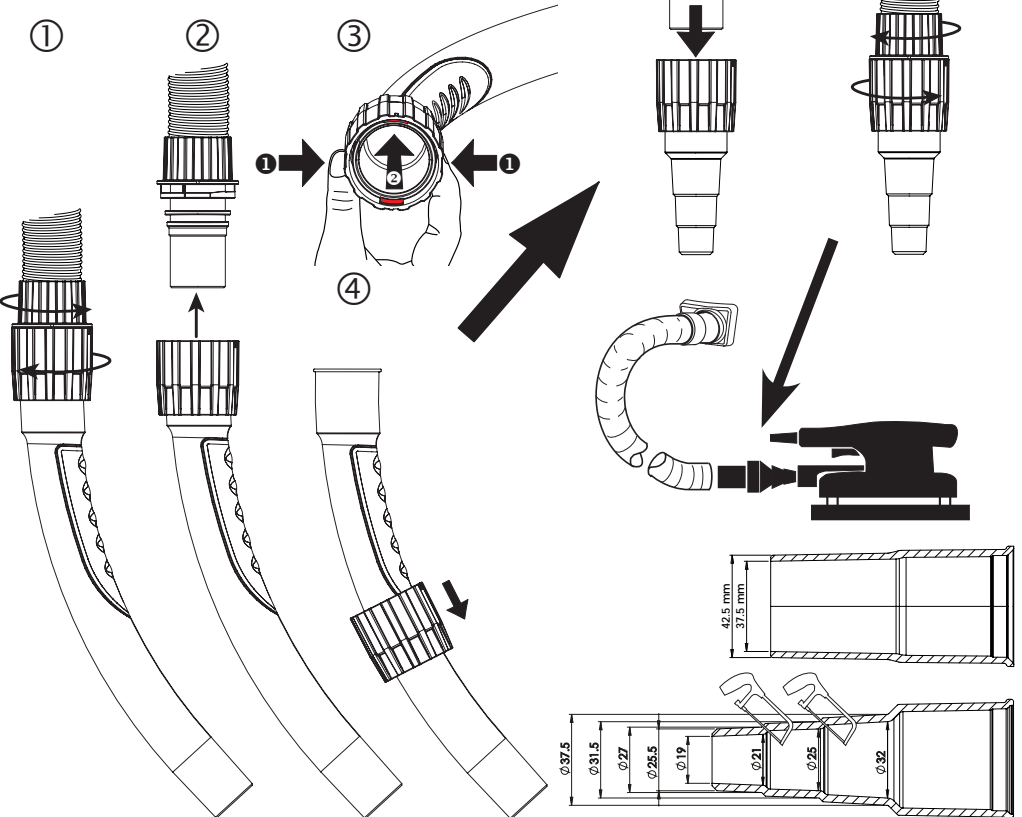
**Cleaning water level sensors**  
**Nettoyage des capteurs de niveau d'eau**  
**Limpieza de los sensores de nivel de agua**



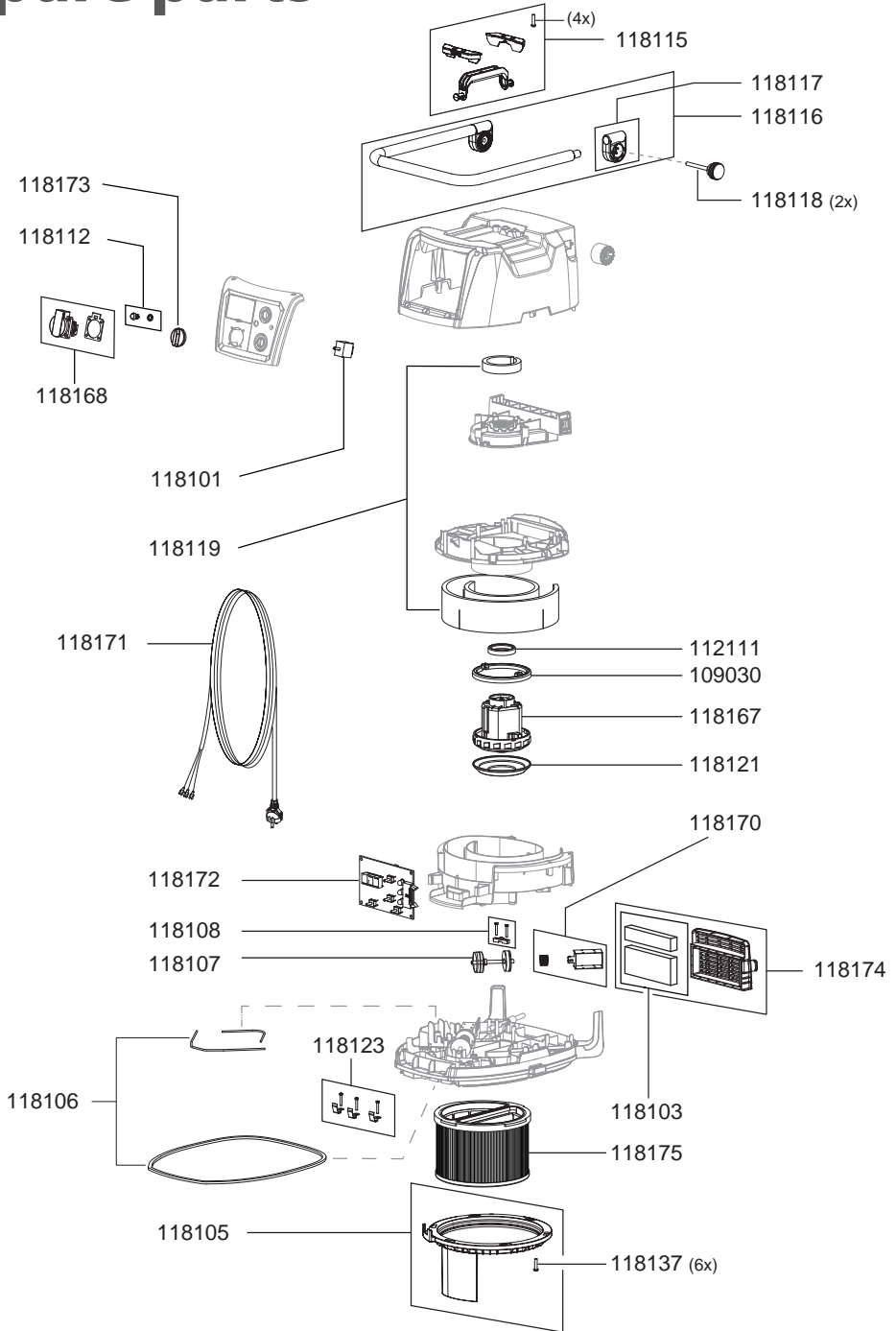
Clean the water level sensors regularly.  
 Nettoyez régulièrement les capteurs de niveau d'eau.  
 Limpie regularmente los sensores de nivel de agua.

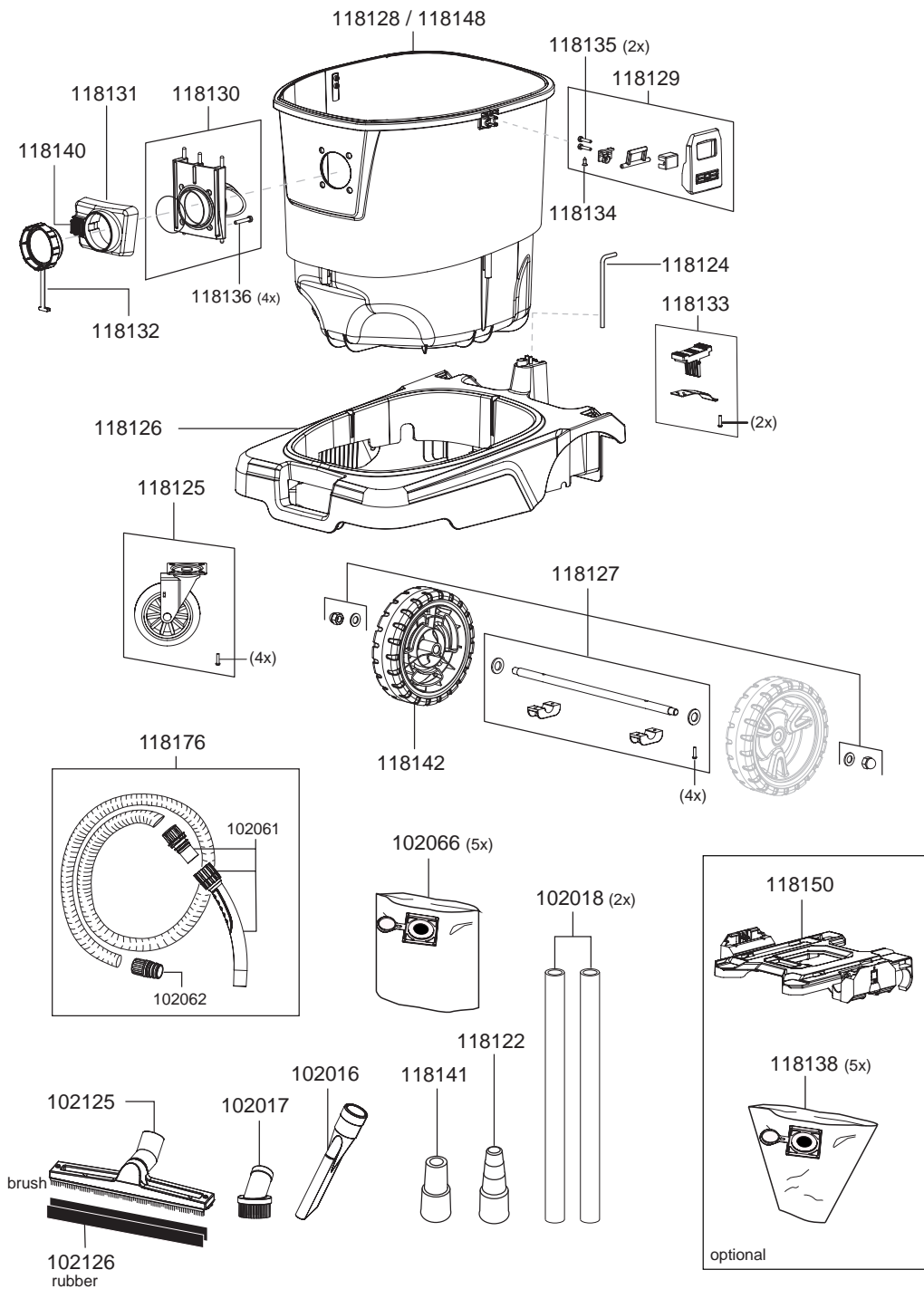
**40**

**Rubber hose adapter assembly**  
**Ensemble d'adaptateurs d'outils**  
**Conjunto adaptador de herramientas**



# spare parts





Changes in the course of technical improvements are reserved  
**Nous nous réservons le droit d'apporter des modifications au cours d'améliorations techniques**  
**Nos reservamos el derecho a realizar cambios con el fin de realizar mejoras técnicas**

 **Alpha Professional Tools®**

New Jersey, USA  
**[www.alpha-tools.com](http://www.alpha-tools.com)**