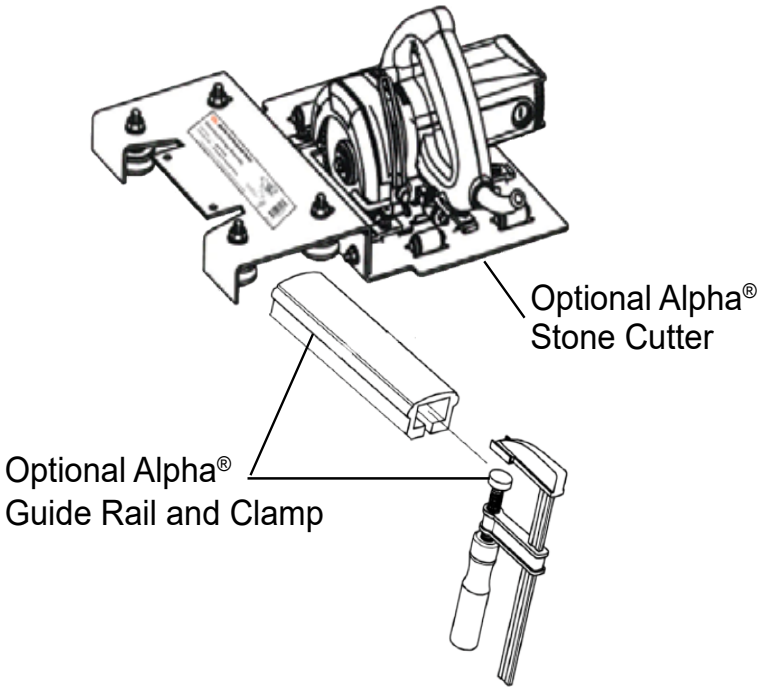
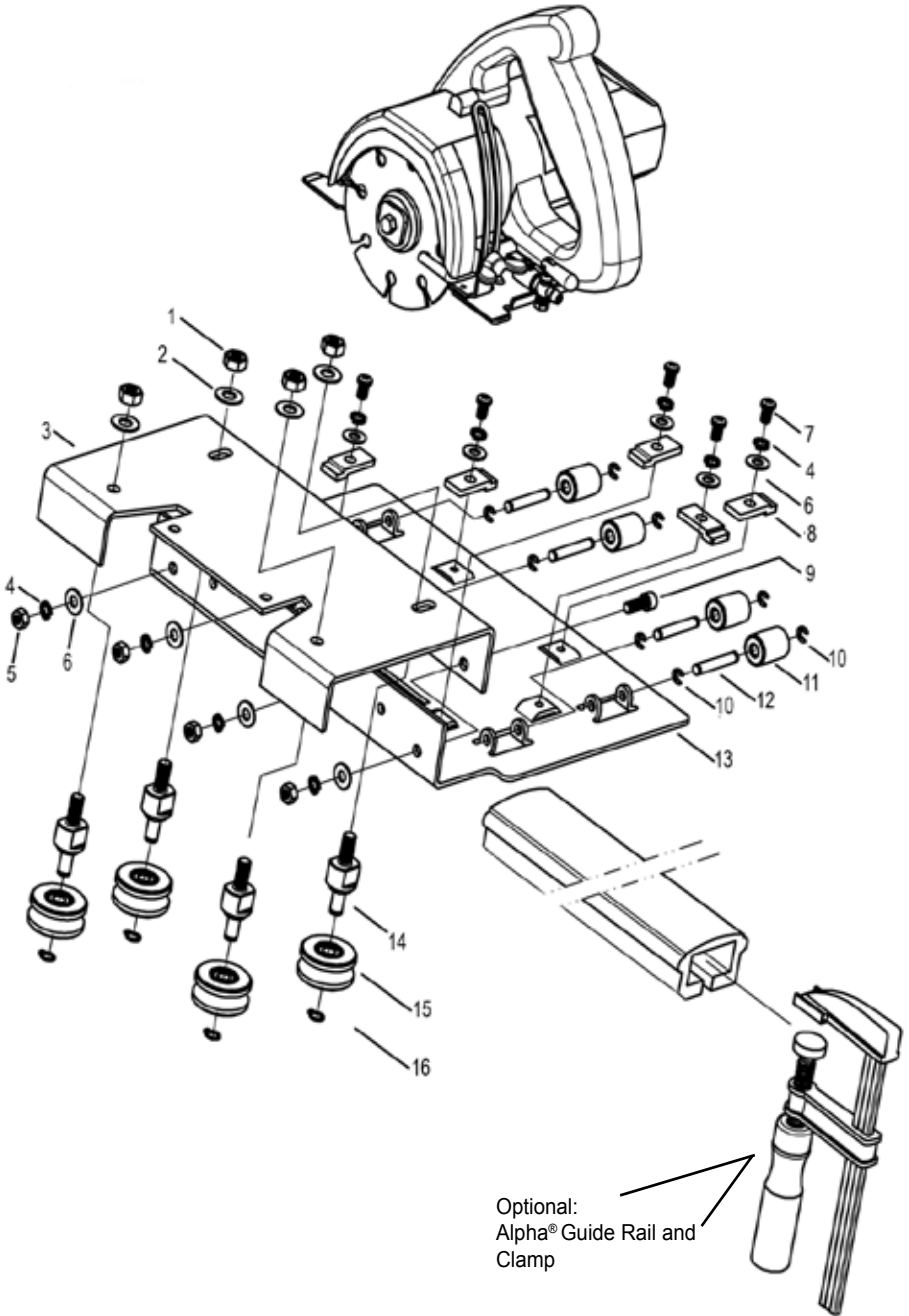

Alpha[®] Carriage Assembly Parts/Schematic



**Part No: AWS-UCAM
Version 1**

ALPHA® AWS-UCAM SCHEMATIC



ALPHA® AWS-UCAM PARTS LIST

DRAWING NO.	PART NO.	DESCRIPTION	QUANTITY
1	133285	Screw cap M8	4
2	133252	Washer 9×16×1.6	4
3	133383	Guide Rail Carriage	1
4	133072	Spring Lock Washer M6	5
5	803138	Screw cap M6	4
6	133071	Washer 6	9
7	133251	Screw M6×12	5
8	133248	Pressing plate	5
9	133560	Screw M6×16	4
10	130798	E rings 5	8
11	133246	Caster	4
12	133245	Caster axle	4
13	133384	Stone Cutter Base	1
14	133238	Rail wheel axle	4
15	133239	Rail wheel	4
16	133051	Circlips for shaft	4



103 Bauer Drive, Oakland, NJ 07436 • 800-648-7229 • Fax: 800-286-0114
www.alpha-tools.com

Copyright © 2017 Alpha Professional Tools. All rights reserved.

08/2017
