

Alpha[®] High-Speed Angle Grinder Parts List and Schematic



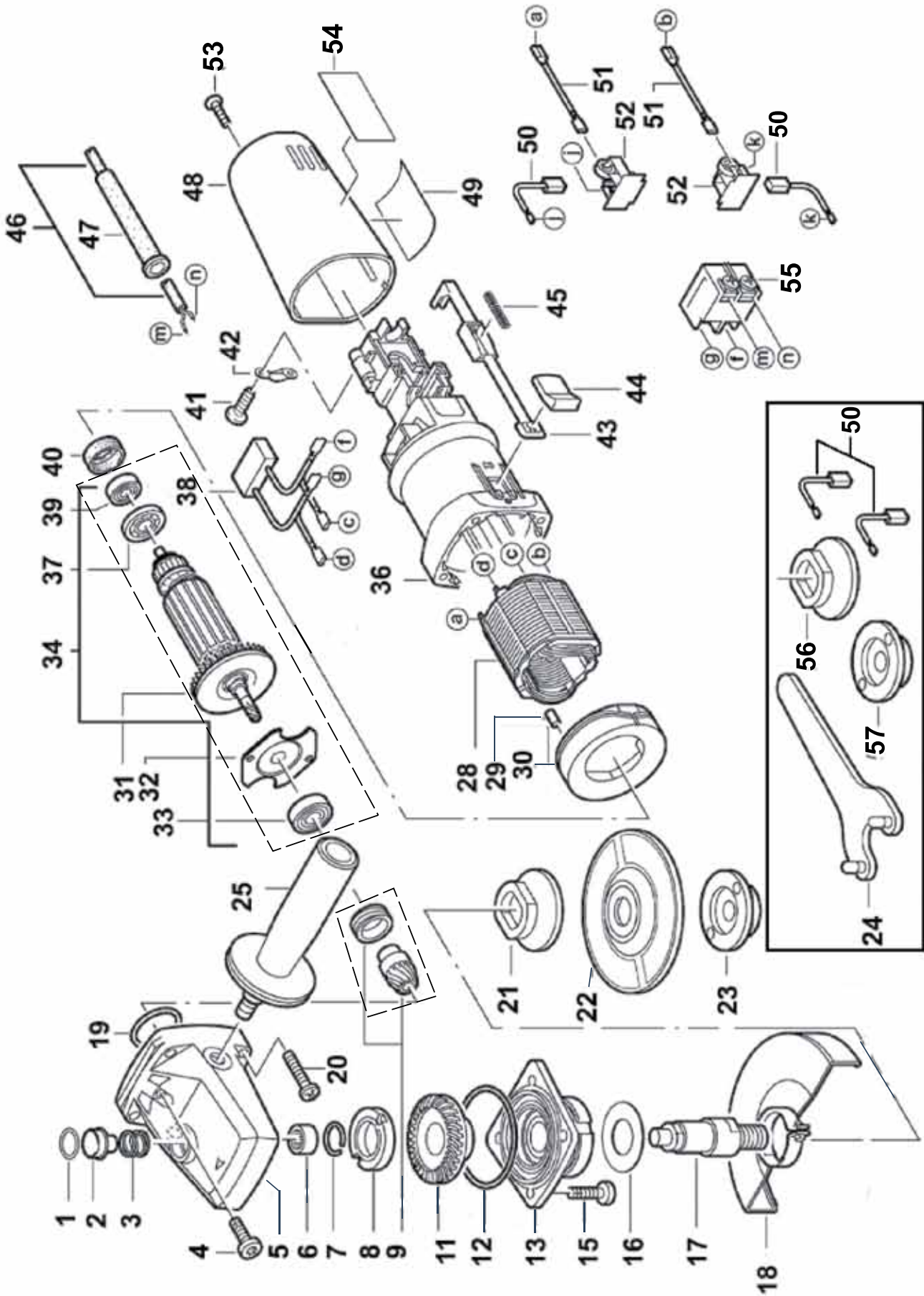
Part No: HSG-125

 **Alpha Professional Tools**[®]

103 Bauer Drive, Oakland, NJ 07436 • 800-648-7229 • Fax: 800-286-0114
www.alpha-tools.com

HSG-125 PARTS LIST AND SCHEMATIC
SEPTEMBER 2017

ALPHA® HSG-125 SCHEMATIC



ALPHA® HSG-125 PARTS LIST

DRAWING NO.	PART NO.	ITEM DESCRIPTION
1	130391	O Ring 16×2
2	130390	Lock
3	130389	Spring
4	130388	Screw M4×7
5	130384	Gear Box Assembly
6	130458	Needle Bearing HK0709F (7×11×9)
7	130450	Snap Ring 13.5×1.2
8	130426	Lock Flange
9	130420	Small Gear+Oil Wiper
11	130442	Big Gear
12	130386	O Ring 54×1.5
13	130443	Gearbox Cover
15	130695	Screw M4×12
16	130399	Washer 17.2×30×0.2
17	136034	Spindle (5/8"-11)
18	130653	Protective Cover
19	130387	O Ring 28×2
20	131187	Self-tapping Screw 3.9 x 28
21	136038	Inside Flange (22.2mm)
22	Not Included	Cutting Wheel
23	136039	Locking Flange
24	130434	Pin Spanner Wrench 34mm
25	130433	Side Handle for HSG-125
28	136027	Field Coil
29	130190	Rubber Insert Φ 5x7.5
30	130410	Air Bridge
31	130069	Fan
32	130418	Flange
33	130419	Ball Bearing 609-2RZ/C3 (9×24×7)
34	136044	Armature Assembly
36	130407	Rear Motor Housing (Blue)
37	130376	Insulation Disc
38	130657	Condenser Assembly
39	130381	Ball Bearing 607-2Z (7×19×6)
40	130375	Bearing Sleeve
41	130027	Self-tapping Screw 3.9 X9.5
42	130026	Cable Clip
43	130415	Switch Rod
44	130416	Rod Button
45	130417	Rod Spring
46	136045	Cable

ALPHA® HSG-125 PARTS LIST

DRAWING NO.	PART NO.	ITEM DESCRIPTION
47	130428	Cable Sleeve
48	130549	Rear Cover
49	136035	Rated Plate
50	136046	Carbon Brush (2 pc Set)
51	130413	Connector (0.045m)
52	130411	Brush Holder
53	130031	Self-tapping Screw 3.9 x 19
54	136036	Brand Label
55	135735	Switch
56	136040*	Inside Flange (20mm)
57	136041*	Locking Flange (20mm)

*Only available with the HSG-125.