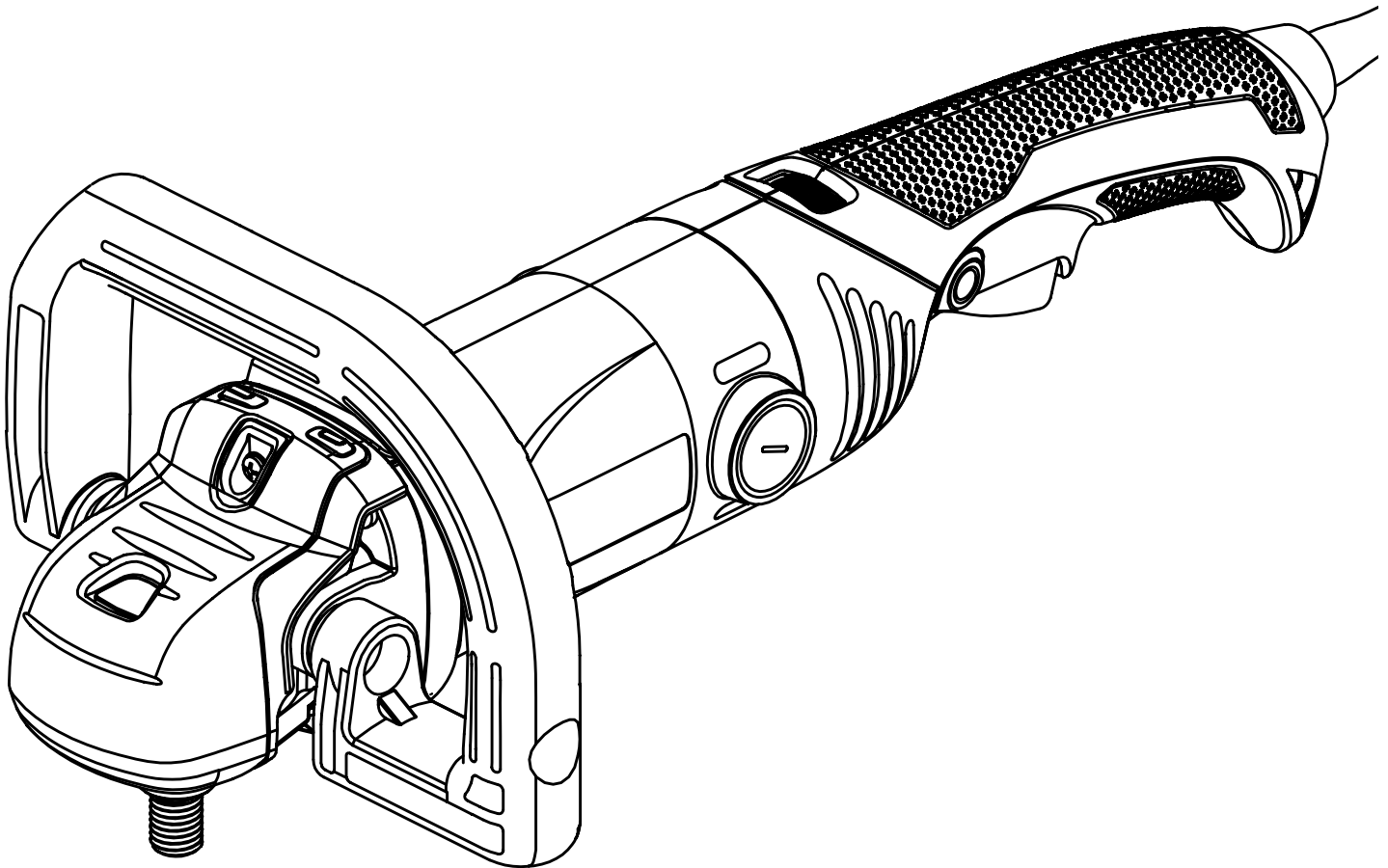


# Alpha<sup>®</sup> Variable Speed Rotary Polisher Parts List and Schematic



**Model No.: VDP-700**

**Version 1**

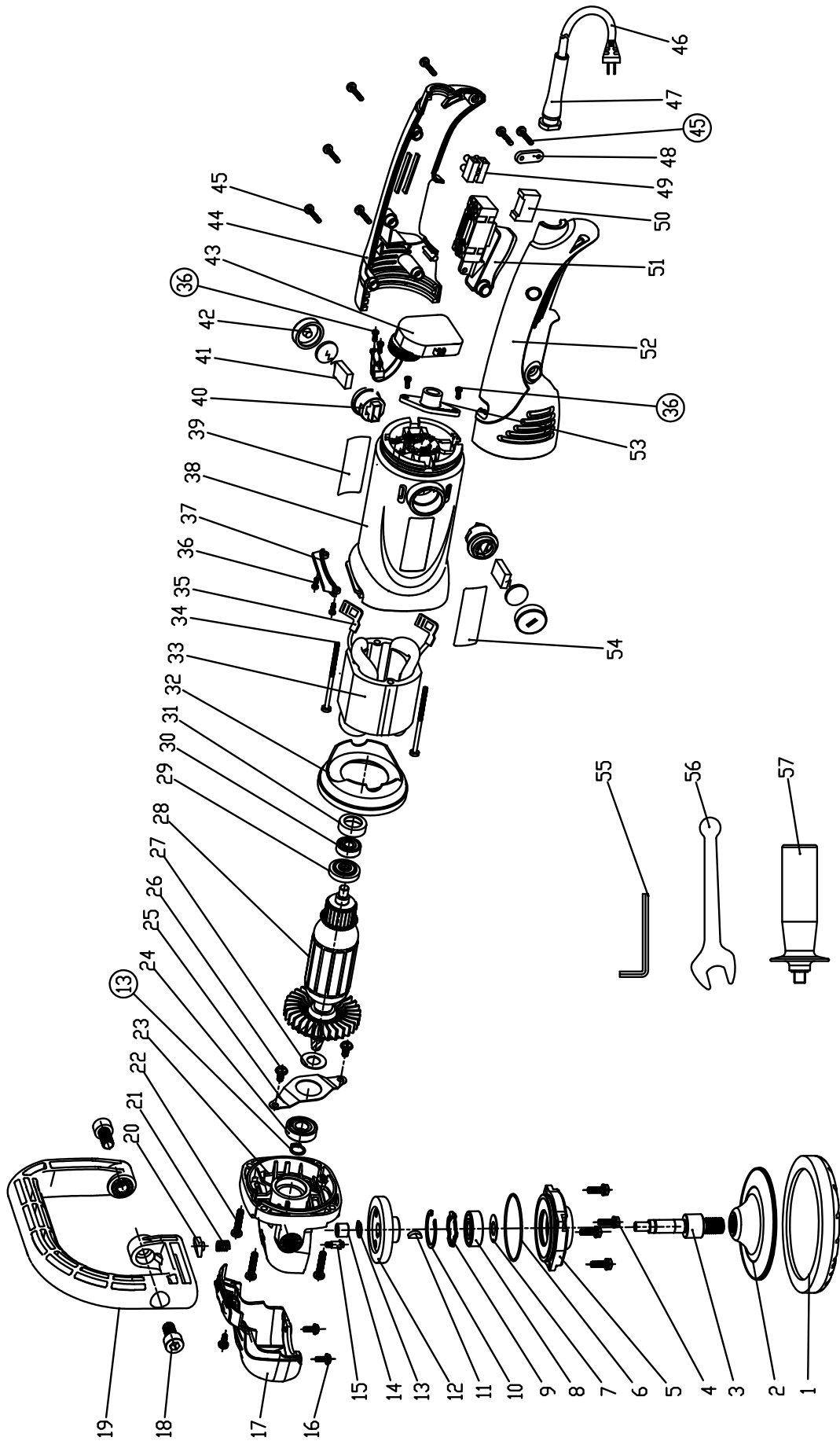
WARNING: To reduce the risk of injury, user must read and understand instruction manual!

---

 **Alpha Professional Tools**<sup>®</sup>

103 Bauer Drive, Oakland, NJ 07436 • 800-648-7229 • Fax: 800-286-0114  
[www.alpha-tools.com](http://www.alpha-tools.com)

# ALPHA® VDP-700 SCHEMATIC



## VDP-700 PARTS LIST

DRAWING NO.	PART NO.	DESCRIPTION	QTY	MSRP
1	Not Included	FOAM PAD	2	0.00
2	Not Included	BACKING PLATE	1	0.00
3	210145	OUTPUT SHAFT	1	7.53
4	210146	SCREW COMBO M5X16	4	0.05
5	210147	GEAR CASE COVER	1	11.18
6	210148	O-RING	1	0.33
7	210149	DUST-PROOF WASHER 12X25X0.5	1	0.93
8	210150	BALL BEARING 6201-2RS	1	10.91
9	210151	WAVE SPRING WASHER	1	0.93
10	210152	CIRCLIPS FOR HOLES 32	1	0.11
11	210153	KEY 4X13	1	0.05
12	210154	GEAR	1	16.74
13	210155	CIRCLIP FOR SHAFT 12	2	0.11
14	210156	BUSH	1	3.60
15	210157	SPINDLE-LOCK PIN	1	1.04
16	210158	SCREW M5X10	3	0.05
17	210159	GEAR CASE PLASTIC COVER	1	5.89
18	210160	HEXAGON SCREW M10X20	2	0.27
19	210161	C-HANDLE	1	7.31
20	210162	SPINDLE-LOCK CAP	1	1.09
21	210163	SPINDLE-LOCK SPRING	1	0.38
22	210164	SELF-TAPPING SCREW ST4.8X20	4	0.05
23	210165	GEAR CASE	1	23.23
24	210166	BALL BEARING 6001-2RS	1	11.89
25	210167	BEARING CLAMP	1	1.85
26	210168	SCREW M5X10	2	0.05
27	210169	BEARING RETAINER 12X21X1	1	1.85
28	210170	ARMATURE	1	70.34
29	210171	MAGNETIC RING 8X28X7	1	2.51
30	210172	BALL BEARING 608-2RZ	1	11.67
31	210173	RUBBER BEARING SEAT 608	1	2.89
32	210174	WIND BAFFLE	1	2.34
33	210175	FIELD COIL	1	56.00
34	210176	SELF-TAPPING SCREW ST4.8X65	2	0.11
35	210178	FLAG SLOT 4.8	2	0.00
36	210177	SELF-TAPPING SCREW ST4.9X10	6	0.05
37	210198	SUPPORT PAD	1	0.93
38	210199	FIELD COIL CASE	1	12.43
39	210179	DATA LABEL	1	0.00
40	210180	BRUSH HOLDER 6.2X13	2	5.56

DRAWING NO.	PART NO.	DESCRIPTION	QTY	MSRP
41	210181	CARBON BRUSH 6.2X13X15 SET	1	9.16
42	210182	BRUSH HOLDER CAP	2	1.85
43	210183	CONTROLLER ASSEMBLY	1	64.13
44	210184	REAR HAND (RIGHT)	1	8.29
45	210185	SELF-TAPPING SCREW ST4.2X16	7	0.05
46	210186	POWER SUPPLY CORD	1	65.71
47	210187	CORD JACKET	1	1.09
48	210188	CORD CLAMP	1	0.38
49	210189	WIRING TERMINAL PA7	1	0.22
50	210190	CAPACITOR	1	5.56
51	210191	SWITCH	1	14.94
52	210192	REAR HAND (LEFT)	1	8.29
53	210193	CORD CLAMP	1	0.93
54	210194	BRAND LABEL	1	0.00
55	210195	ALLEN WRENCH 8	1	0.98
56	210196	WRENCH 17	1	1.31
57	210197	SIDE HANDLE	1	2.89