

# Alpha<sup>®</sup> Wet Portable Electric Polisher

## Parts List and Schematic



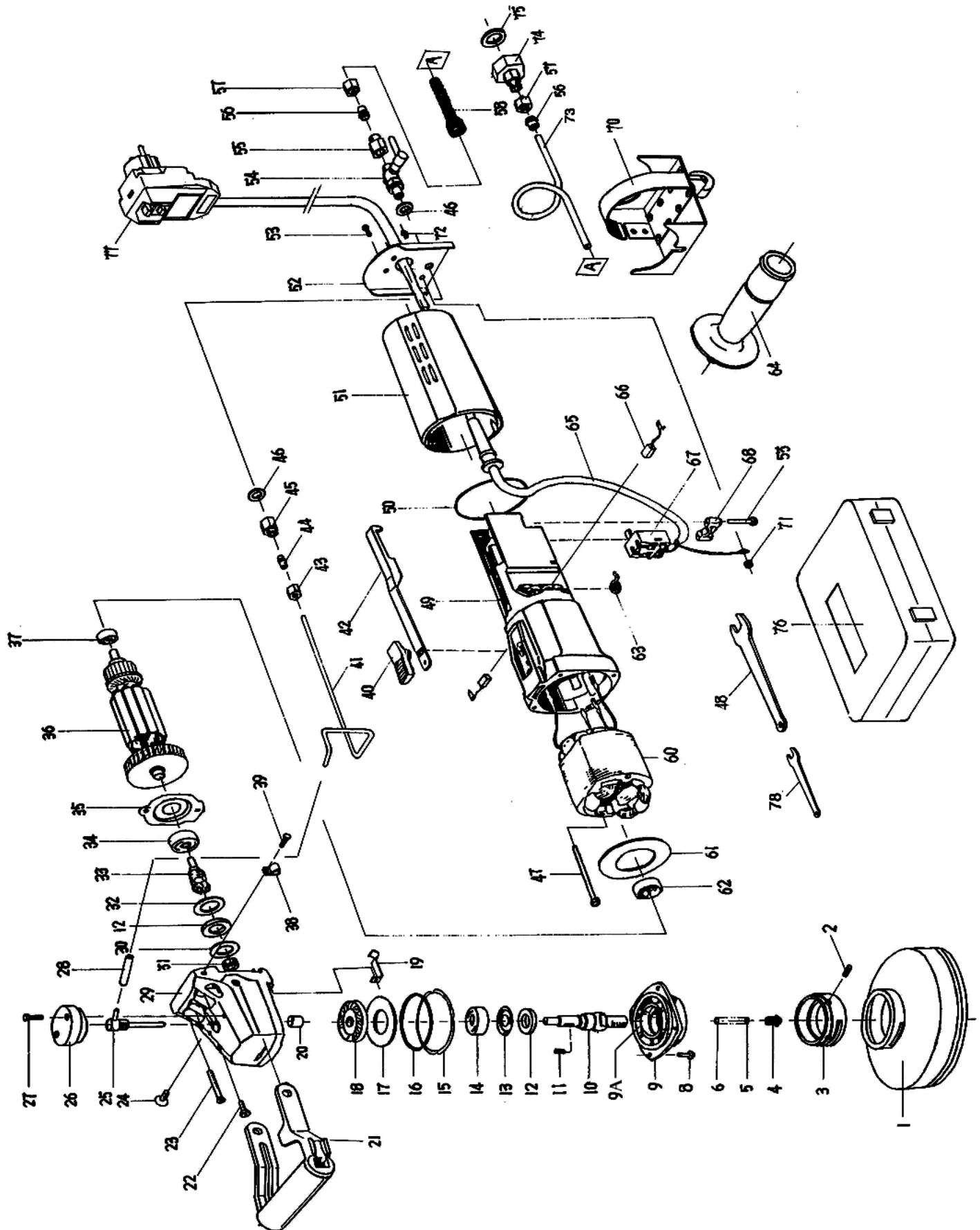
Part No: AWP-158

---

 **Alpha Professional Tools**<sup>®</sup>

103 Bauer Drive, Oakland, NJ 07436 • 800-648-7229 • Fax: 800-286-0114  
[www.alpha-tools.com](http://www.alpha-tools.com)

▶ ALPHA® AWP-158 WET POLISER SCHEMATIC



► ALPHA® AWP-158 WET POLISHER PARTS LIST

Drawing No.	Part No.	Item Description
1	AWP-01	Rubber splash guard
2	AWP-02	Set screw M5X4
3	AWP-03	Ring adapter
4	AWP-04	Water jet
5	AWP-05	Supporting ring
6	AWP-06	Gasket
8	AWP-08	Hex Head screw M4X12
9	AWP-09	Gear Cap
9A	AWP-34-1	Rubber Plug
10	AWP-10A / AWP-10B	Spindle 5/8"-11/ M14-2
11	AWP-11	Key
12	AWP-12	Sealing Ring
13	AWP-13	Ring cover
14	AWP-14	Ball bearing 6001ZZ
15	AWP-15	Distance ring
16	AWP-16	Sealing Ring 48X1.2
17	AWP-17	Spring Washer 25mm O.D.
18	AWP-18	Crown wheel
19	AWP-19	Water line clip
20	AWP-20	Bushing Brass 13mm OD
21	AWP-21	Handle (C-shaped) for AWP-158
22	AWP-22	Screw M4x8
23	AWP-23	Self-tapping Screw 3.9X30
24	AWP-24	Screw M8X16
25	AWP-25	Center water feed tube
26	AWP-26	Center water feed adapter
27	AWP-27	Screw M4X25
28	AWP-28	Hose 8x5x4
29	AWP-29	Gear Case
30	AWP-30	Washer 23mm
31	AWP-31	Threaded Bushing
32	AWP-32	Washer 25.5mm OD
33	AWP-33	Pinion Gear
34	AWP-34	Ball bearing 6000DDW
	AWP-34-1	Rubber Plug
35	AWP-35	Bearing cover
36	AWP-36C / AWP-36D	Armature Assembly -110V / 220V
37	AWP-37	Ball bearing 607DDW

► ALPHA® AWP-158 WET POLISHER PARTS LIST

Drawing No.	Part No.	Item Description
38	AWP-38	Water line clip/small
39	AWP-39	Screw M4X8
40	AWP-40	Switch Lever
41	AWP-41	Water Pipe
42	AWP-42	Switch Rod
43	AWP-43	Compression Nut
44	AWP-44	Compression Ring (Brass)
45	AWP-45	Pipe Adapter
46	AWP-46	Gasket
47	AWP-47	Self-tapping Screw 3.9X60
48	AWP-48	26mm Stop Spanner
49	AWP-49	Motor Case with Brush Holder
50	AWP-50	Sealing Ring 61x1.2
51	AWP-51	Cover
52	AWP-52	Water Line Mounting Plate
53	AWP-53	Self-tapping Screw 3.9X20
54	AWP-54	Water Valve (for AWP-158)
55	AWP-55	Water Fitting Adapter
56	AWP-56	Compression Ring (Plastic)
57	AWP-57	Compression Nut
58	AWP-58	Hose protector
60	AWP-60A / AWP-60B	Field assembly - 110V / 220V
61	AWP-61	Fan Guide
62	AWP-62	Bearing Ring
63	AWP-63	Torsion spring
64	AWP-64	Handle B (Side handle)
65	AWP-65A / AWP-65B	Cord with GFCI - 110V / 220V
66	AWP-66	Carbon Brush (2pc set)
67	AWP-67	Switch
68	AWP-68	Strain relief
70	AWP-70	Flat Polishing Caster
71	AWP-71	Nut M4
72	AWP-72	Screw M4X6
73	133229	Water Hose 8mm ODx10ft (3m)
74	AWP-74	Hose Coupling
75	AWP-75	Gasket 24x14x3
76	AWP-76	BMC (Blow Mold Case) for AWP-158
77	AWP-77A / AWP-77B	GFCI 110V / 220V
78	AWP-78	Wrench 14mm