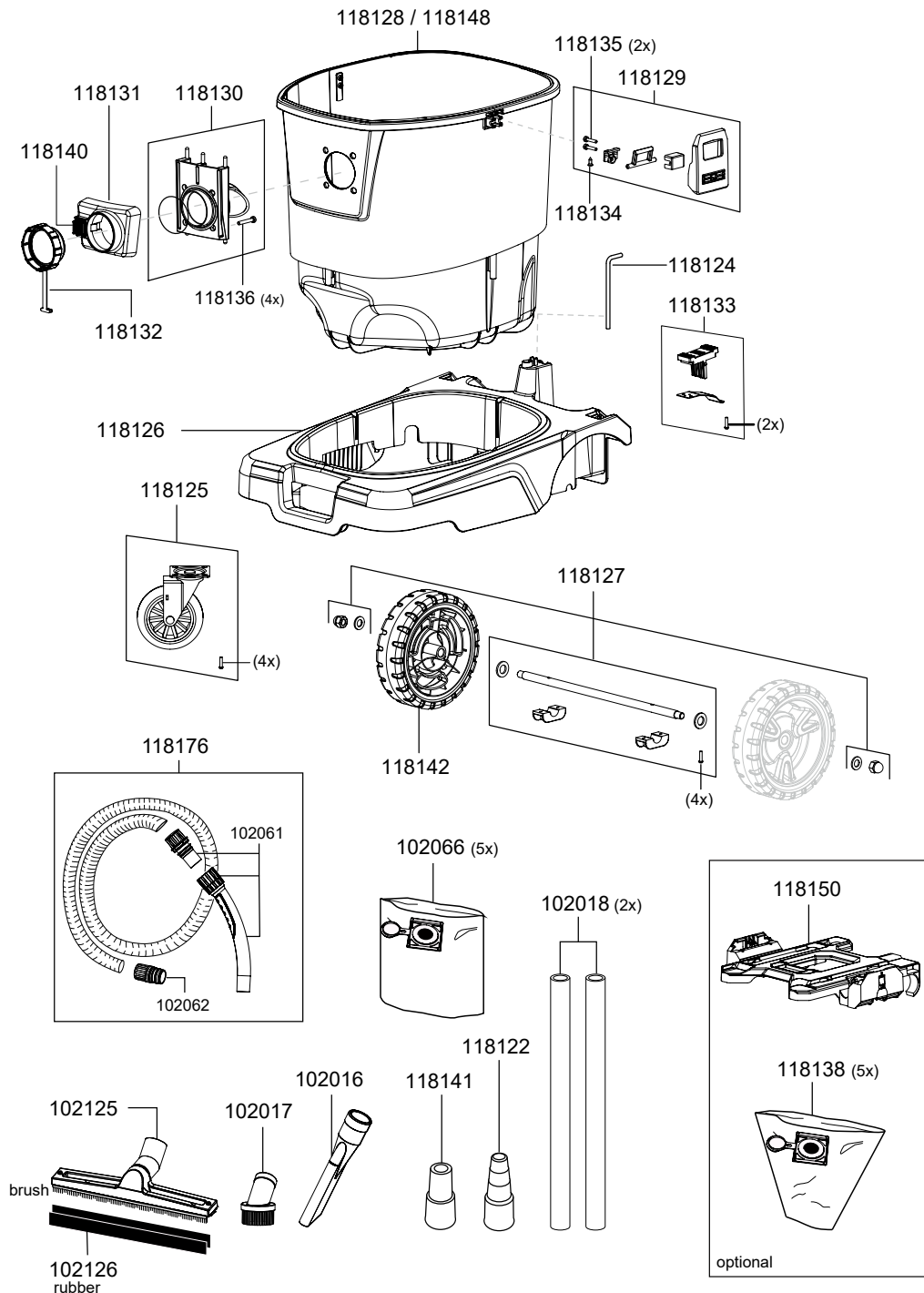


HEPA1035/HEPA1050 Wet/Dry Vacuum



STANDARD ACCESSORIES

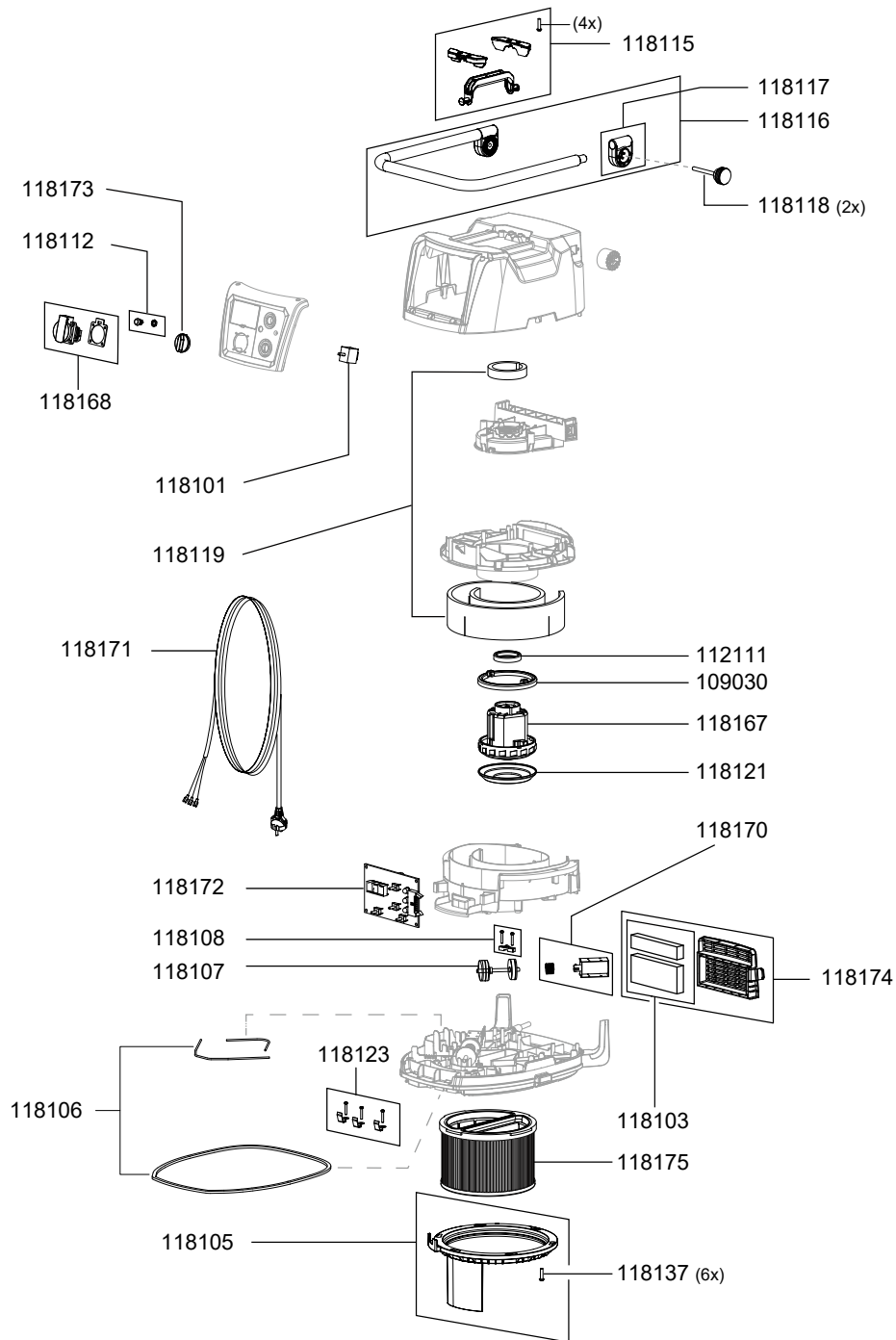
item no.	description
102016	Crevice Nozzle
102017	Round Brush
102018	Stainless Steel Wand (2pc Set)
102066	Fleece Filter Bag (5pcs)
102125	Dry Floor Nozzle
102126	Rubber Strips (2pc Set) For 102125
102127	Brush Strips (2pc Set) For 102125
118122	Rubber Hose Adapter #1 (21mm/25mm/32mm)
118124	Hex Key
118141	Rubber Hose Adapter #2 (38mm/43mm)
118176	Hose Assembly 16.4 ft (5m) (Ø 1.5 in/38 mm)

SPARE PARTS

item no.	description
102061	Handle D38 With Hose Connector D38, Antistatic
102062	Hose Connector D38 For Container D38, Antistatic
102066	Fleece Filter Bag (5pcs)
102111	Vacuum Hose Per Meter, D38, Antist., Oil Resist.
118175	Filter
118138	Waste Bag (5 Pcs)
118150	Adapter Plate for Toolbox
118125	Castor, D100
118126	Chassis
118127	Wheel Axis
118128	Container 9.3 Gal (35 L)
118129	Latch
118130	Adapter For Filter Bag
118131	Coupling Housing, Hose
118132	Container Cap
118133	Brake Kit
118134	Screw, St 3.9x12 SS
118135	Screw, St 3.9x20 SS
118136	Screw, St 4.9x30 SS
118140	Button Set
118142	Wheel
118148	Container 13.2 Gal (50 L)

HEPA1035/HEPA1050 Wet/Dry Vacuum

SPARE PARTS



item no.	description
109030	Motor Bearing Top
112111	Gasket Ring For Vacuum Motor
118101	Switch, Electrical
118103	Filter Sponge
118105	Filter Ring Inc. Screws
118106	Seal Set
118107	Valve
118108	Strain Relief Strap
118112	Button Filter Cleaning
118115	Handle
118116	Pushbar
118117	Assembly Kit For Pushbar
118118	Fixation Screw For Pushbar
118119	Filter Sponge Set
118121	Motor Bearing Bottom
118123	Water Stop Connection
118137	Screw, M6x27, Filter Ring
118167	Vacuum Motor, 1300 Watt
118168	IP54 Socket
118170	Magnet Valve
118171	Power Cord, 33ft (10m) 3/14 AWG
118172	Power Electronics L
118173	Switch
118174	Exit Air Housing, UL
118175	Filter