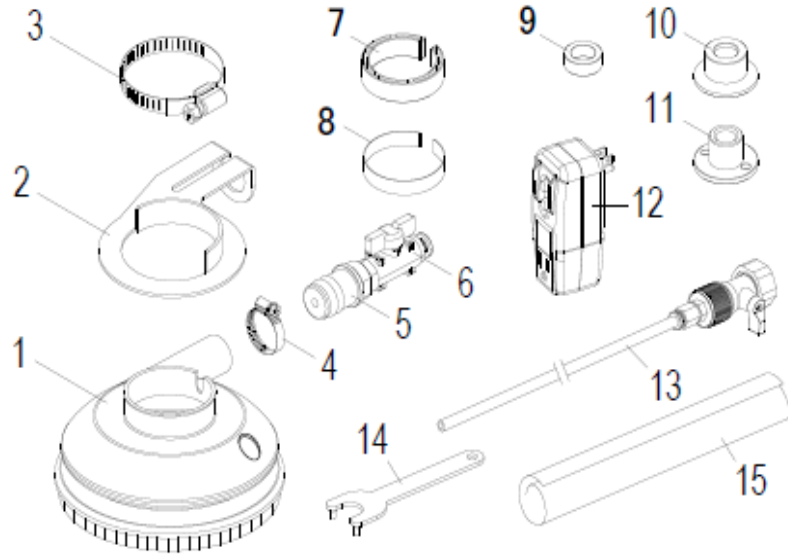
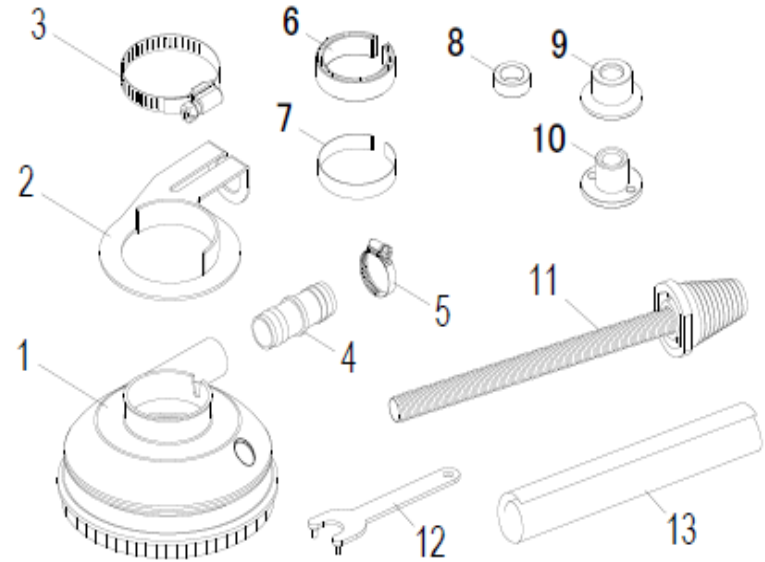


ALPHA® SPW4KIT - WET SANDING/POLISHING KIT



No.	Part No.	Description
1	500150	4" Dust Guard
2	500151	Dust Hose Holder
3	500152	Stainless Steel Hose Band (Euro Style/40-63mm)
4	500077	Stainless Steel Hose Band (EuroStyle/16-27mm)
5	500153	Valve Connector-AL
6	500154	Water Control Valve (R1/8" + 8mm ID)
7	133779	Plastic Collar
8	133778	Stainless Steel Collar
9	500154	Spacer
10	500155	Inner Flange
11	500156	Lock Nut
12	500157	Water Hose Assembly
13	GFCI-1	Ground Fault Circuit Interrupter (15amps)
14	210105	Pin Wrench (P30)
15	210124	Memory Wrap (3ft./1M) Dia.32mm, 1mm length

ALPHA® SPD4KIT - DRY SANDING/POLISHING KIT



No.	Part No.	Description
1	500150	4" Dust Guard
2	500151	Dust Hose Holder
3	500152	Stainless Steel Hose Band (Euro-Style/40-63mm)
4	500153	Hose Connector
5	500077	Stainless Steel Hose Band (Euro Style/16-27mm)
6	133779	Plastic Collar
7	133778	Stainless Steel Collar
8	500154	Spacer
9	500155	Inner Flange
10	500156	Lock Nut
11	VH91100	Universal Dust Hose
12	210105	Pin Wrench (P30)
13	210124	Memory Wrap (3ft./1M) Dia.18mm, 1mm length