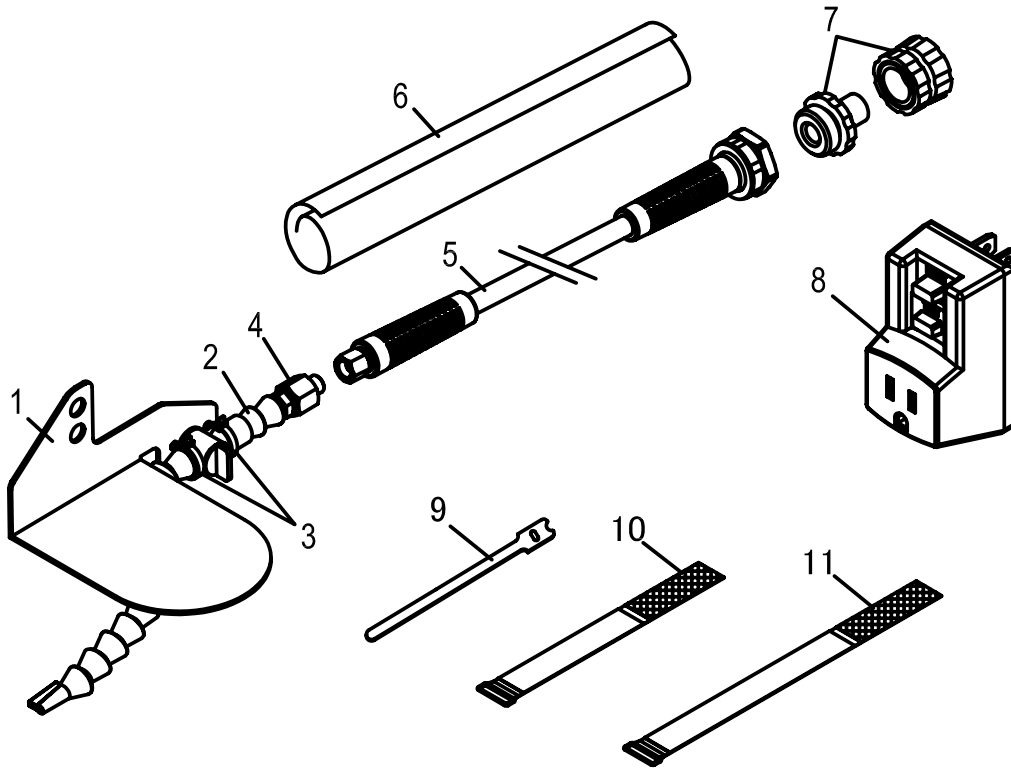


ALPHA® WSPKIT SCHEMATIC & PART LISTS



ITEM NO.	PART NO.	DESCRIPTION	QUANTITY
1	133791	Splash Guard	1
2	140004	Loc-Line Assembly	1
3	PDH-CABLETIES	Plastic Tie	2
4	133780	Adapter (1/4 NPT>>>M10*P1.0)	1
5	210129	Water Hose Assembly (15ft./4.5m)	1
6	210124	Memory Wrap (3ft./1m)	1
7	658-113	Quick Connect Adapter	1
8	GFCI-1 / GFCI-2	GFCI Plug (120V) / (240V)	1
9	133551	Hook & Loop Strap (1/2"x12")	1
10	140003	Hook & Loop Strap (1-1/2"x 12")	1
11	140008	Hook & Loop Strap (1-1/2"x18")	1