

# Alpha<sup>®</sup> HEPA Dry Vacuum Manual



Part No: HEPADV10  
Version 4

# TABLE OF CONTENTS


Introduction.....	3
About the Symbols.....	3
General Safety Instructions.....	3
Safety Instructions for Electric Tools .....	4
Grounding Instructions.....	6
HEPA Dry Vacuum Overview .....	7
Specifications.....	7
HEPA Dry Vacuum Accessories .....	8
Components .....	8
About The Machine .....	9
To Connect The Hose .....	9
Assembly Instructions.....	9
Maintenance .....	9
For Dry Pickup.....	9
For Use with Power Tools .....	9
Storage.....	9
HEPA Dry Vacuum Motor Schematic .....	10
HEPA Dry Vacuum Tank Schematic .....	11
HEPA Dry Vacuum Motor Parts List.....	12
HEPA Dry Vacuum Filter / Tank Parts List.....	12
Troubleshooting Guide .....	13
Wiring Diagram .....	13
Accessories and Factory Service .....	14
Warranty .....	14
Product Registration .....	15

## INTRODUCTION


Thank you for purchasing an Alpha® HEPA Dry Vacuum for Power Tools. This vacuum cleaner is a high-quality, precision made product. All parts used in the manufacturing of this vacuum cleaner have passed rigid quality control standards prior to assembly and an “each unit” final inspection prior to packaging is your assurance of proper assembly. This vacuum cleaner was protectively packaged to prevent possible damage in transit. Should damage occur, please notify the transporting carrier immediately for loss and/or claim.

### ► ABOUT THE SYMBOLS

According to the hazard level, all safety notes in this manual are classified into “DANGER”, “WARNING”, and “CAUTION”.

 **DANGER!** Death or serious personal injury is imminent when handling this polisher incorrectly.

 **WARNING!** There is a possibility of death or serious personal injury when handling this polisher incorrectly.

 **CAUTION!** There is a possibility of personal injury or property damage when handling this polisher incorrectly.

**Note:** In some situations, failing to observe **WARNING** notes could result in death or serious personal injury. Be sure to read and observe the safety notes to ensure safety and correct use of the polisher.

### ► GENERAL SAFETY INSTRUCTIONS

When using an electrical appliance, basic precaution should always be followed, including the following:

**READ ALL INSTRUCTIONS  
BEFORE USING THIS VACUUM CLEANER**

### **WARNING**

To reduce the risk of fire, electric shock or injury:

1. Do not leave appliance when plugged in. Unplug from outlet when not in use and before servicing.
2. Do not expose to rain. Store indoors.

3. Do not allow to be used as a toy. Close attention is necessary when used by or near children.
4. Use only as described in this manual. Use only manufacturer's recommended attachments.
5. Do not use with damaged cord or plug. If appliance is not working as it should, has been dropped, damaged, left outdoors, or dropped into water, contact Customer Service.
6. Do not pull or carry by cord, use as a handle, close a door on cord, or pull cord around sharp edges or corners. Do not run appliances over cord. Keep cord away from heated surfaces.
7. Do not unplug by pulling on cord. To unplug, grasp the plug, not the cord.
8. Do not handle plug or appliance with wet hands.
9. Do not put any object into openings. Do not use with any opening blocked; keep free of dust, lint, hair and anything that may reduce air flow.
10. Keep hair, loose clothing, fingers and all parts of the body away from openings and moving parts.
11. Do not pick up anything that is burning or smoking, such as cigarettes, matches, or hot ashes.
12. Do not use without dustbag and/or filters in place.
13. Turn off all controls before unplugging.
14. Use extra care when cleaning on stairs.
15. Do not use to pick up flammable or combustible liquids such as gasoline, or use in areas where they may be present.
16. This vacuum is for commercial use only.
17. Connect to a properly grounded outlet only. See grounding instructions.

**SAVE THESE INSTRUCTIONS**

► **SAFETY INSTRUCTIONS FOR ELECTRIC TOOLS**

1. **KNOW YOUR POWER TOOL.** Read owner's manual carefully. Learn its applications and limitations as well as specific potential hazards particular to this tool.
2. **KEEP WORK AREA CLEAN.** Cluttered areas invite accidents. Do not put any object into openings. Do not use with any opening blocked; keep free of dust, lint, hair and anything that may reduce air flow

3. **AVOID DANGEROUS ENVIRONMENTS.** Keep work areas as dry as possible. Do not use tool in presence of flammable liquids or gases. Keep the area well lit.
4. **KEEP CHILDREN AND VISITORS AWAY.** All visitors should be kept a safe distance from the work area. Keep out of reach of children.
5. **DON'T FORCE TOOL.** It will do the job better and safer at the rate for which it was designed.
6. **WEAR PROPER APPAREL.** Do not wear loose clothing or jewelry as it can get caught in moving parts. Rubber gloves and insulated non-skid footwear are recommended. Wear protective covering to contain long hair.
7. **WEAR PROPER EYE PROTECTION.** Use safety glasses at all times. Also, use a face mask if work area is dusty.
8. **DON'T OVERREACH.** Keep proper footing and balance at all times.
9. **DISCONNECT TOOLS WHEN NOT IN USE.** Always disconnect tool before servicing; when changing accessories such as grinding wheels, backer pads, etc.
10. **MAINTAIN TOOLS WITH CARE.** Keep tools clean at all times for best and safest performance. Follow instructions for lubricating and changing accessories. Keep handles dry, clean and free of oil or grease. Inspect moving parts for alignment and binding as well as for breakage and improper mounting.
11. **AVOID ACCIDENTAL STARTING.** Don't carry a "connected" tool, or make adjustments, or change discs without making sure the air valve is in the off position to prevent the flow of air.
12. **USE ONLY RECOMMENDED ACCESSORIES.** The use of any accessories other than what is listed or recommended for this particular tool may be hazardous.
13. **KEEP HANDS AWAY FROM ALL MOVING PARTS.**
14. **STAY ALERT.** Watch what you are doing and use common sense. Do not operate tool when you are tired, or under the influence of medication or alcohol.

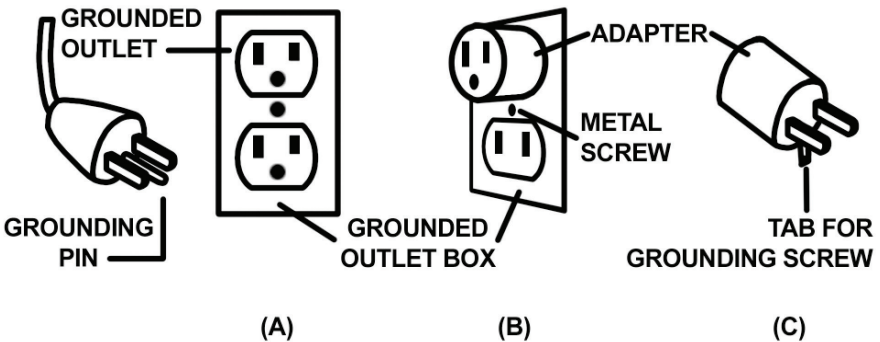
## ► GROUNDING INSTRUCTIONS

This appliance must be grounded. If it should malfunction or breakdown, grounding provides a path of least resistance for electric current to reduce the risk of electric shock. This appliance is equipped with a cord having equipment grounding conductor and grounding plug. The plug must be inserted into an appropriate outlet that is properly installed and grounded in accordance with all local codes and ordinances.

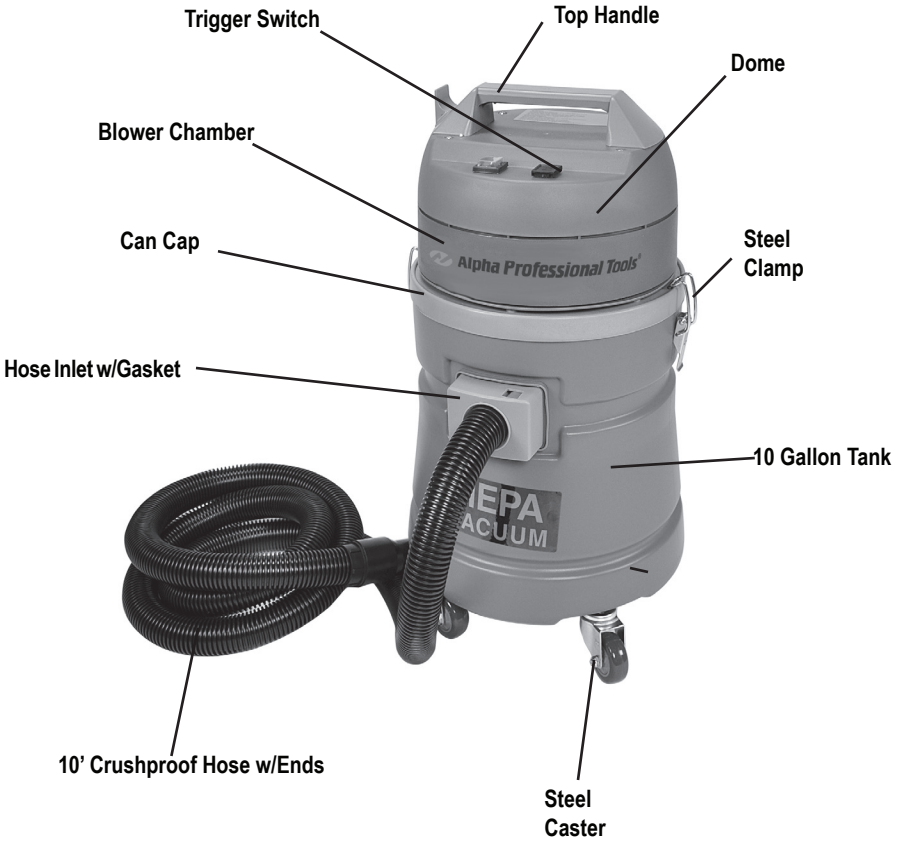
This appliance is for use on a nominal 120 - Volt circuit, and has a grounded plug that looks like the plug illustrated in sketch A below. A temporary adapter that looks like the adapter illustrated in sketches B and C may be used to connect this plug to a 2-pole receptacle as shown in sketch B if a properly grounded receptacle is not available. The temporary adapter should be used only until a properly grounded outlet (sketch A) can be installed by a qualified electrician. The green colored ear, lug, or the like extending from the adapter must be connected to a permanent ground such as a properly grounded outlet box cover.

Whenever the adapter is used, it must be held in place by a metal screw.

**NOTE:** In Canada, the use of a temporary adapter is not permitted by the Canadian Electrical Code.



# HEPA DRY VACUUM OVERVIEW



## ► SPECIFICATIONS

Model .....	HEPADV10
Recovery Wet .....	10 Gallon
Horse Power .....	2HP
Rating .....	120 Volts
Amperage .....	11.1A
Water Lift .....	105"
CFM .....	110
Weight .....	33 Lbs
Cord .....	50 ft

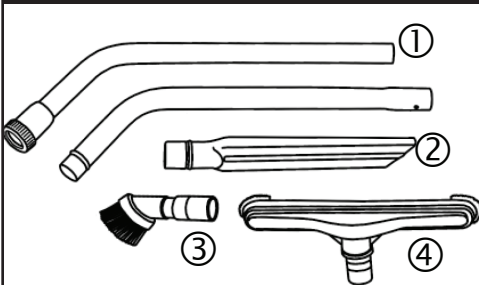
# HEPA DRY VACUUM ACCESSORIES



## COMPONENTS:

1. **HEPA Filter Assembly** (Part No. HEP100483)  
(Including Filter, Gasket and Dacron "Never Clog" Filter Bag)
2. **10' Crushproof Hose w/Ends** (Part No. HEP110026)
3. **4' Crushproof Hose w/o Adapter** (Part No. HEP110022)
4. **Hose Adapter** (Part No. HEP110021)
5. **4' Crushproof Hose Assy Complete with Adaptor** (Part No. HEP110027)
6. **Disposable Paper Bag** (Part No. HEP777501)

## OPTIONAL FLOOR CLEANING KIT (Part No. HEP100511)



1. **5' Two Piece Wand**  
(Part No. HEP521007)
2. **17" Crevice Tool**  
(Part No. HEP701615)
3. **Round Dusting Brush**  
(Part No. HEP000394)
4. **Floor Brush Tool**  
(Part No. HEP527095)



## ABOUT THE MACHINE

### ► TO CONNECT THE HOSE

Insert the hose end into the tank inlet until it clicks. To remove the hose, press the button on top of the hose inlet, and remove hose.

### ► ASSEMBLY INSTRUCTIONS

Insert casters into sockets on bottom of canister. Push casters until seated. Attach hose to coupling on front of can.

### ► MAINTENANCE

This vacuum cleaner contains no user serviceable parts. If repair is needed, please take the vacuum cleaner to an authorized Alpha Professional Tools® service center.

### ► FOR DRY PICKUP

Install paper bag on inlet inside of tank. Insert the HEPA filter assembly in the top of the tank. Install motor head.

### ► FOR USE WITH POWER TOOLS

For use with power tools drawing 3.9 amps or less. Turn the vacuum switch off, and connect the power tool drawing 3.9 amps or less to the outlet in the motor head. When the power tool is started, the vacuum cleaner will start. The vacuum cleaner will continue to run for a few seconds after the power tool is turned off, in order to clear dust from the hose. When no power tool is attached, the vacuum cleaner may also be turned on and off using the switch on the power head.

### ► STORAGE

Coil cord in a large loop and insert under handle for storage. Grasp the plug when unplugging from wall. Do not pull the cord.

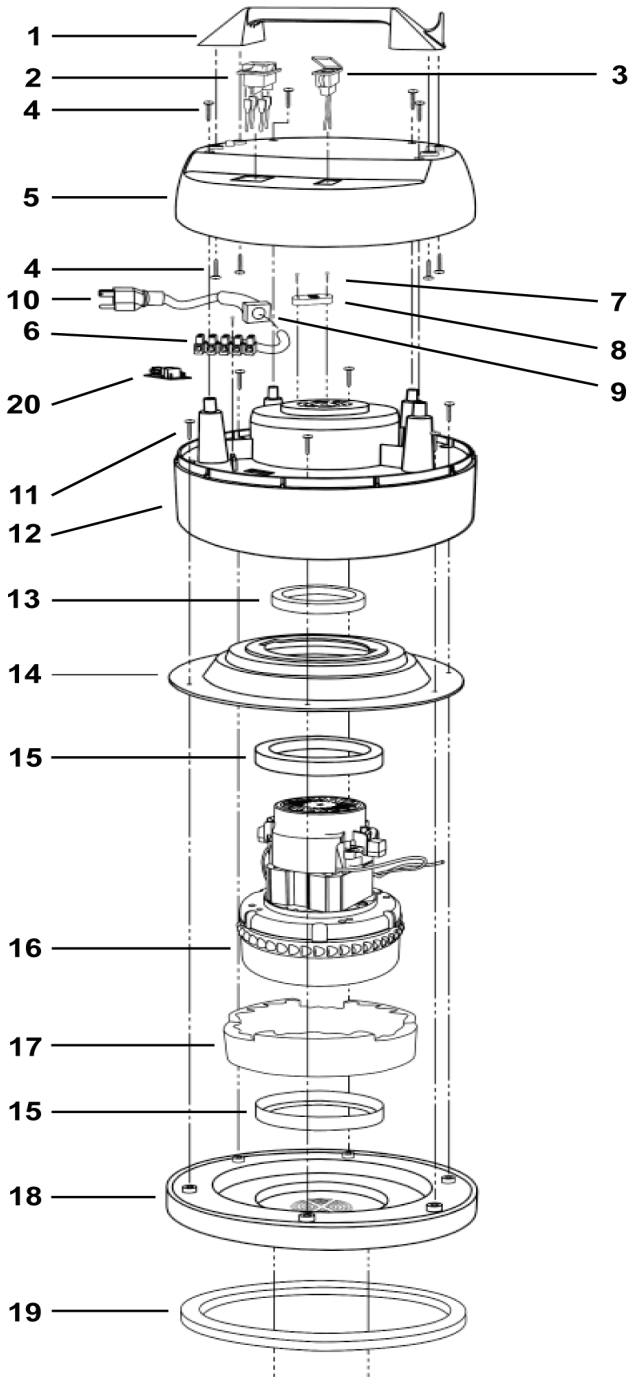
### CAUTION!

Do not use this vacuum to pick up hazardous materials without HEPA filter being installed.

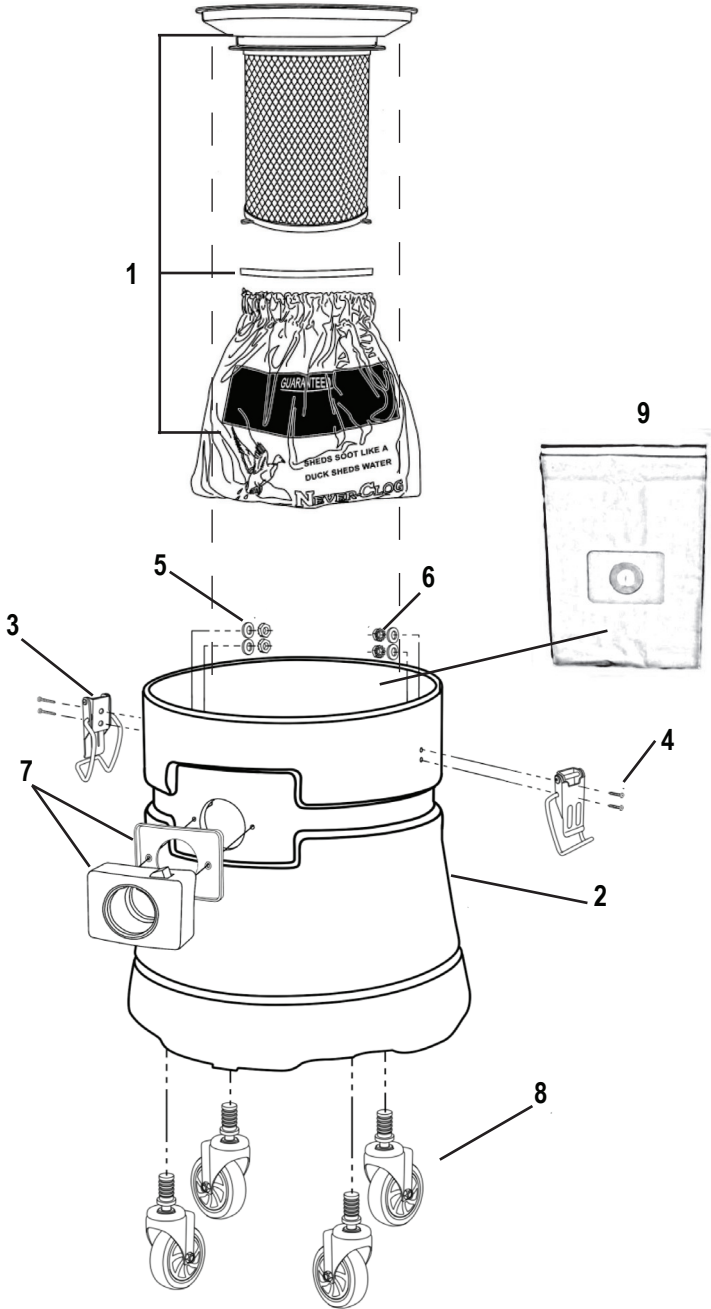
### CAUTION!

Never lubricate the vacuum cleaner motor. The motor bearings are permanently sealed. This vacuum is intended for indoor or outdoor use and for wet pickup, but it is not intended to be exposed to rain.

# ALPHA® HEPA DRY VACUUM MOTOR SCHEMATIC



# ALPHA® HEPA DRY VACUUM FILTER / TANK SCHEMATIC



## ALPHA® HEPA DRY VACUUM MOTOR PARTS LIST

DRAWING NO.	PART NO.	DESCRIPTION	QUANTITY
1	HEP160644	Top Handle	1
2	HEP701881	Switch	1
3	HEP110029	Outlet	1
4	HEP160646	Screw 4.8 x 15mm	8
5	HEP110037	Dome	1
6	HEP160648	Terminal Strip	1
7	HEP701892	Screw 2.9 x 19mm	3
8	HEP701893	Cord Restraint	1
9	HEP160649	Rubber Strain Relief	1
10	HEP110019	Cord Set 14/3-50'	1
11	HEP702390	Screw 4.8 x 19mm	6
12	HEP160650	Blower Chamber	1
13	HEP701897	Motor Cooling Gasket	1
14	HEP701896	Top Motor Adaptor	1
15	HEP701898	Motor Housing Gasket	2
16	HEP527297	Motor 120 volt	1
17	HEP701883	Foam	1
18	HEP701900	Can Cap	1
19	HEP701901	Gasket Can Cap	1
20	HEP100427	Circuit Board	1

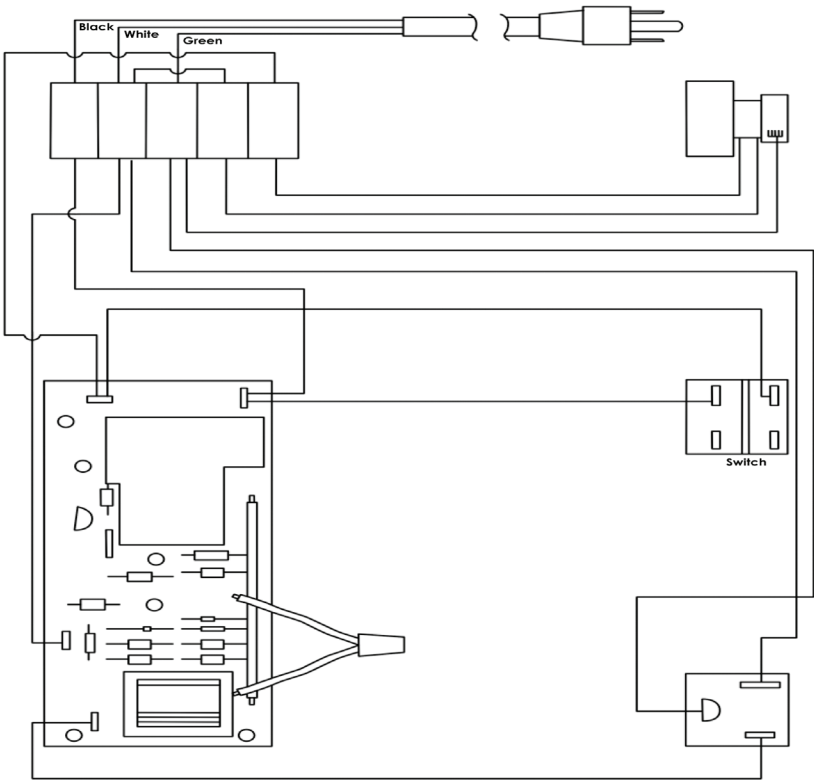
## ALPHA® HEPA VACUUM FILTER / TANK PARTS LIST

DRAWING NO.	PART NO.	DESCRIPTION	QUANTITY
1	HEP100483	HEPA Filter Assembly (Filter, Gasket & Dacron Filter Bag)	1
2	HEP701905	10 Gallon Tank	1
3	HEP100464	Steel Clamp	2
4	HEP700191	Stainless Steel Screw	4
5	HEP910068	Washer	4
6	HEP932635	Nut 10-24	4
7	HEP701889	Hose Inlet w/Gasket	1
8	HEP100463	Steel Caster	4
9	HEP777501	Paper Bag (Only sold as 10pk Part No. HEP777510)	1

# TROUBLESHOOTING GUIDE

PROBLEM POSSIBLE CAUSE	CORRECTIVE ACTION
<b>LOSS OF SUCTION</b> 1. Obstruction in hose or wand 2. Clogged filter assembly 3. Uneven gasket fit 4. Collection can rim is chipped or cracked	1. Clean hose or wand 2. Clean or replace filter 3. Reposition or replace gasket 4. Replace Plastic tank
<b>MOTOR WON'T RUN</b> 1. Blown building fuse or tripped circuit breaker 2. Defective switch 3. Defective power cord 4. Worn motor brushes	1. Replace fuse or circuit breaker 2. Replace switch 3. Replace power cord 4. Replace Brushes
<b>OPERATOR BEING SHOCKED</b> 1. Defective ground in vacuum or building	1. Consult a qualified electrician to check and repair ground circuit.

## WIRING DIAGRAM



## ► ACCESSORIES AND FACTORY SERVICE

All the accessories can be purchased at a local distributor in your area. For more information concerning Alpha® HEPA Dry Vacuum and factory service, please contact the Alpha® distribution centers listed below.

COMPANY HEADQUARTERS:	Alpha Professional Tools® 103 Bauer Drive Oakland, NJ 07436
Hours of Operation:	8:30 a.m. – 5:00 p.m. EST
Telephone Number:	201-337-3343
Toll-Free Number:	800-648-7229
E-mail Spare Parts orders to:	tooldesk@alpha-tools.com
Technical Support:	technicalsupport@alpha-tools.com
Visit us on the web at:	www.alpha-tools.com

### **Limited Warranty of Alpha® HEPA Dry Vacuum for the USA and Canada ONLY!**

Alpha Professional Tools® warrants this product against defects in material and workmanship for a period of 1 year from the date of original retail purchase (proof of purchase required). If Alpha Professional Tools® receives notice of such defects during the warranty period, our obligation assumed under this warranty is limited to the repair or replacement of parts, without charge. This warranty does not apply to tool accessories.

**Parts not covered under warranty are power cords, filters, motor brushes and squeegee blades. The warranty covers only failure due to defective parts or workmanship and will be invalidated by improper application and abuse. In NO circumstance should you return a failed unit to the factory. If you experience any problems with your vacuum during the warranty period, contact our Tool Department.**

**For Warranty Claims:** Send complete tool with all your information and details of the problem to the Alpha Professional Tools®, transportation prepaid. Do not send tool accessories.

# PRODUCT REGISTRATION CARD

Model No. \_\_\_\_\_

Serial No. \_\_\_\_\_

Company Name: \_\_\_\_\_

Name: \_\_\_\_\_

Address: \_\_\_\_\_

City: \_\_\_\_\_ State: \_\_\_\_\_ Zip: \_\_\_\_\_

Telephone: \_\_\_\_\_

Purchase Date: \_\_\_\_\_

Dealer's Name: \_\_\_\_\_

**Note:** Serial & Model Number must be included for proper registration.



**Alpha Professional Tools®**

**(800) 648-7229**



**Register online at:**  
**[www.alpha-tools.com/productregistration.aspx](http://www.alpha-tools.com/productregistration.aspx)**

**Mail or Fax to:**  
**Alpha Professional Tools®**  
**103 Bauer Drive, Oakland, NJ 07436**  
**Fax: 800-286-0114**

Photocopy of product registration form will be accepted.



103 Bauer Drive, Oakland, NJ 07436 • 800-648-7229 • Fax: 800-286-0114  
[www.alpha-tools.com](http://www.alpha-tools.com)

Copyright © 2012 Alpha Professional Tools. All rights reserved.

08/2012

---