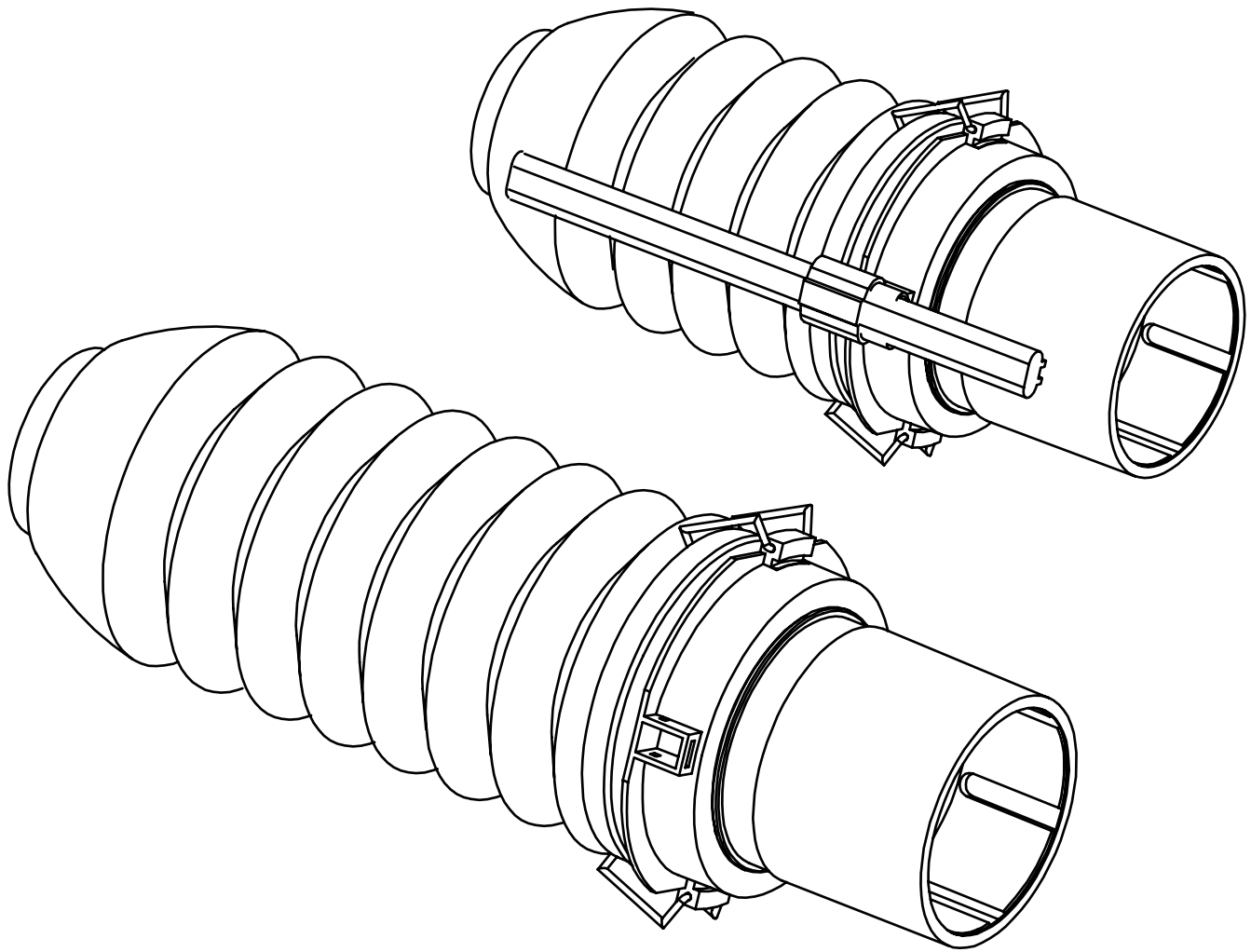

ALPHA[®] ECOGUARD TYPE D

Collects Dust & Debris with Ease While Using Drills/Hammer Drills

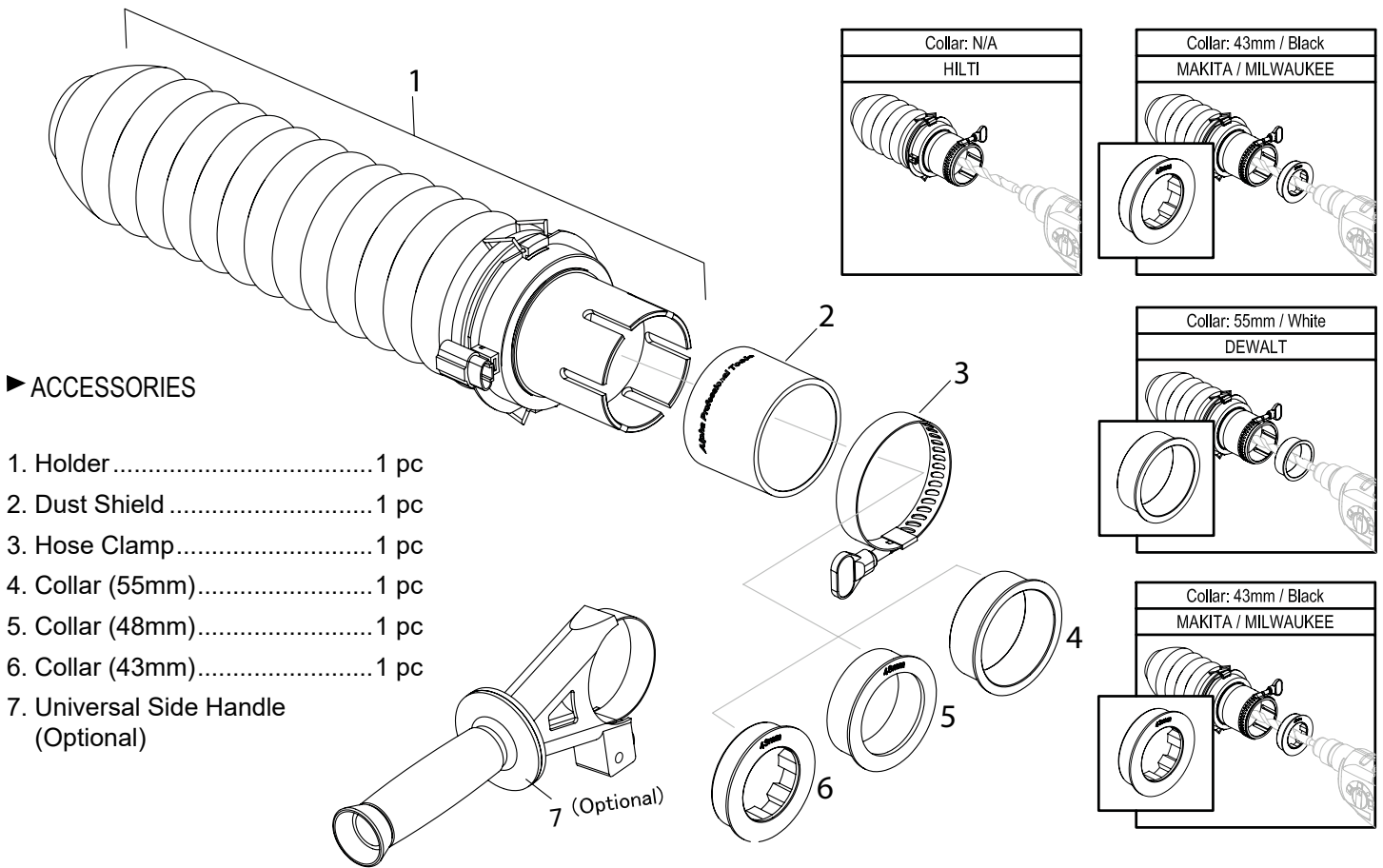


Part No: ECOGRDDL & ECOGRDDS
Version 1



103 Bauer Drive, Oakland, NJ 07436 • 800-648-7229 • Fax: 800-286-0114
www.alpha-tools.com

ECOGUARD TYPE D OVERVIEW



► ACCESSORIES

- 1. Holder 1 pc
- 2. Dust Shield 1 pc
- 3. Hose Clamp 1 pc
- 4. Collar (55mm) 1 pc
- 5. Collar (48mm) 1 pc
- 6. Collar (43mm) 1 pc
- 7. Universal Side Handle (Optional)

INSTALLING THE DUST COLLECTION COVER

