

---

# Alpha<sup>®</sup> Ecocutter Dry Tile Cutting System

## Parts List and Schematic



**Part No: ECC-STAND - ECC-TABLE - ECC-125**

---

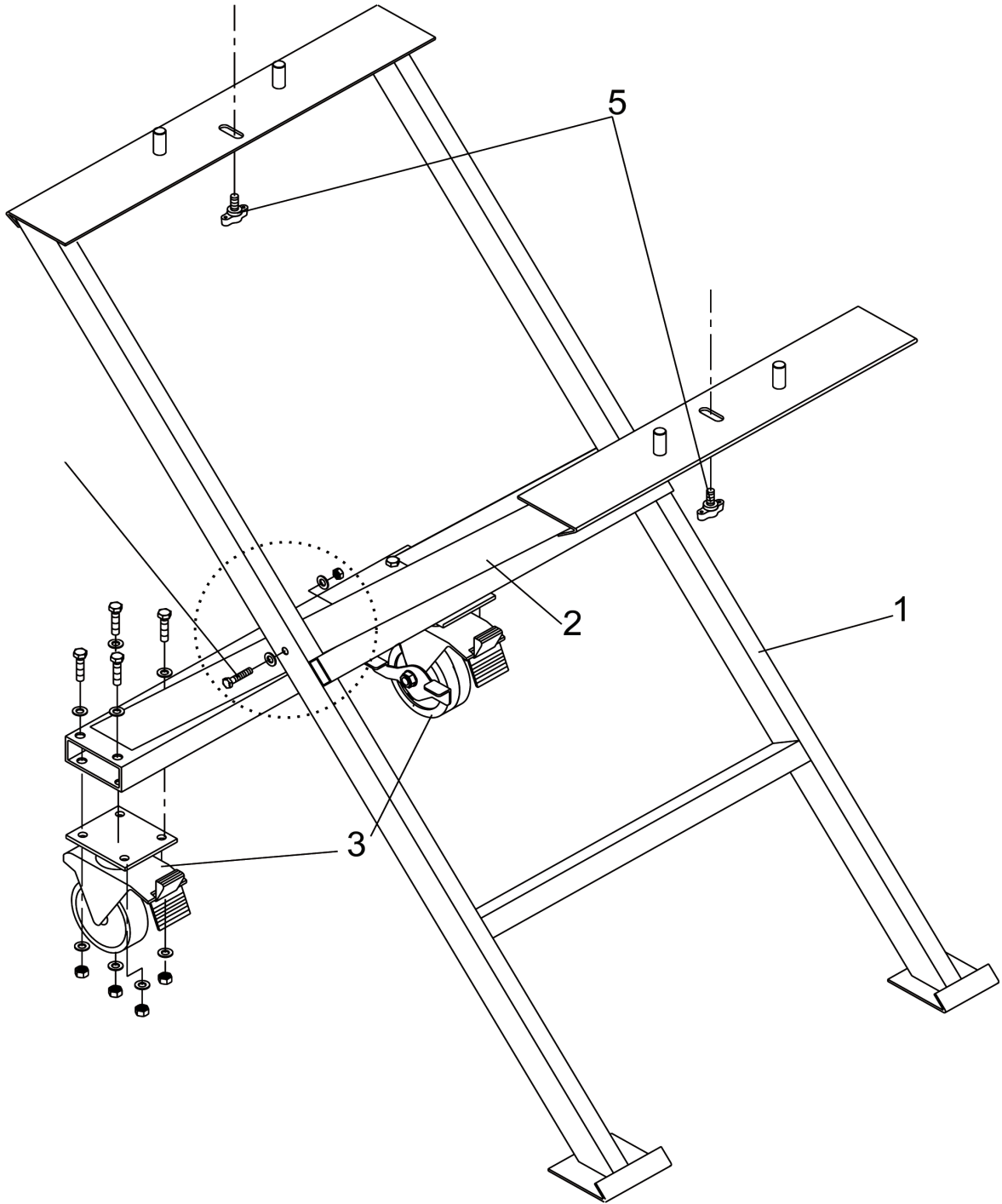


103 Bauer Drive, Oakland, NJ 07436 • 800-648-7229 • Fax: 800-286-0114  
[www.alpha-tools.com](http://www.alpha-tools.com)

ECC-STAND/ECC-TABLE/ECC-125 PARTS LIST AND SCHEMATIC  
FEBRUARY 2013

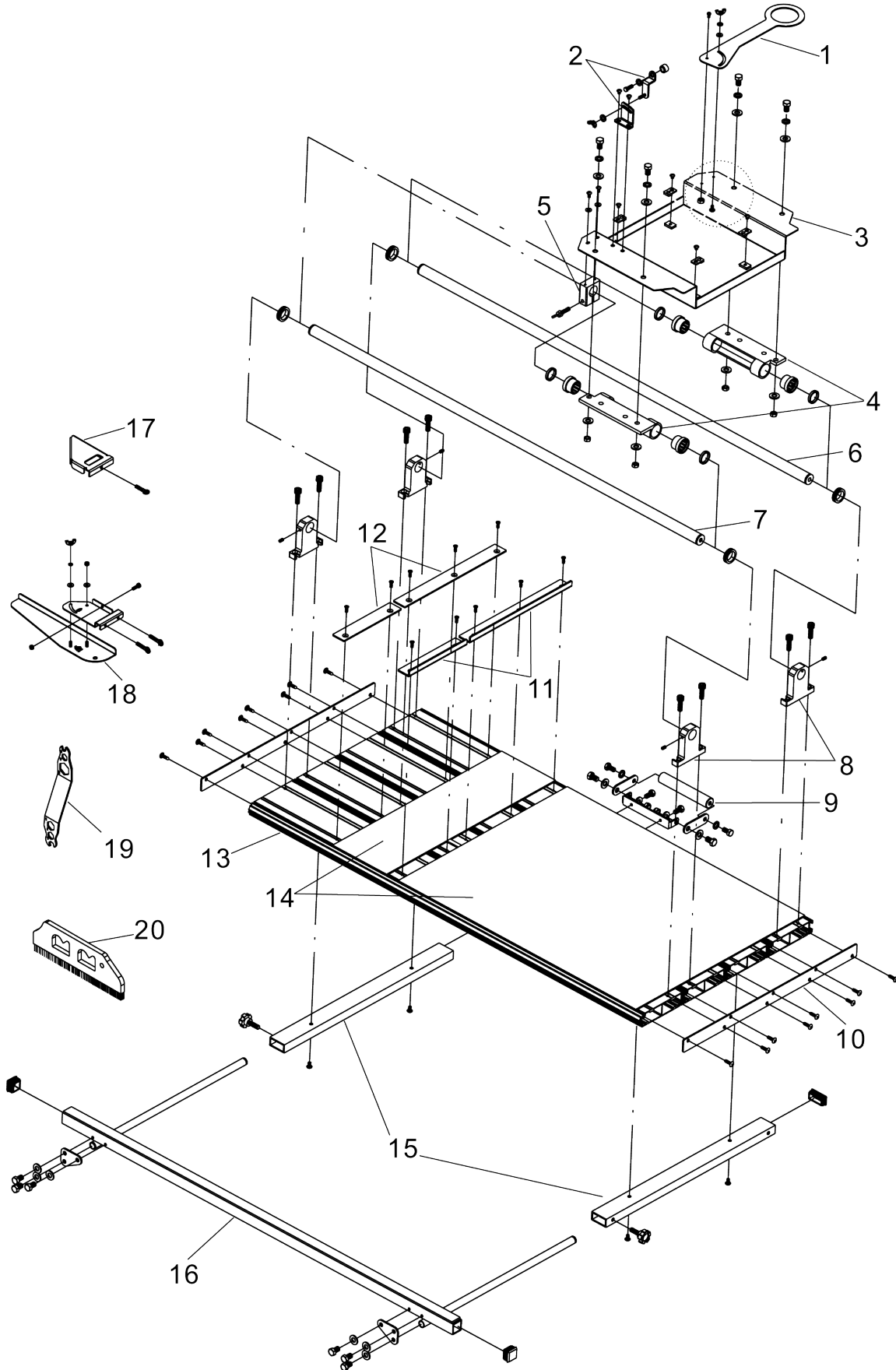
Copyright © 2009 Alpha Professional Tools. All rights reserved.

# ALPHA® ECOCUTTER STAND PARTS LIST



| Drawing No. | Part No. | Item Description                                 | MSRP    |
|-------------|----------|--|---------|
| 1           | 200020   | Front Saw Stand                                  | \$30.73 |
| 2           | 200021   | Rear Saw Stand                                   | \$35.03 |
| 3           | 200022   | Wheel/Brake Assembly (w/4 screws, washers, nuts) | \$20.28 |
| 4           | 200026   | Saw Stand Screw Set                              | \$ 1.23 |
| 5           | 200024   | Wing Screws                                      | \$ 0.74 |
| —           | 200023   | Saw Stand Assembly                               | \$66.98 |

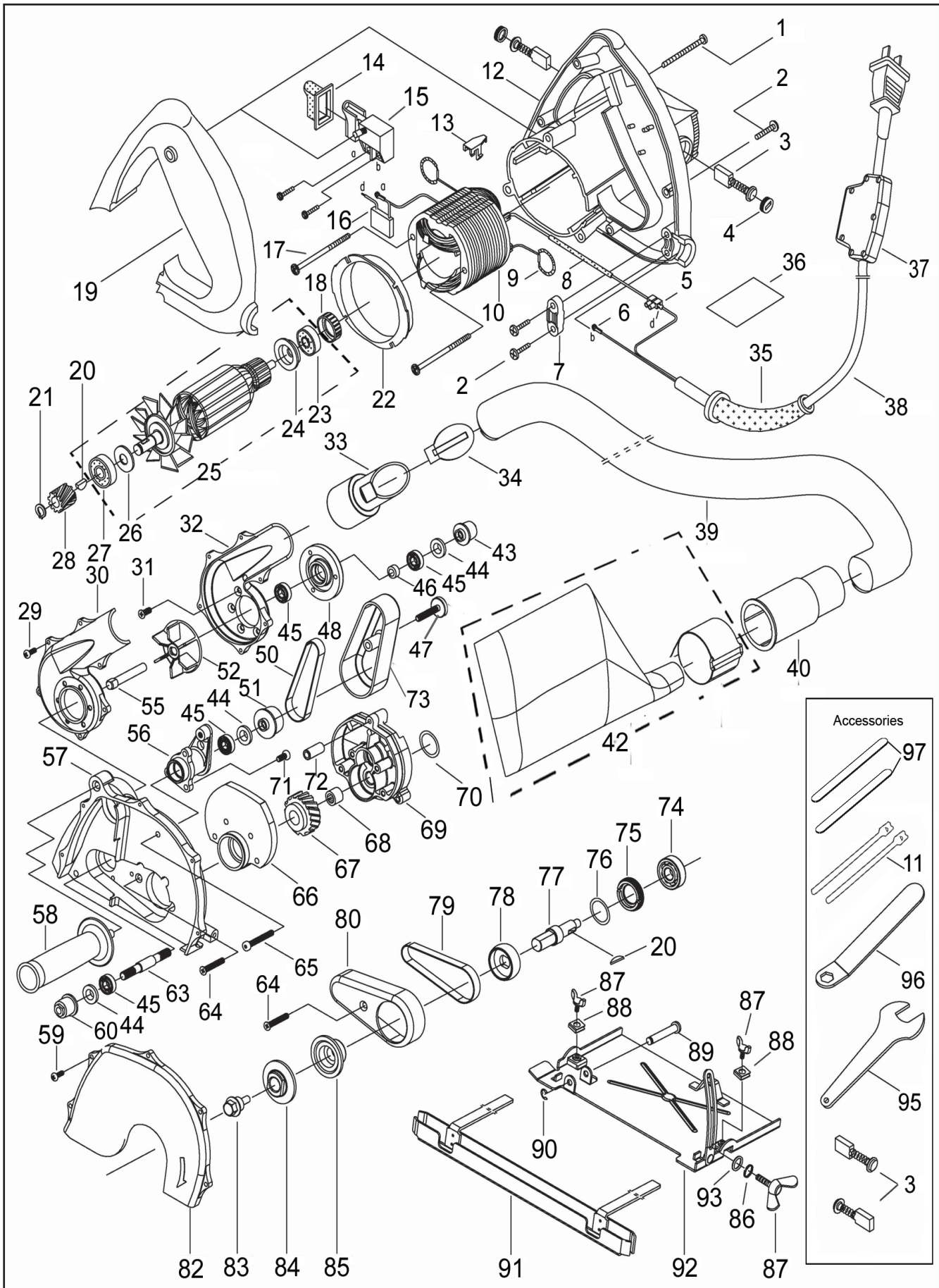
# ALPHA® ECOCUTTER TABLE SCHEMATIC (ECC-TABLE)



## ALPHA® ECOCUTTER TABLE PARTS LIST

| Drawing No. | Part No. | Item Description                            | MSRP     |
|-------------|----------|---|----------|
| 1           | 200001   | Hose Holder Assembly                        | \$ 7.08  |
| 2           | 200002   | Stabilizer Assembly                         | \$ 8.67  |
| 3           | 200003   | Saw Base Assembly                           | \$ 61.03 |
| 4           | 200004   | Tube Slider Assembly                        | \$ 24.58 |
| 5           | 200005   | Base Stopper Assembly                       | \$ 10.25 |
| 6           | 200006   | Hollow Rail Tube Assembly                   | \$ 11.06 |
| 7           | 200007   | Solid Rail Tube Assembly                    | \$ 21.83 |
| 8           | 200008   | Rail Holder Assembly                        | \$ 23.70 |
| 9           | 200009   | Carry Handle Assembly                       | \$ 8.73  |
| 10          | 200010   | End Seal Plate Assembly                     | \$ 12.05 |
| 11          | 200011   | Removable Ruler Stopper Assembly            | \$ 11.43 |
| 12          | 200012   | Removable Filler Assembly                   | \$ 8.92  |
| 13          | 200013   | Assembled Table                             | \$224.43 |
| 14          | 200014   | Rubber Mat Set                              | \$ 19.91 |
| 15          | 200015   | Side Extension Support Slider Tube Assembly | \$ 15.93 |
| 16          | 200016   | Side Extension Support Assembly             | \$ 29.72 |
| 17          | 200017   | Rip Guide Assembly                          | \$ 7.82  |
| 18          | 200018   | Angle Guide Assembly                        | \$ 13.57 |
| 19          | 200019   | Universal Wrench                            | \$ 1.92  |
| 20          | 200025   | Brush                                       | \$ 3.69  |

# ALPHA® ECOCUTTER SCHEMATIC (ECC-125)



# ALPHA® ECOCUTTER PARTS LIST

| Drawing No. | Part No.      | Item Description                    | MSRP    |
|-------------|---------------|-------------------------------------|---------|
| 1           | 133080        | Screw M5x40                         | \$ 0.94 |
| 2           | 130031        | Self-tapping Screw 3.9 x 19         | \$ 0.30 |
| 3           | 133033        | Carbon Brush (2pc set)              | \$ 7.14 |
| 4           | 133032        | Brush Cap                           | \$ 1.26 |
| 5           | 130618        | Block Terminal                      | \$ 0.35 |
| 6           | 133040        | Wire Terminal                       | \$ 0.16 |
| 7           | 133086        | Cable Clamp                         | \$ 0.19 |
| 8           | 133042        | Insulation Pipe                     | \$ 0.32 |
| 9           | 133034        | Brush Terminal Assembly             | \$ 1.86 |
| 10          | 133436/133004 | Field Coil 110V/220v                | \$38.01 |
| 11          | 133551        | Hook & Loop Straps                  | \$ 2.03 |
| 12          | 133003        | Rear Motor Housing (Blue)           | \$13.59 |
| 13          | 133041        | Cable Clip                          | \$ 0.34 |
| 14          | 133044        | Rubber Switch Cover                 | \$ 0.64 |
| 15          | 133043        | Switch (With Screw)                 | \$14.41 |
| 16          | 133392        | Condenser Assembly                  | \$ 0.93 |
| 17          | 133029        | Self-tapping Screw 4.8x65           | \$ 0.49 |
| 18          | 133028        | Bearing Sleeve                      | \$ 0.78 |
| 19          | 133078        | Handle (for ECC-125)                | \$ 3.59 |
| 20          | 133050        | Woodruff Key                        | \$ 0.45 |
| 21          | 133051        | Snap Ring M8                        | \$ 0.05 |
| 22          | 133030        | Air Bridge                          | \$ 0.90 |
| 23          | 133025        | Bearing 608-2RZ                     | \$ 5.90 |
| 24          | 133024        | Insulation Disc                     | \$ 0.17 |
| 25          | 133439/133012 | Armature 110V/220V                  | \$45.45 |
| 26          | 133026        | Bearing Cover                       | \$ 0.17 |
| 27          | 133027        | Bearing 629-2RZ                     | \$ 5.71 |
| 28          | 133048        | Gear (Small)                        | \$ 8.66 |
| 29          | 133460        | Self-Tapping Screw 3.9 x 16         | \$ 0.13 |
| 30          | 133493        | Fan Case L                          | \$ 2.69 |
| 31          | 133505        | Cap Screw M5x10                     | \$ 0.47 |
| 32          | 133497        | Fan Case R                          | \$ 2.69 |
| 33          | 133531        | Dust Gate                           | \$ 2.00 |
| 34          | 133530        | Anti Back-Flow Flap                 | \$ 1.21 |
| 35          | 133047        | Cable Sleeve                        | \$ 1.08 |
| 36          | 133452/133547 | Rated Plate 110V/220V               | \$ 0.18 |
| 37          | 133475/133546 | Breaker Assembly (w/cord) 110V/220V | \$18.86 |
| 38          | 133474        | Cord (w/o breaker) 110V             | \$15.04 |
| 39          | 133533        | Dust Hose                           | \$20.70 |
| 40          | 133532        | Dust Bag Holder                     | \$ 2.43 |
| 42          | 133544        | Dust Bag w/Strap 17"x13 1-1/2" x12" | \$12.81 |
| 43          | 133503        | Pulley (Outside) 21mm OD LHT (Fan)  | \$ 6.53 |

## ALPHA® ECOCUTTER PARTS LIST

| Drawing No. | Part No. | Item Description                  | MSRP     |
|-------------|----------|-----------------------------------|----------|
| 44          | 133502   | Felt Rings D19xD12xT2             | \$ 0.92  |
| 45          | 133492   | Bearing 698 2RS                   | \$ 8.22  |
| 46          | 133498   | Spacer D12xd8.5x4T                | \$ 2.50  |
| 47          | 133511   | Knob Bolt                         | \$ 0.53  |
| 48          | 133500   | Bearing Housing                   | \$ 10.30 |
| 50          | 133508   | Outer Belt                        | \$ 9.05  |
| 51          | 133488   | Pulley (Outside) 24mm OD RHT      | \$ 6.56  |
| 52          | 133495   | Fan                               | \$ 2.91  |
| 55          | 133496   | Fan Shaft                         | \$ 5.48  |
| 56          | 133486   | Housing Adapter                   | \$ 7.27  |
| 57          | 133483   | Main Housing                      | \$20.82  |
| 58          | 801086   | Side Handle (for AWS-125/ECC-125) | \$ 7.27  |
| 59          | 133522   | Screw M4x15                       | \$ 0.45  |
| 60          | 133490   | Pulley (Inside) 18mm OD RHT       | \$ 6.43  |
| 63          | 133487   | Pulley Shaft                      | \$ 6.02  |
| 64          | 133513   | Screw M4 x 25                     | \$ 0.49  |
| 65          | 133545   | Screw M5x40                       | \$ 0.45  |
| 66          | 133386   | Gear Housing                      | \$ 9.84  |
| 67          | 133058   | Gear (Big)                        | \$10.25  |
| 68          | 133066   | Needle Bearing Bk 0810            | \$ 5.76  |
| 69          | 133368   | Gear Housing                      | \$ 9.08  |
| 70          | 133067   | O-Ring 25.5 x 2                   | \$ 0.22  |
| 71          | 133512   | Screw M5 x 15                     | \$ 0.63  |
| 72          | 133529   | Sleeve                            | \$ 2.65  |
| 73          | 133510   | Outer Cover                       | \$ 1.85  |
| 74          | 133053   | Bearing 6201-2RS                  | \$ 9.28  |
| 75          | 133060   | Screw Cap                         | \$ 1.81  |
| 76          | 133062   | O Ring 18x2.5                     | \$ 0.23  |
| 77          | 133481   | Spindle (for ECC-125)             | \$ 9.31  |
| 78          | 133506   | Pulley (Inside) 36mm OD Spindle   | \$ 5.72  |
| 79          | 133509   | Inner Belt                        | \$ 9.90  |
| 80          | 133514   | Inner Cover                       | \$ 1.08  |
| 81          | 133515   | Screw M5x30 (use part # 133513)   | \$ 0.49  |
| 82          | 133521   | Side Cover                        | \$ 5.92  |
| 83          | 133519   | Flange Bolt                       | \$ 5.32  |
| 84          | 133518   | Flange Outer (for ECC-125)        | \$ 2.97  |
| 85          | 133516   | Flange Inner (for ECC-125)        | \$ 6.89  |
| 86          | 133071   | Flat Washer M6                    | \$ 0.14  |
| 87          | 133084   | Wing Screw                        | \$ 0.96  |

## ALPHA® ECOCUTTER PARTS LIST

| Drawing No. | Part No. | Item Description                  | MSRP    |
|-------------|----------|-----------------------------------|---------|
| 88          | 133269   | Washer For Ruler                  | \$ 0.64 |
| 89          | 133528   | Guide Pin                         | \$ 3.31 |
| 90          | 130798   | Retaining Rings-E                 | \$ 0.16 |
| 91          | 133527   | TT Ruler Guide (for ECC-125)      | \$ 9.11 |
| 92          | 133523   | Base Plate Assembly               | \$16.50 |
| 93          | 133072   | Spring Washer M6                  | \$ 0.14 |
| 95          | 133535   | Wrench (for ECC-125)              | \$ 0.94 |
| 96          | 133534   | Hexagon Ring Spanner              | \$ 0.91 |
| 97          | 133369   | Felt Strip Set                    | \$ 1.39 |
| 98          | 133615   | Felt Rings D26.6xD12.5xT2         | \$ 1.05 |
| 99          | 133616   | Dust Shield D43xD23xT0.35         | \$ 1.05 |
| 100         | 133617   | Inner Cover Gasket (for ECC-125)  | \$ 1.38 |
| (Not Shown) | 133536   | BMC (Blow Mold Case) for ECC-125  | \$32.93 |
| (Not Shown) | 801392   | Dust Bag for Carriage 16x13-1/2x8 | \$12.81 |