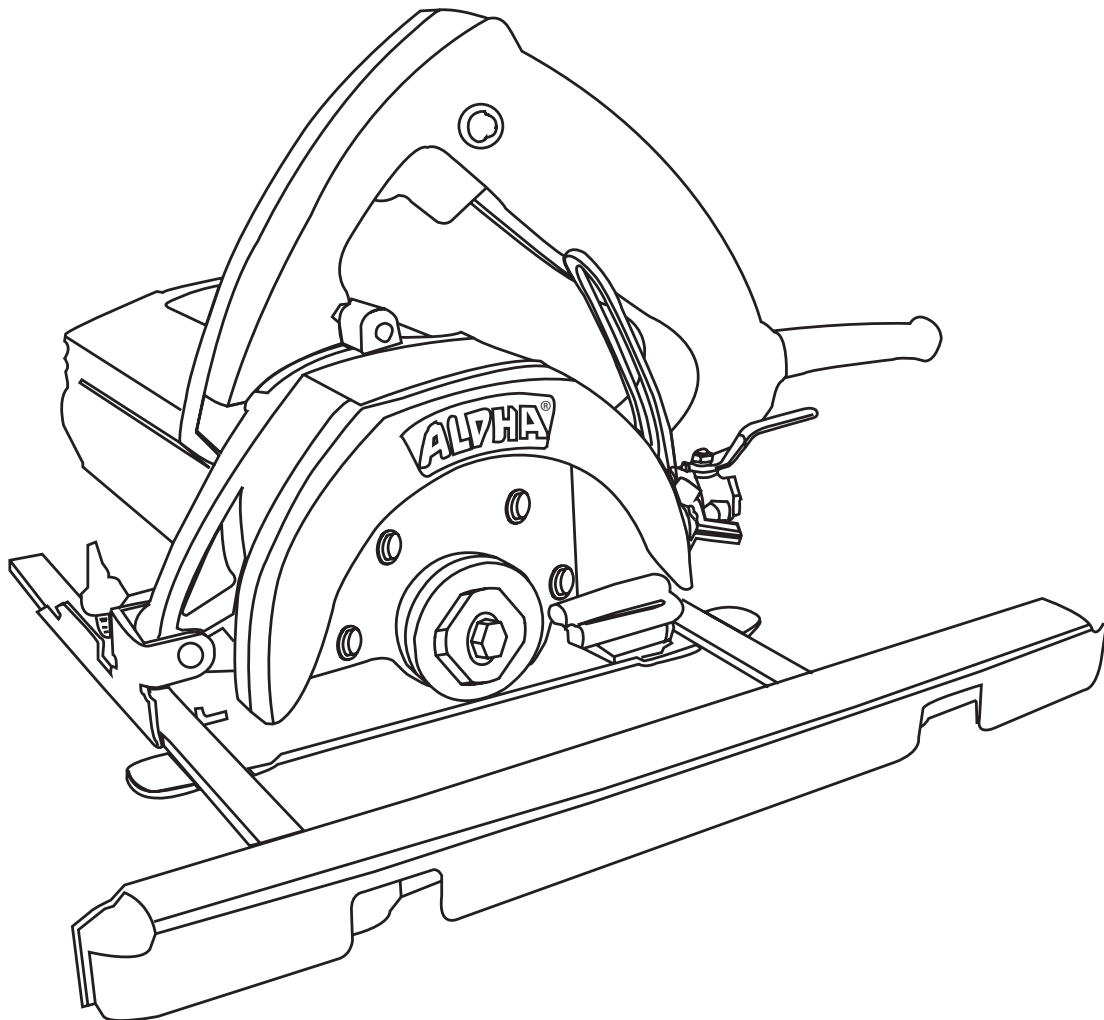


Alpha[®] Wet Stone Cutter Instruction Manual



Part No: AWS-110 / AWS-220

 **Alpha Professional Tools**[®]

103 Bauer Drive, Oakland NJ 07436 • 800-648-7229 • Fax: 800-286-0114
www.alpha-tools.com

TABLE OF CONTENTS


<i>Introduction</i>	3
<i>About the Symbols</i>	3
<i>Electrical Symbols</i>	3
<i>Safety instructions</i>	4
<i>For Safe Operation</i>	4
<i>AWS-110 Overview</i>	6
<i>Accessories</i>	7
<i>Additional Precautions for Using the Wet Stone Cutter</i>	8
<i>AWS-110 Wet Stone Cutter Operation</i>	9
<i>Main connection</i>	9
<i>Switching On and Off</i>	9
<i>Ground fault circuit interrupter</i>	10
<i>Before Use</i>	11
<i>About Double Installation</i>	11
<i>Laws and Regulations of Noise Levels</i>	11
<i>Instruction for installing the felts strips</i>	11
<i>Installation of water attachment</i>	13
<i>Water flow</i>	14
<i>Adjusting Cutting Depth</i>	14
<i>Free-Cutting</i>	15
<i>Cutting Using the Ruler Guide</i>	15
<i>Cutting Using the Carriage Assembly and Guide Rail</i>	16
<i>Blade Inspection, Installation and Removal</i>	17
<i>AWS-110 Maintenance</i>	18
<i>Replacing and Checking the Carbon Brushes</i>	19
<i>Recommended Accessories</i>	23
<i>AWS-110 Wet Stone Cutter Schematic</i>	24
<i>AWS-110 Wet Stone Cutter Parts List</i>	25
<i>Optional: Carriage Assembly Schematic</i>	27
<i>Carriage Assembly Parts List</i>	28
<i>EC Declaration of Conformity</i>	29
<i>Services and Warranty Information</i>	30
<i>Loaner Program</i>	30
<i>Need More Information</i>	30
<i>Warranty</i>	30
<i>Product Registration Card</i>	31


INTRODUCTION


Thank you for purchasing the Alpha® AWS-110 Wet Stone Cutter. Please read this instruction manual thoroughly to ensure safe and correct use of the wet stone cutter. Keep this manual in a place where operators can access it easily whenever necessary.

► ABOUT THE SYMBOLS

According to the hazard level, all safety notes in this manual are classified into “**DANGER**”, “**WARNING**”, and “**CAUTION**”.

 **DANGER!** Death or serious personal injury is imminent when handling this tool incorrectly.


 **WARNING!** There is a possibility of death or serious personal injury when handling this tool incorrectly.

 **CAUTION!** There is a possibility of personal injury or property damage when handling this tool incorrectly.

NOTE: In some situations, failing to observe WARNING notes could result in death or serious personal injury. Be sure to read and observe the safety notes to ensure safety and correct use of the wet stone cutter.

ELECTRICAL SYMBOLS

The following show the symbols used for tool.

V	Volts
A	Amperes
Hz	Hertz
~ or a.c.	Alternating Current
n0	No load speed
.../min	Revolution or reciprocation per minute
kg	Kilograms
	Protective Earth

Note: In some situations, failing to observe WARNING notes could result in death or serious personal injury. Be sure to read and observe the safety notes to ensure safe and correct use of the wet stone cutter.

 **CAUTION!**

The following are important notes for products, operation, and maintenance applicable to this stone cutter.

► **SAFETY INSTRUCTIONS** 

Read all these instructions before attempting to operate this product.

 **WARNING!**

When using electric tools, basic safety precautions should always be followed to reduce the risk of fire, electric shock, and personal injury, including the following.

For Safe Operation

1. **Keep work area clean**
Cluttered areas and benches invite injuries.
2. **Consider work area environment**
Do not expose power tools to rain. Do not use power tools in damp or wet locations without GFCI protection. Keep work areas well lit. Do not use the tool in presence of flammable liquids or gases.
3. **Guard against electric shock**
Prevent body contact with grounded surfaces. For example: pipes, radiators, ranges, and refrigerator enclosures; use grounded outlets.
4. **Keep children and visitors away**
Do not let visitors contact tool or extension cord. All visitors should be kept away from work area. Keep out of reach of children.
5. **Tool Storage**
When not in use, tools should be stored in a secure dry location. A locked storage area or high shelf out of children's reach is ideal.
6. **Do not force the tool**
It will do the job better and be safer at the rate for which it was intended.
7. **Use the right tool**
Do not force a small tool or attachment to do the job of a heavy-duty tool. Do not use the tool for purposes it is not designed for – (for example – do not use stone cutter for cutting tree limbs or logs.)
8. **Dress properly**
Do not wear loose clothing or jewelry. Items such as these can be caught in moving parts. Rubber gloves and non-skid footwear are recommended when working outdoors. Wear protective hair covering to contain long hair.
9. **Use safety equipment**
Always wear safety glasses and if necessary, a face shield, dust mask and hearing protection.

- 10. Do not abuse the electrical cord**

Never carry the tool by the electrical cord or pull it to disconnect from receptacle. Keep the electrical cord away from heat, oil and sharp edges.
- 11. Secure workpiece**

Use clamps or a vise to hold workpiece rather than using your hands.
- 12. Do not overreach**

Keep proper footing and balance at all times.
- 13. Maintain tools with care**

Keep tools sharp and clean for better and safer performance. Follow instructions for lubricating and changing accessories. Inspect the electrical cord periodically and if damaged, have it repaired by authorized service facility. Inspect extension cords periodically and replace if damaged. Keep handles dry, clean and free from oil and grease.
- 14. Disconnect tools**

Disconnect the tool from the power supply when not in use, before servicing, and when changing accessories, such as blades, bits, cutters.
- 15. Remove adjusting keys and wrenches**

Check to see that keys and adjusting wrenches are removed from the tool before turning it on.
- 16. Avoid unintentional starting**

Do not carry a plugged-in tool with finger on switch. Be sure the switch is off when plugging in.
- 17. Outdoor use extension cords**

When tool is used outdoors, use only extension cords intended for use outdoors and so marked.
- 18. Stay alert**

Use caution and do not operate tool when you are tired or on medication.
- 19. Check for damaged parts**

Before using the tool each day, a guard or other part that is damaged should be carefully checked to determine that it will operate properly and perform its intended function. Check for alignment of moving parts, breakage of parts, mounting, and any other conditions that may affect its operation. A guard or other part that is damaged should be properly repaired or replaced by an authorized service center unless otherwise indicated elsewhere in this instruction manual. Have defective switches replaced by authorized service center. Do not use the tool if it cannot be turned on and off by the switch.
- 20. Warning**

The use of any other accessory or attachment other than recommended in this instruction manual or the catalog may present a risk of personal injury and could void the warranty.
- 21. Only qualified technicians should repair this tool**

This electric tool is manufactured in accordance with the standard safety rules. Only experts may carry out the repair of electric tools; otherwise, it may cause considerable danger for the operator.

AWS-110 OVERVIEW

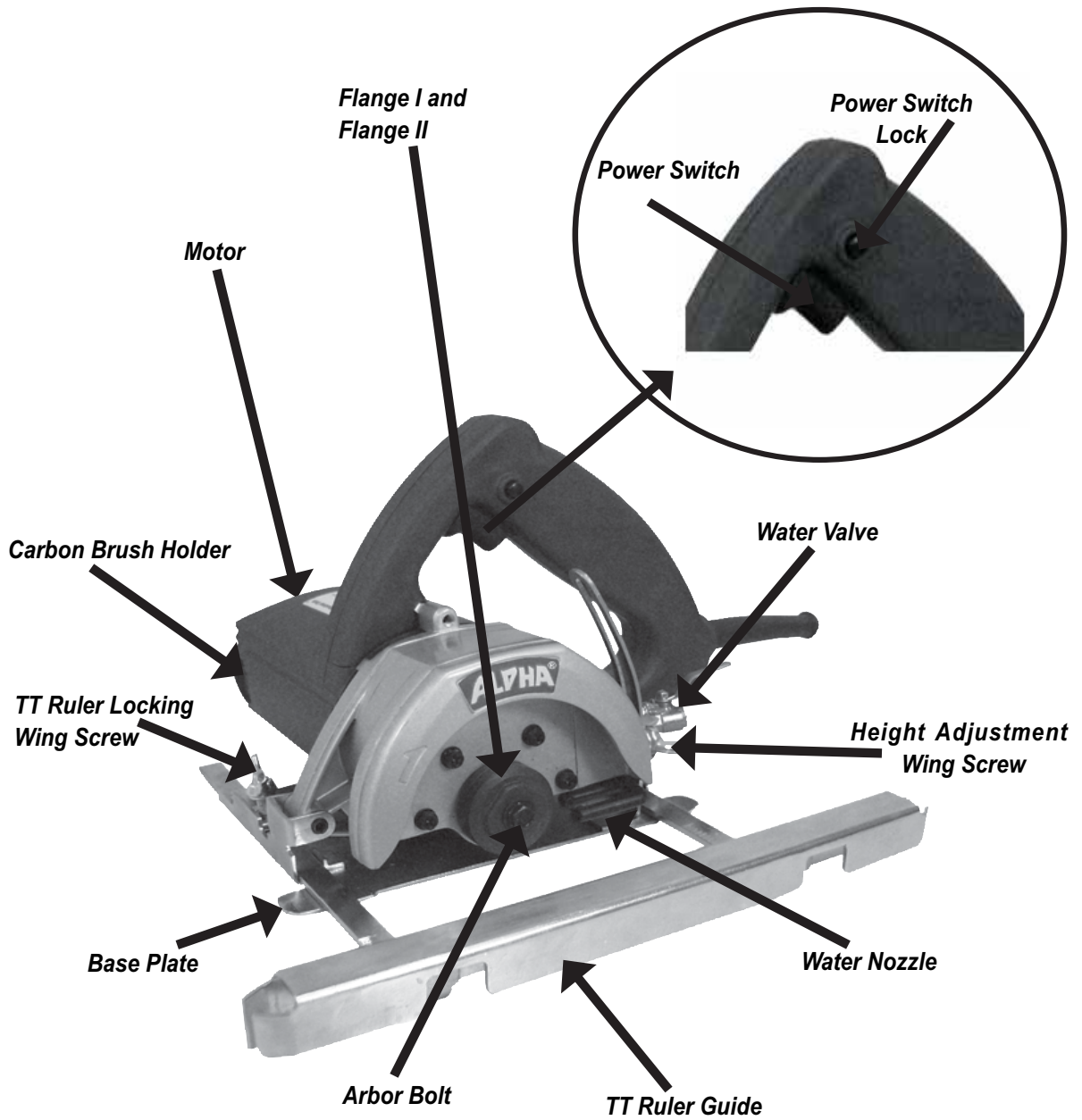


Figure-1

► SPECIFICATIONS

Rating	110/220 Volts
Amperage	11.2/5.5
Power	1200W
No-load Speed	13,000 RPM
Weight	6.8 lbs/3.1kg
Arbor.....	20mm
Cutting Disc Diameter	4" / 100mm, 4-1/2" / 115mm
Maximum Cutting Depth.....	1-1/4" / 32mm

► **ACCESSORIES**



Figure-2

COMPONENTS:

1. Ground Fault Circuit Interrupter (Part No. 133289/133292)
2. Water Valve (Part No. 133362)
3. Water Attachment Assembly (Part No. 133287)
4. Spanner Wrench M 22 (Part No. 133097)
5. TT Ruler Guide (reversible) (Part No. 133266)
6. T-Handle Wrench (Part No. 133098)
7. Extra Carbon Brush (2 pc set) (Part No. 133033)
8. Self-stick Felt Strip Set (Part No. 133369)

ADDITIONAL PRECAUTIONS FOR USING THE WET STONE CUTTER

In addition to the general safety notes described on the preceding pages, please read and observe the following precautionary notes before using the wet stone cutter.

 **DANGER!**

► **INSTRUCTIONS**

Alpha Professional Tools® provides the highest quality parts and manufacturing techniques in the manufacture of this tool. In order to obtain the maximum effectiveness and provide the highest degree of safety, it is necessary to review and follow these instructions carefully before using the tool.

► **SAFETY ADVICE**

- Please note safety instructions on Page 3-5.
- Do not pierce the motor housing as this could damage the double insulation.
- Always remove plug from the outlet before making any changes to the settings or carrying out maintenance.
- Only plug-in when machine is switched off.
- Keep power cable clear from working range of the machine. The power cable should always lead away from you and behind the operating area.
- Before use, check the machine, cable and plug for any damages or material fatigue, only authorized service agents should carry out repairs.
- After switching off, the machine will not idle down immediately. Allow the machine to come to a complete stop before putting it down.
- Always wear safety glasses and ear protection when working with this machine. It is further recommended to wear safety gloves, apron, as well as sturdy non-slipping shoes.
- Only use saw blades whose permitted speed is at least as high as the highest no-load speed of the machine.
- Be sure saw blade fits tool properly and securely. Do not modify the tool to force fit the blade. For example do not remove blade guard.
- Check cutting tools before use. The saw blade must be properly mounted and turn freely. Perform a test run for at least 30 seconds without any load. Do not use damaged, out of round or vibrating cutting tools.
- Immediately switch off the machine in case of considerable vibrations or if other malfunctions occur. Check the machine in order to find out the cause.

- Always use and store the saw blades according to the manufacturer's instructions. The flange bolt must be tightened before starting to work with the machine.
- The work piece must be secured if it is not heavy enough to prevent movement.
- Do not use emery wheel.
- The tool is designed for cutting on horizontal surfaces.

USAGE

This wet stone cutter can be used for cutting many different materials, e.g. tile, concrete, stone or glass. In case of doubt please read the manufacturer's instruction. Do not use this product in any other way as stated for normal use.

AWS-110 WET STONE CUTTER OPERATION

► MAIN CONNECTION

Connect only to single-phase AC current supply and only to the main voltage specified on the rating plate. Connection to sockets without ground protection is possible as the appliance features protective insulation to DIN 57/740/ VDE 0740 and CEE 20. Radio suppression complies with the European standard EN 55014.

► SWITCHING ON AND OFF

Intermittent use

Switching on: Press switch trigger

Switching off: Release switch trigger

Continuous use:

Switching on: Press the on/off switch and then the locking button; release on-off switch.

Switching off: Press the on/off switch and then release.

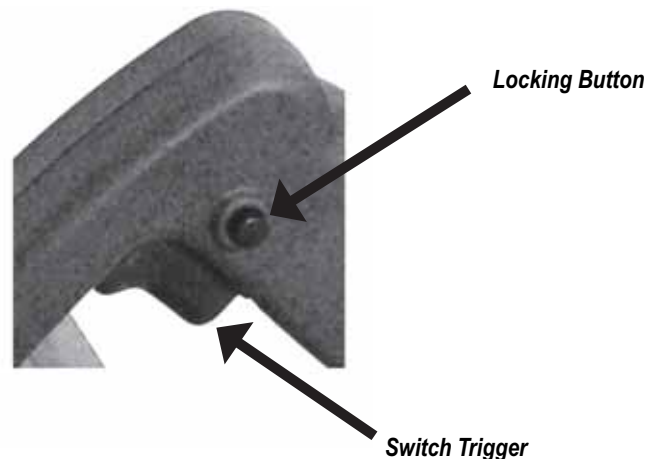


Figure-3

► **GROUND FAULT CIRCUIT INTERRUPTER:**

⚠ DANGER!

Do not bypass the GFCI if this condition occurs, a real shock hazard may exist.

⚠ WARNING!

If the GFCI fails to trip when the test button is pressed, or fails to reset, the device is defective and should be replaced.

If the GFCI tests properly without a load applied, but trips each time a load is connected, then the load (tool) has a ground fault condition and needs to be repaired or replaced. Do not bypass the GFCI if this condition occurs, a real shock hazard may exist.

⚠ CAUTION!

1. The GFCI is a safety device, do not use as an off/on switch.
2. The GFCI on the tool will not protect you if you cut into another current carrying conductor.
3. Do not use where water may enter GFCI case.
4. Do not modify or allow GFCI to be immersed in water.

A Ground Fault Circuit Interrupter (GFCI) is mounted at the end of power supply cord. The GFCI goes OFF when water enters inside the tool's housing preventing the operator from receiving electric shocks.

When the GFCI goes OFF, the Reset button pops up. This is the result of water entering the stone cutter housing.

Turn OFF the power switch and blow dry air inside the motor cover through the air vents.

Press the GFCI Reset button. The stone cutter is ready to start working after the reset button is pressed down.

1. Do not remove the GFCI.

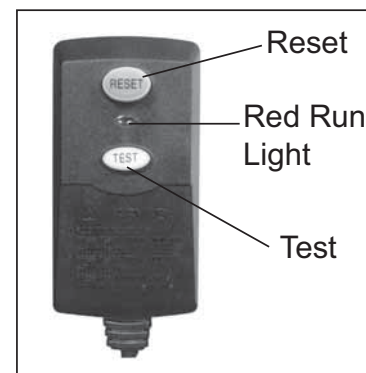


Figure-4

2. Check items below when the GFCI goes OFF frequently.
 - Force applied on the stone cutter.
 - Water entered inside the stone cutter.
 - Voltage drop due to sharing the same power source in work area.
 - Worn carbon brushes

BEFORE USE



Before using the machine, check the following items. In particular, check items 1 to 5 before plugging the power supply cord into the power outlet.

1. **Check the working voltage.**
 - Be sure the voltage specified on the nameplate is the voltage available at the power outlet. If the machine is used with higher voltage than specified, the motor will burnout. Any attempts to do so may damage the tool and/or cause an accident.
2. **Make sure the ON/OFF switch is off.**
 - If you plug in the power supply cord without realizing that the switch is ON, the machine will start and may cause an accident.
 - Make sure the switch is in the OFF position before plugging the cord in the power outlet.
3. **Inspect the protective cover.**
 - Do not remove the cover. It will protect you if the saw blade breaks.
 - Be sure to firmly attach the saw blade or any optional accessory.
4. **Inspect the saw blade.**
 - Check if you have a specified blade.
 - Never use cracked, chipped, or any damaged blades.
 - Follow the procedures specified in the instruction manual to properly attach applicable accessories.
5. **Check the power outlet.**
 - When the plug of the power supply cord is easily pulled out of the power outlet, the outlet should be replaced. For such tasks, consult an electrician. If the power outlet is used on a continuous basis, it may overheat and cause accidents.
6. **Perform test runs.**

⚠ WARNING!

1. Before turning the switch ON, make sure the rotating parts are not touching anything. If the switch is turned ON while they are in contact with anything else, the blade may get damaged and it may cause injuries.
2. When a new blade is attached and the switch is turned ON, keep your body well away from the exposed sides of the tool for a moment until the machine reaches its full speed.
3. It is very dangerous to perform cutting operations using cracked, chipped or damaged blades. Before starting cutting operations, keep the tool away from anyone nearby. Be sure to perform a few test runs to check whether there are any abnormalities.

► **ABOUT DOUBLE INSULATION**

This machine is designed with double insulation. Two insulations are used between the conductor and the outer body of the machine. An Electric Machine with the double insulation highly improves safety from electric shocks. Do not attach or replace unspecified parts and do not assemble incorrectly. This may cause the insulation to malfunction.

► **LAWS AND REGULATIONS OF NOISE LEVELS**

Please observe local laws and regulations regarding noise level in order to avoid disturbing surrounding areas. Install a soundproof wall if required to comply with the local laws and regulations.

► **INSTRUCTIONS FOR INSTALLING THE FELT STRIPS ON THE AWS-110/AWS-220 BASE PLATE:**

1. Wipe base plate with a clean rag to remove any dirt or residue.
2. Peel off film from the pressure sensitive adhesive on the enclosed felt strips.
3. Place strips on base plate parallel with the blade and press into place.

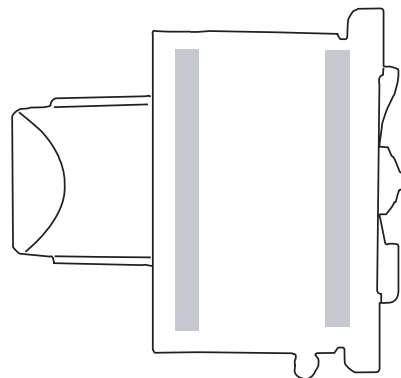


Figure-5

INSTALLATION OF WATER ATTACHMENT

1. Remove the wing screw and washer for adjusting the cutting depth.
(See Figure-6)
2. Raise cutting depth so there is room between the body and the base plate. (See Figure-6)

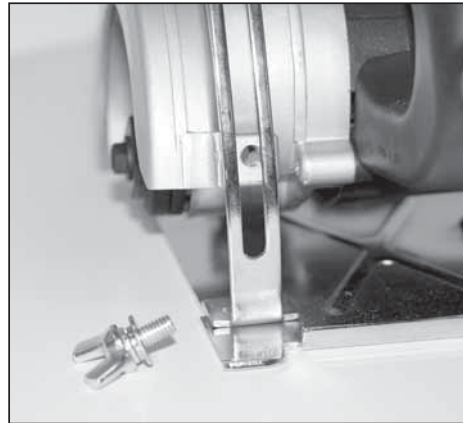


Figure-6

3. Insert the plastic nozzle on the water feed assembly behind the height adjustment slide. Make sure that the water valve bracket (Part No. 133094) is in front of the slide. If your blade is already installed, the plastic nozzles should be positioned so that each nozzle directs water spray onto each side of the blade. (See Figure-7 & Figure-8)



Figure-7

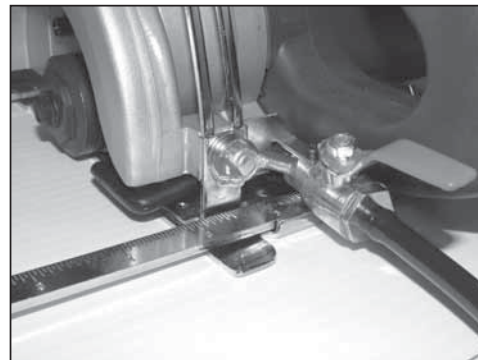


Figure-8

4. Align the water valve bracket with the wing nut hole and insert wing bolt. (See Figure-9)

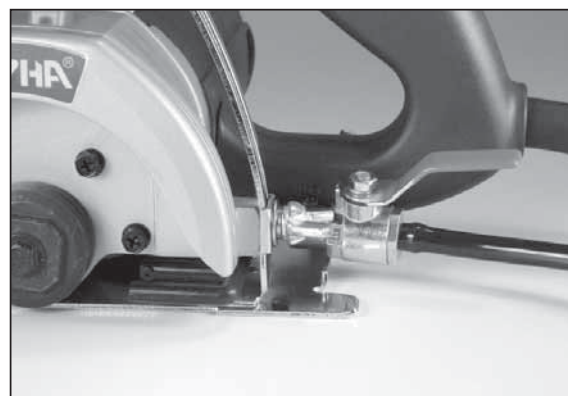


Figure-9

5. Adjust the height of the blade and securely tighten the wing screw.

► **WATER FLOW** ⚠

⚠ DANGER!

Always check that the GFCI unit is working correctly (reset, test, and reset) before using this tool in a wet condition. Do not use the tool if the GFCI is not working properly

Connect the nylon hose onto the water valve, then connect the adapter on the nylon hose to the water faucet.

Simply adjust the volume of the water flow by turning the handle on the water valve.

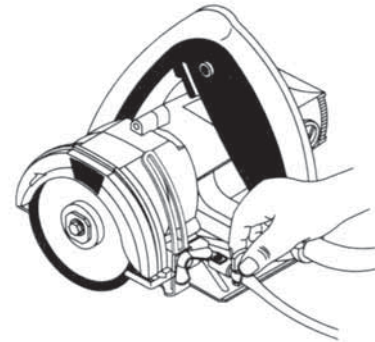


Figure-10

ADJUSTING CUTTING DEPTH

1. Loosen the wing screw on the depth indicator and move the base plate up or down to the desired cutting depth. Re-tighten the wing screw to a hand tight condition as shown in Figure 11 and Figure 12.

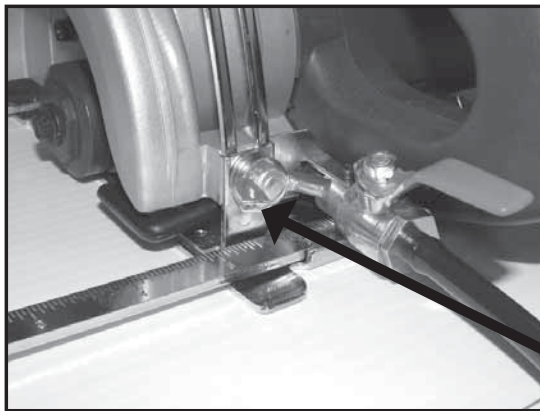


Figure-11

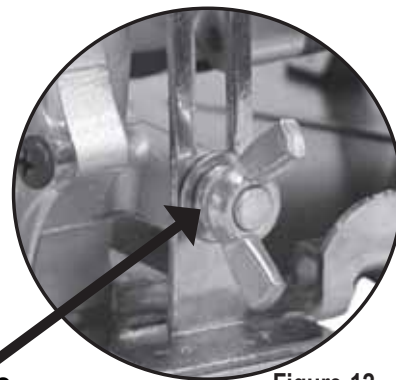


Figure-12

Wing Screw

⚠ CAUTION!

Allow the saw blade to do the work, applying excessive forward pressure to the tool will slow down the RPM's and burn up the motor, which voids the limited warranty of the tool.

This tools should only be used for cutting on a horizontal surface.

Be sure to follow daily maintenance before and after each use.

► **OPTION 1: FREE-HAND CUTTING**

1. If you are cutting stone or tile less than 20 mm (3/4") thick, the cut can be done in one pass (allow saw blade to do the work).
2. If you are cutting stone or tile more than 20mm thick you will need to make the cut in two passes. Adjust the height to 15-20mm for the first pass, then adjust the saw blade below the stone for the second pass (allow the saw blade to do the work).
3. Adjust the amount of water flow to cool the blade and remove the waste, excessive water flow will get inside the tool and trip the GFCI.
4. Set the base plate on the workpiece and align to the cutting mark on the base plate to cut line on stone.
5. Press the on/off switch to start the motor and allow the tool to attain full speed before starting to cut.
6. Advance the tool slowly allowing the blade to do the work, keeping the base plate flat on the stone and the cut mark in line with your cut line.
7. Slow the cutting speed for the last 1/2" to prevent the tile or stone from chipping.

► **OPTION 2: USING THE RULER GUIDE**

Install the ruler on the AWS-110 by inserting the arms into the appropriate slots on the base plate and tightening the screws to secure the ruler in place. When using the edge of the stone as your guide, install the ruler so that it is below the base plate (Figure-13). Measure the distance from the edge to the intended cut and use this measurement to set the ruler at the proper distance. When using a straight edge as a guide, install the ruler so that it is above the base plate (Figure-14). Measure the distance from the straight edge to the intended cut and use it to set the ruler at the proper distance. When cutting, simply keep the ruler in contact with the straight edge while maintaining even cutting pressure and your cuts will be straight.

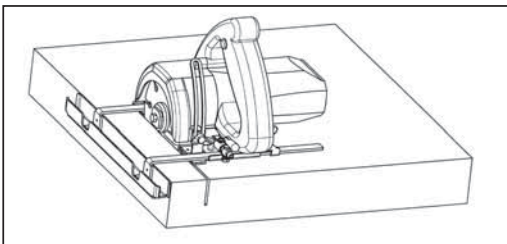


Figure-13

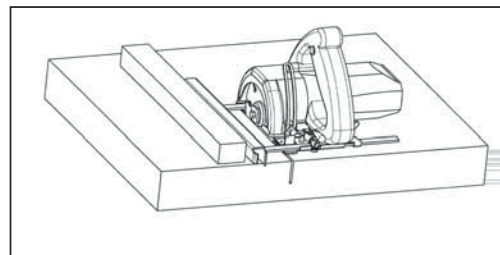


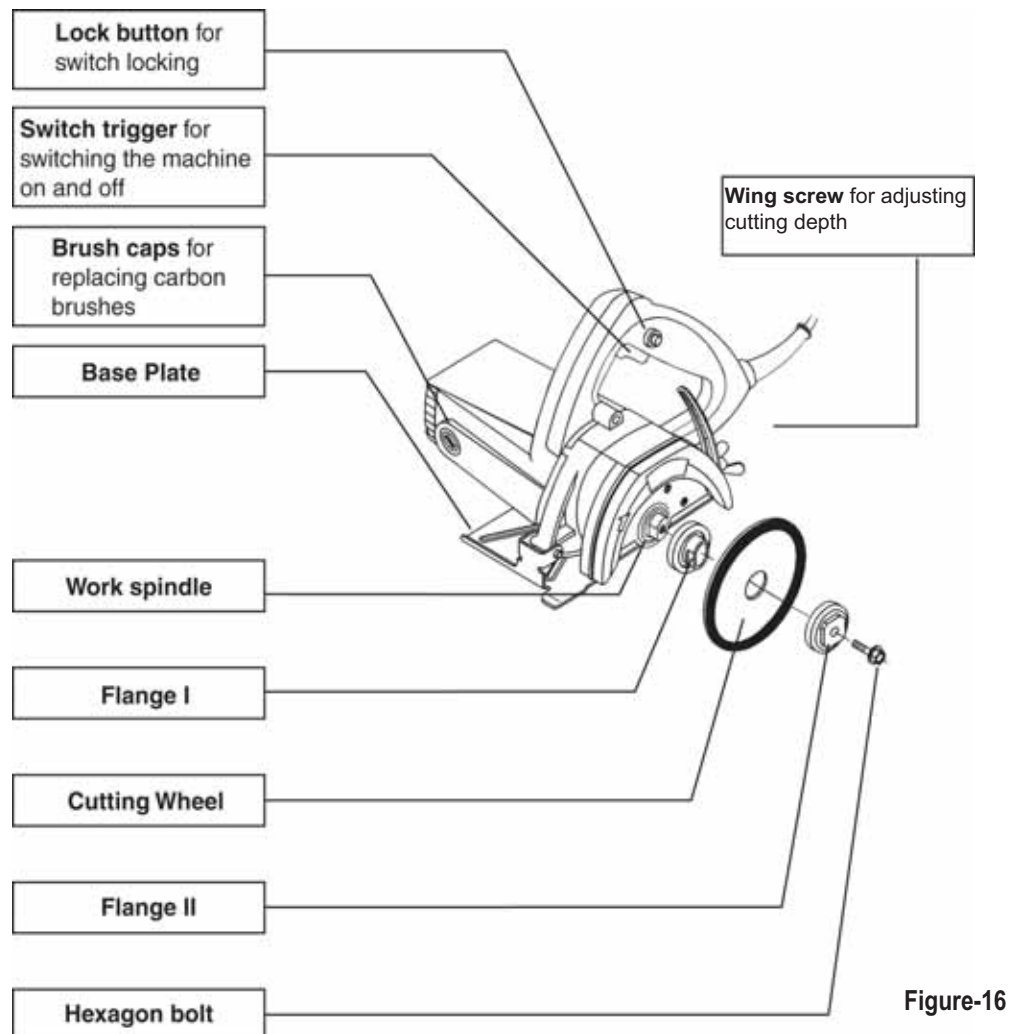
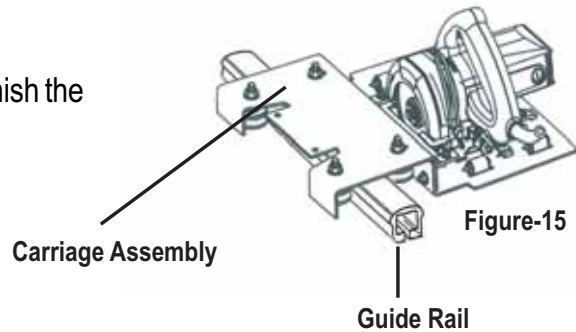
Figure-14

► **OPTION 3: USING THE CARRIAGE ASSEMBLY AND GUIDE RAIL**

Install the guide rail 2-3/4 inches / 70mm from the intended cut. Take care to ensure that the guide rail is properly clamped in place and double check your measurements. Attach the carriage assembly to the base plate by aligning the base plate properly and attach the pressing plates. Make sure that the pressing plates are securely fastened. The AWS should be immobile within the carriage assembly. Slide the carriage onto the guide rail and proceed to cut. Maintain even cutting pressure. Adjusting cutting depth should be:

Loosen the wing bolt on the depth indicator and move the base floor up and down to the desired cutting depth and tighten the wing nut to fix the base floor.

Remember to tighten the wing bolt after you finish the adjustment of the cutting depth each time.



BLADE INSPECTION, INSTALLATION, AND REMOVAL

DANGER!

Be sure to unplug the power cord from the outlet before attaching or removing the saw blade from the tool. Accidental starting of the motor may cause bodily injury.

WARNING!

Be sure to securely tighten the flange assembly and all loose screws before testing the unit. Please allow the saw blade to do the work. Applying excessive force may damage the saw blade and cause premature failure of the bearings and gears. Such action may decrease the rotation speed of the motor.

Only use saw blades with 20mm arbors and maximum speed rating equal to or higher than the name plate of RPM of tool.

1. To remove the flange bolt from the spindle hold Flange II in position with the 22 mm spanner wrench (133097), while turning the flange bolt with the T-handle wrench (133098) in a clockwise rotation until it is removed.
2. With the flange bolt removed, remove Flange II off of Flange I.
3. Install your 20mm arbor saw blade onto Flange I with the arrow on the blade pointing in the same direction as the arrow on the cover (blade will turn in a clockwise rotation). The cutting wheel should fit tightly on the Flange I.
4. Reinstall Flange II and then the flange bolt, turning counter-clockwise to install, once flange bolt is hand tight, use the 22mm spanner wrench to hold Flange II in place and finish tightening the flange bolt with the T-handle wrench.

AWS-110 MAINTENANCE

► DAILY

1. Before daily start-up inspect tool, power cord, GFCI, and Saw Blade, looking for chips and cracks.
2. If damage has occurred, repair affected areas before use.
3. Connect the tool to the correct power source and test the Ground Fault Circuit Interrupter (GFCI) before using the tool. Push the red RESET button and confirm that the red run light is on. Push the yellow TEST button and confirm that the red run light is off, push the red RESET button to use the tool.
4. After daily use of the tool, clean and blow off the exterior of tool and around air intake vents to remove any standing water or stone dust on the field coil, carbon brushes, and bearings. Failure to do this will shorten the life of your tool, and could void your warranty.

► PERIODIC

Preventive maintenance performed by unauthorized personnel may result in misplacing of internal wires and/or components which voids the warranty and could cause serious hazards. We recommend that tool service and repairs not covered in the manual be performed by an Alpha® Repair Center.

Periodic maintenance is done to check the tool and to minimize down time. These checks are done based on hours of operation and operating conditions. Operating condition can vary depending on the work surface and job being performed. If the tool is not used for a long period of time the carbon brushes should be checked and the commutator cleaned, before putting the tool back into operation.

► BEARINGS AND GEARS

To minimize your tool's downtime and expensive repairs, it is recommended to send the tool back to an Alpha® Repair Center after about 300 to 400 hours of operation, or every second carbon brush change. The bearings should be replaced and the gears should be checked. If your tool starts to sound different, this could be an indication of a worn bearing. Continuing to use the tool in this condition could result in overheating or motor failure.

REPLACING AND CHECKING THE CARBON BRUSHES

In order to keep your tool running correctly, you need to check your carbon brushes after every one hundred hours (100 hrs) of use. Carbon brushes wear out over time based on tool's usage. If a carbon brush is worn out, it may cause the motor to malfunction or fail to run. The carbon brushes should be replaced when they are worn down to a quarter of an inch (1/4") in size.

 **DANGER!**

Be sure to unplug the power cord from the outlet before assembling or disassembling the tool. Accidental starting of the motor may cause bodily injury.

► **CARBON BRUSH REPLACEMENT**

1. Locate the Carbon Brush Caps at the rear of the motor (one on each side) as shown in Figure 17.

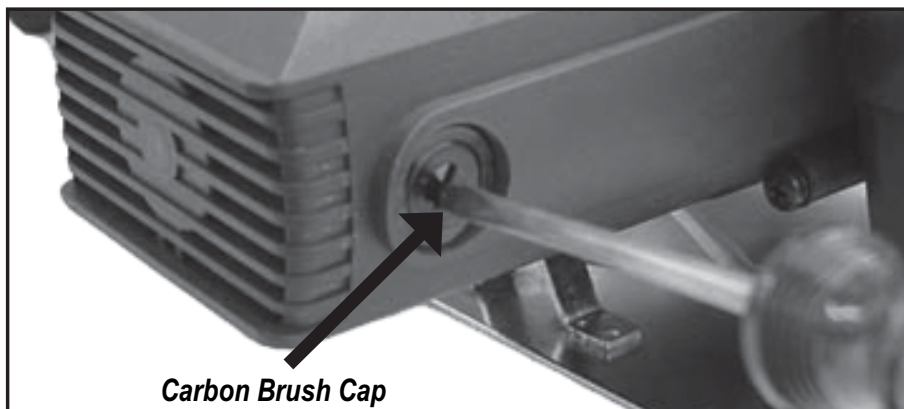


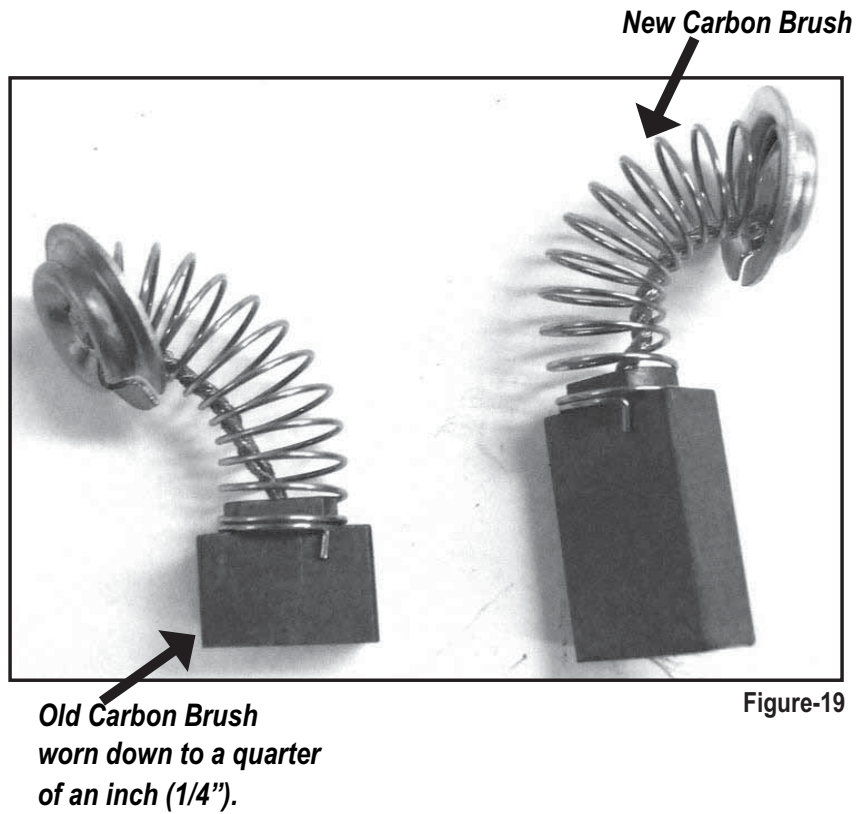
Figure-17

2. Unscrew cap completely until carbon brush assembly releases from brush holder as shown in Figure 18.

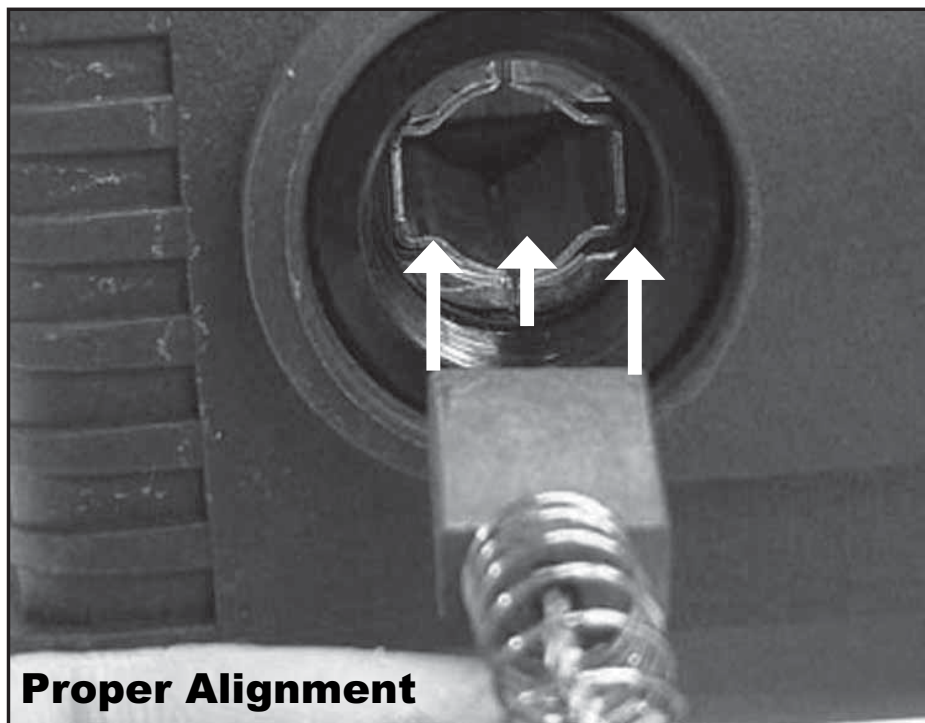


Figure-18

3. Check the carbon brush for wear. Replace if worn down to a 1/4" or if spring is damaged.



4. Install new carbon brush with the proper alignment of the brush holder followed by the cap as shown in Figure 20.



Note: If you notice any resistance while tightening the carbon brush cap, it is an indication that the top plate on the carbon brush assembly is sticking inside the brush cap. Continuing to tighten will damage the carbon brush spring. (Go to step 6 to correct this problem)

5. Tighten cap until secure as shown in Figure 21



Figure-21

6. Remove the cap and carbon brush from the tool, visually check the two parts for defects as shown in Figure 22.

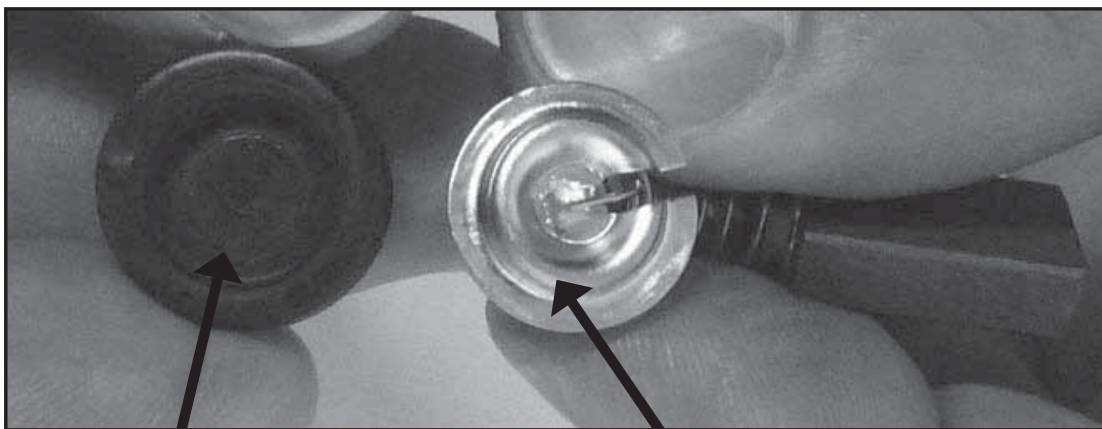


Figure-22

Carbon Brush Cap

Top Plate

7. Check to see if the two parts move freely by pushing the top plate of the carbon brush into the recess on the bottom of the carbon brush cap and rotate.

Carbon Brush and Cap

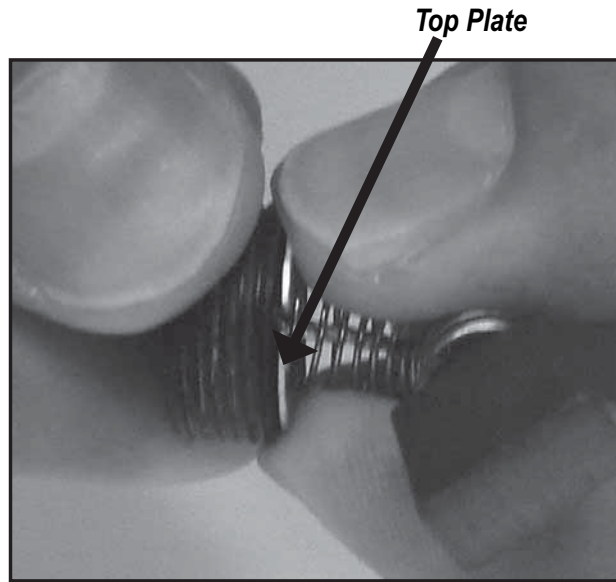


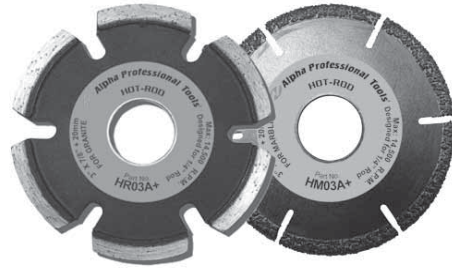
Figure-23

8. If the two parts stick together, replace the carbon brush cap and repeat step 7.
9. If the top plate of the carbon brush sticks in the new cap, you need to replace the carbon brush and repeat step 7.
10. Keep trying until carbon brush top plate can move freely inside of the recess on the bottom of carbon brush cap.
11. When the correct match is found, install in the tool.

RECOMMENDED ACCESSORIES

Alpha® Hot Rod

This is **the** blade for cutting reinforced rod channels into granite or marble countertops. No longer is there a need to employ labor-intensive procedures for accomplishing this task. The 3" Hot-Rod cuts a ¼" groove in one easy pass. May be used wet or dry.



Alpha® Numero Uno

Our premium wet saw blade: It is designed for cutting natural and engineered stone slabs and tile. The advanced style rim will cut most difficult natural and engineered stone tiles quickly and efficiently while reducing the risk of chipping and breaking. Alpha Numero Uno is the number one choice.



Alpha® Vetro

Designed specifically for wet cutting sheet glass and glass tile; the Alpha Vetro allows for quick cutting while leaving an edge ready for polishing. Recommended for use on thick glass, also works well on thinner glass for cutting inside corners. The Vetro will provide truer cuts and reduce waste. Also performs well on Laminated Safety Glass.



Alpha® Porcellana

The Alpha Porcellana provides fast and consistent performance with minimal chipping when cutting porcelain tile or slab. Designed for continuous cutting; no dressing necessary. Alpha Porcellana is the best choice for cutting porcelain. Also works well on glass and natural or engineered stone.

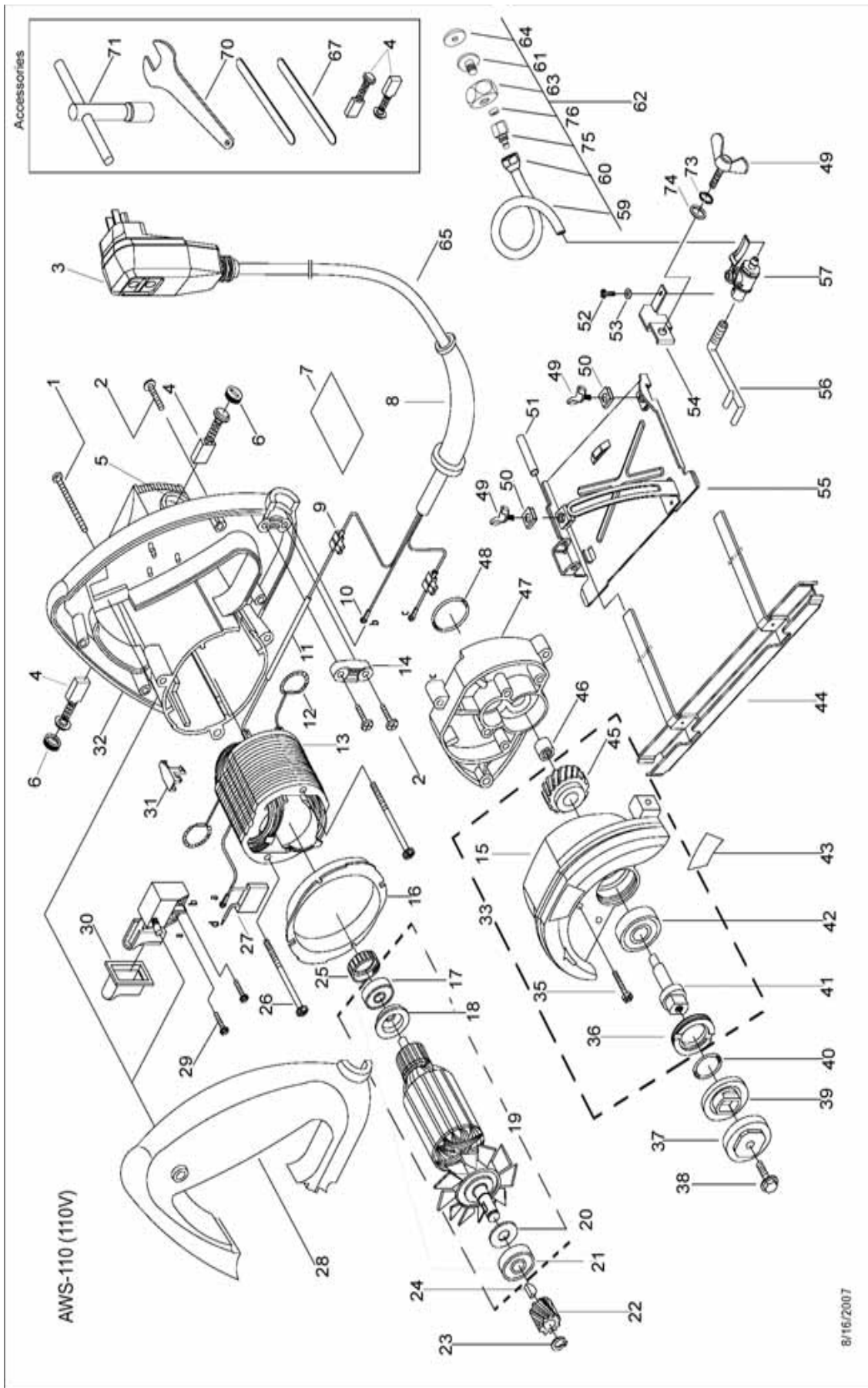


Alpha® Marble Profile Wheel

This is a truly unique and convenient blade for cutting and profiling 3/8" marble tile in one single pass. Fits our AWS-110 wet stone cutter, providing a portable solution to cutting and profiling marble tile on the job site. The electroplated diamond matrix is well suited for wet cutting marble and agglomerated marble tiles.



ALPHA® AWS-110 WET STONE CUTTER SCHEMATIC



ALPHA® AWS-110 WET STONE CUTTER PARTS LIST

DRAWING NO.	PART NO.	DESCRIPTION	QUANTITY
1	133080	Screw M5x40	3
2	130031	Self-tapping Screw 3.9×19	7
3	133289/133292	GFCI 110V/220V	1
4	133033	Carbon Brush (2 pc set)	4
5	133031	Brush Holder	2
6	133032	Brush Cap	2
7	133241/133240	Rated Plate 110V/220V	1
8	133047	Cable Sleeve	1
9	130618	Block Terminal	2
10	133040	Wire Terminal	2
11	133042	Insulation Pipe	2
12	133034	Brush Terminal Assembly	2
13	133436/133004	Field Coil 110V/220V	1
14	133086	Cable Clamp	1
15	133055	Cover	1
16	133030	Air Bridge	1
17	133025	Bearing 608-2RZ	1
18	133024	Insulation Disc	1
19	133439/133012	Armature 110V/220V	1
20	133026	Bearing Cover	1
21	133027	Bearing 629-2RZ	1
22	133048	Gear (Small)	1
23	133051	Snap Ring M8	1
24	133050	Woodruff Key	1
25	133028	Bearing Sleeve	1
26	133029	Self-tapping Screw 4.8×65	2
27	133392	Condenser Assembly	1
28	133254	Handle (for AWS-110)	1
29	133043	Switch (with Screw)	1
30	133044	Rubber Switch Cover	1
31	133041	Cable Clip	2
32	133003	Rear Motor Housing (Blue)	1
33	133054	Spindle Assembly for AWS-110	1
35	133079	Screw M4×25	4
36	133060	Screw Cap	1

ALPHA® AWS-110 WET STONE CUTTER PARTS LIST

DRAWING NO.	PART NO.	DESCRIPTION	PIECES
37	133082	Flange II (for AWS-110)	1
38	133464	Screw M6×20-Left	1
39	133081	Flange I (for AWS-110)	1
40	133062	O Ring 18×2.5	1
41	133057	Spindle (for AWS-110)	1
42	133053	Ball Bearing 6201-2RS	1
43	133242	Brand Poster	1
44	133266	TT Ruler Guide (for AWS-110)	1
45	133058	Gear (Big)	1
46	133066	Bearing BK 0810	1
47	133255	Gear Box	1
48	133067	O Ring 25.5×2	1
49	133084	Wing Screw	1
50	133269	Washer For Ruler	1
51	133085	Pin 6×28	3
52	133107	Screw M3×5	1
53	133108	Lock Washer M3	1
54	133094	Water Valve Bracket (for AWS-110/125)	1
55	133271	Base Plate Assembly	2
56	133093	Nozzle (for AWS-110)	1
57	133362	Water Valve (for AWS-110/125)	1
59	133229	Water Hose 8mm OD×10ft (3m)	1
60	133231	Compression Nut	1
61	133230	Sleeving Connector	1
62	133287	Water Attachment Assembly	1
63	133232	Water Hose Adapter	1
64	133233	Hose Washer (Rubber)	1
65	133291/133237	Cable 110V/220V	1
67	133369	Felt Strip Set	1
70	133097	Spanner Wrench M-22	1
71	133098	T-Handle Wrench	1
73	133071	Flat Washer M6	1
74	133072	Spring Washer M6	1
75	133234	Adapter Fitting	1
76	133236	Compression Washer	1
(not shown)	133441	BMC (Blow Mold Case) for AWS-110/125	1

CARRIAGE ASSEMBLY PARTS LIST

DRAWING NO.	PART NO.	DESCRIPTION	QUANTITY
1	133285	Screw cap M8	4
2	133252	Washer 9×16×1.6	4
3	133383	Guide Rail Carriage	1
4	133072	Spring Lock Washer M6	5
5	803138	Screw cap M6	4
6	133071	Washer 6	9
7	133251	Screw M6×12	5
8	133248	Pressing plate	5
9	133560	Screw M6×16	4
10	130798	E rings 5	8
11	133246	Caster	4
12	133245	Caster axle	4
13	133384	Stone Cutter Base	1
14	133238	Rail wheel axle	4
15	133239	Rail wheel	4
16	133051	Circlips for shaft	4

EC DECLARATION OF CONFORMITY

Name of Manufacturer: Alpha Professional Tools®

Address of Manufacturer: 103 Bauer Drive
Oakland, NJ 07436
USA

Herewith declares that:

ELECTRIC HAND TOOL: "Electric Stone Cutter"

Make: Alpha Professional Tools®
Type: AWS-110/AWS-220

-Does comply with the provisions of the Low Voltage Directive 73/23EEC amended by 93/68 EEC and Machinery Directive 98/37/EC.

And furthermore declares that:

-The following (parts/clauses of) harmonized standards have been applied:
EN55014-1/ + A1: 2001, EN55014-2/ + A1: 2001, EN61000-3-2:2000, EN61000-3-3/+A1:2001.

Year of affix CE Marking: 2003

Oakland, New Jersey USA

Jan / 20 .2004



Nao Takahashi
(President)

SERVICES AND WARRANTY INFORMATION

► **LOANER PROGRAM:**

Loaner tools can be issued to temporarily replace a tool that is being returned to Alpha® for repair. If more than one tool is being returned for repair, the number of loaner tools provided will be based on availability.

If a loaner tool is required, contact the Tool Department at Alpha® at (800) 648-7229 to receive a Loaner Tool Application. A valid credit card number must be provided as a security deposit. The credit card will only be charged if the loaner tool is not returned to Alpha® within 30 days. An authorized signature is required for the credit card being used. A second signature is required as an agreement of the overall policy.

Note: This program is not available outside the continental United States.

► **NEED MORE INFORMATION**

For information on Alpha Professional Tools® complete product line, visit us on the web at www.alpha-tools.com

► **WARRANTY**

Limited Warranty of Alpha® Wet Stone Cutter for the USA and Canada Only!

Alpha Professional Tools® warrants this product against defects in material and workmanship for a period of 180 days from the date of original retail purchase (proof of purchase required). If Alpha Professional Tools® receives notice of such defects during the warranty period, our obligation assumed under this warranty is limited to the repair or replacement of parts, without charge. This warranty does not apply to tool accessories.

For Warranty Claims: Send complete tool with all your information and details of the problem to the address printed on the cover of this manual, transportation prepaid. Do not send tool accessories.

PRODUCT REGISTRATION CARD

Model No.

Serial No.

Company Name: _____

Name: _____

Address: _____

City: _____ State: _____ Zip: _____

Telephone: _____

Purchase Date: _____

Dealer's Name: _____

Note: Serial & Model Number must be included for proper registration.



Alpha Professional Tools[®]

(800) 648-7229



Register online at:
www.alpha-tools.com/productregistration.aspx

Mail or Fax to:
Alpha Professional Tools[®]
103 Bauer Drive, Oakland, NJ 07436
Fax: 800-286-0114



103 Bauer Drive, Oakland, NJ 07436 • Fax: 800-286-0114
www.alpha-tools.com

Copyright © 2008 Alpha Professional Tools. All rights reserved.

9/8/08