

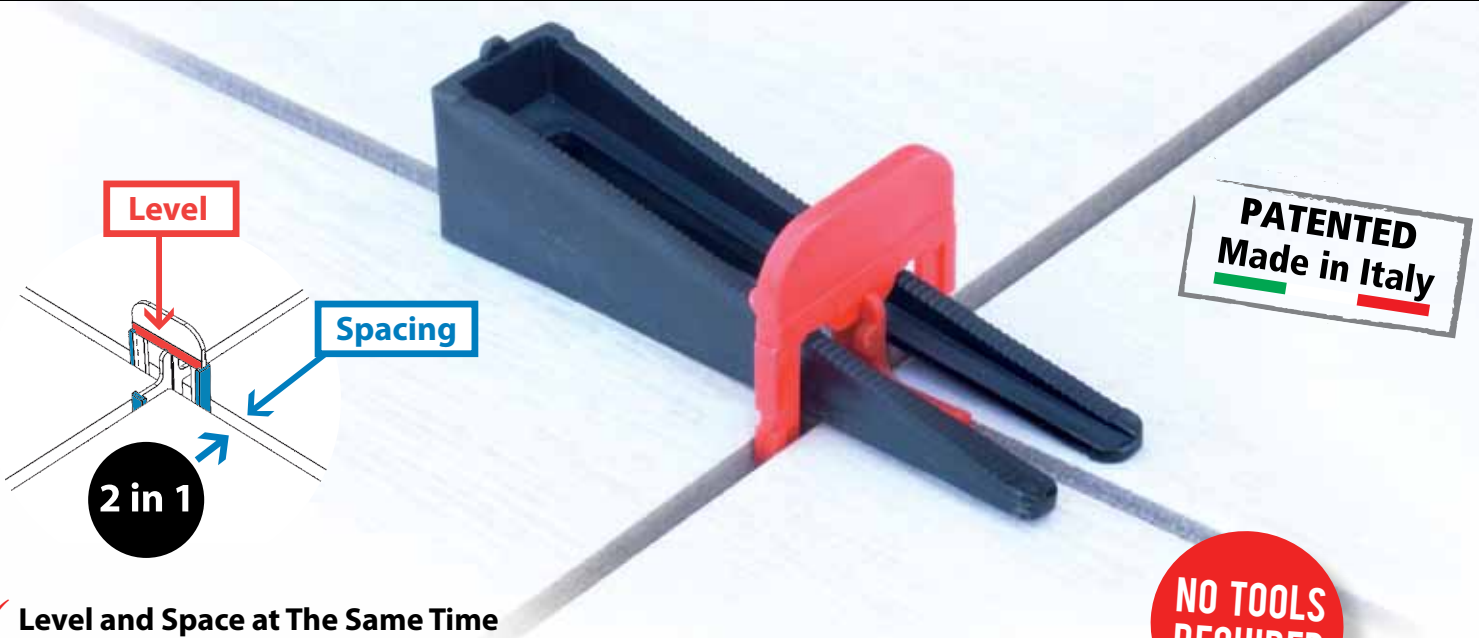
**NEW**

**ALPHA®**

# EZ WEDGE

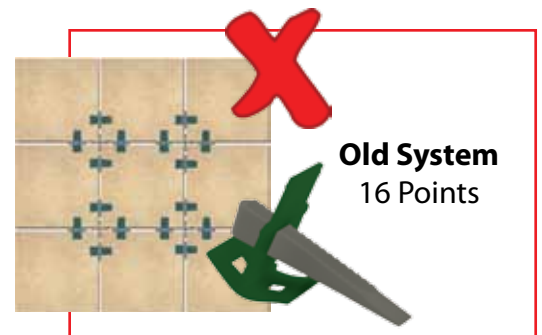
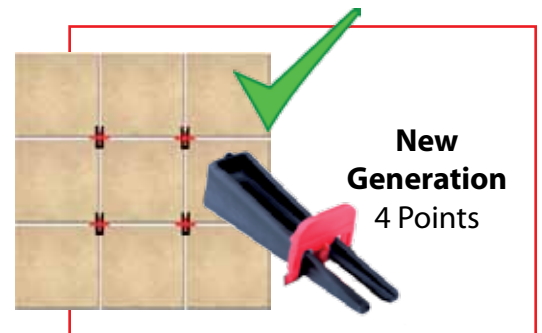


Leveling System Designed for Edges and Corners



- ✓ Level and Space at The Same Time
- ✓ Install Along Tile Edges
- ✓ Add Angle Tabs for Corner Installs
- ✓ Saves Time & Money (Up to 75%)
- ✓ Available in 3 Sizes: 1/16" (1.5mm), 1/8" (3mm) & 3/16" (5mm)
- ✓ Dual Function - No Spacers Required
- ✓ Compatible With Other Competitor's Clips

**NO TOOLS  
REQUIRED**



\* *Optional Plier Available for Calibrated installations*

PART NO.	SIZE	TYPE	COLOR	QTY
EZWEDGELV		Wedge		130
EZWCT15WH	1/16" (1.5mm)	Joint Clip & Angle Tab	White	200ea
EZWCT30RD	1/8" (3.0mm)	Joint Clip & Angle Tab	Red	200ea
EZWCT50BK	13/64" (5.0mm)	Joint Clip & Angle Tab	Black	200ea
EZPLIER		Plier		1

**Alpha Professional Tools®**

103 Bauer Drive, Oakland, NJ 07436 • 800-648-7229 • Fax: 800-286-0114  
www.alpha-tools.com



Copyright © 2018 Alpha Professional Tools. All rights reserved.

FL2246-10/18

# EZ WEDGE SYSTEM

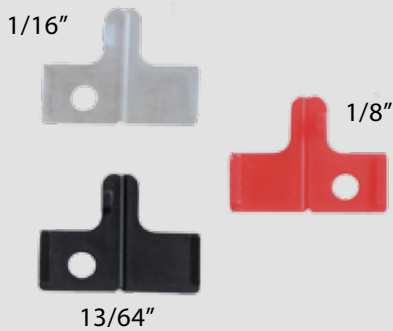


## Universal Wedge

Can be used by hand or with pliers. It is designed to be recovered, so it can be saved and reused over and over.



Leveling base with incorporated spacer.



The Angle Tab gets inserted onto the base for placement on the corner of the tile.

Assembled Clip & Tab



# HOW TO USE

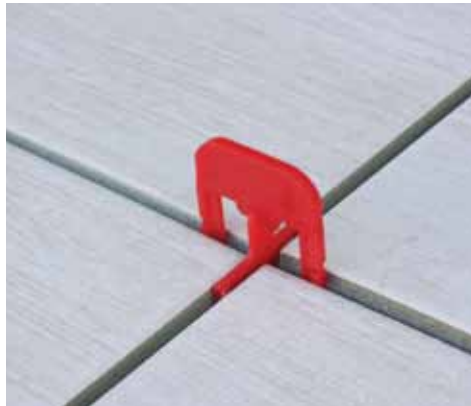
1- Select and prepare the clips



2- Slip them under tile corners



3- Push the wedge all the way in



4- Later, break or kick the top off



## EZPLIER\*



### Universal Plier for Wedge Leveling Systems

- ✓ Completely Adjustable for Precision Leveling Regardless of Tile Thickness
- ✓ Speeds Up Installations Saving Time and Money
- ✓ Comfortable, Ergonomic Design Allows For Extended Projects
- ✓ Accommodates Most Third-Party Tile Leveling Wedge Systems
- ✓ Made of 100% Galvanized Steel Structure for Heavy-Duty Use

\*optional