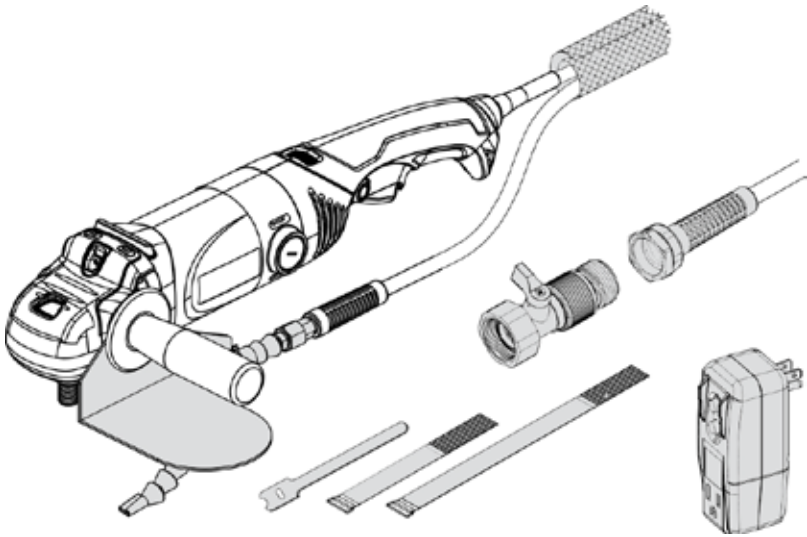


# Alpha<sup>®</sup> Wet Sanding and Polishing Kit Instruction Manual



*\*Tool sold separately*

**Part No: WSPKIT**  
**Version 12/2020**

---

## ►TABLE OF CONTENTS

Alpha® Wet Sanding & Polishing Kit Overview .....	3
Attaching The WSPKIT To The Variable-Speed Grinder / Sander / Polisher .....	4
Attaching The Water Hose Assembly .....	4
Installation Of Easy On-Easy Off Sleeve .....	5
Using The Hook & Loop Straps .....	5
Installation Of The GFCI .....	6
Testing In-Line GFCI Unit .....	6
Connecting The Water Supply .....	7
Alpha® WSPKIT Schematic & Part List .....	8

### **SERVICE**

Use only Alpha Professional Tools® accessories and spare parts. Should components which have been described need to be exchanged, please contact your dealer or Alpha Professional Tools®.

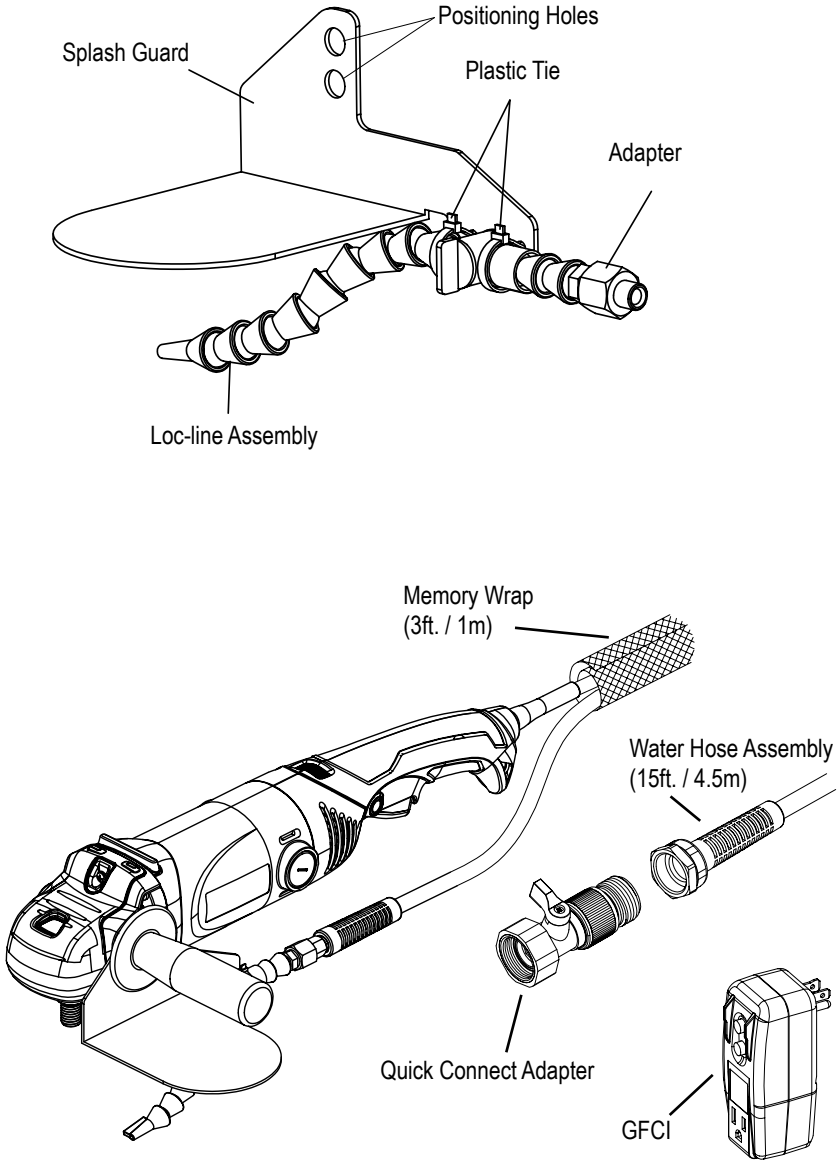
### **⚠ CAUTION**

- Attach the Wet Sanding & Polishing Kit correctly by following the procedure in this instructional manual.
- During operation, be sure to wear personal safety equipment.

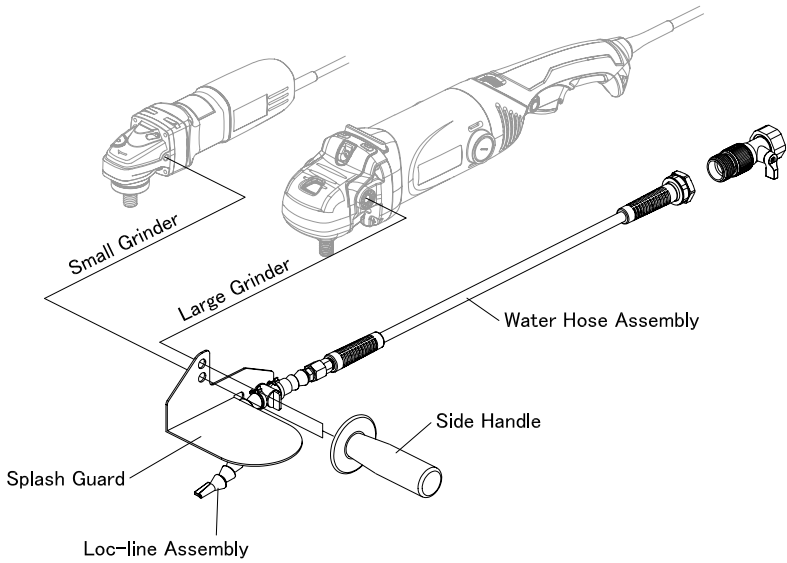
### **NEED MORE INFORMATION**

For information on Alpha Professional Tools® complete product line, visit us on the web at [www.alpha-tools.com](http://www.alpha-tools.com).

► ALPHA® WET SANDING & POLISHING KIT OVERVIEW

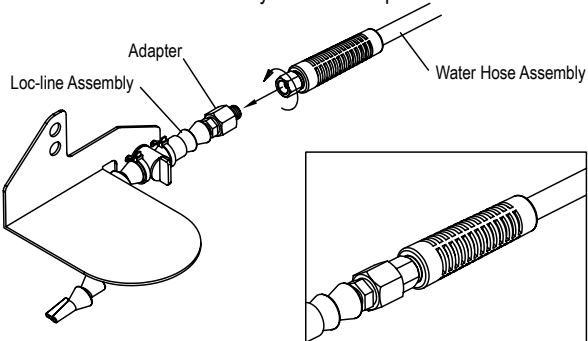


**► ATTACHING THE WSPKIT TO THE VARIABLE-SPEED GRINDER / SANDER / POLISHER**



**► ATTACHING THE WATER HOSE ASSEMBLY**

1. Attach and tighten the Water Hose Assembly onto the Adapter.



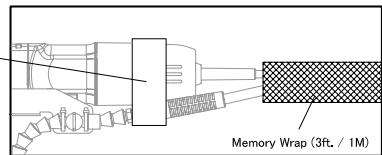
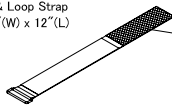
## ► INSTALLATION OF EASYON-EASYOFF SLEEVE

1. Wrap the EasyOn-EasyOff Sleeve around the Water Hose Assembly and electrical cord.
2. Finish the wrapping procedure until the entire EasyOn-EasyOff Sleeve is secured.



## ► USING THE HOOK & LOOP STRAPS

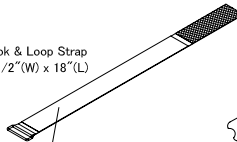
Hook & Loop Strap  
1-1/2"(W) x 12"(L)



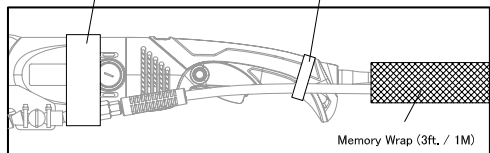
**NOTE:** Use the Hook & Loop Straps as necessary to attach the hose assembly to the Variable-Speed Grinder/Sander/Polisher.

**NOTE:** Position the straps away from the vent ports of the Variable-Speed Grinder/Sander/Polisher.

Hook & Loop Strap  
1-1/2"(W) x 18"(L)

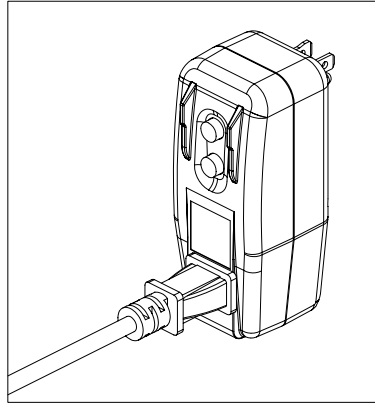
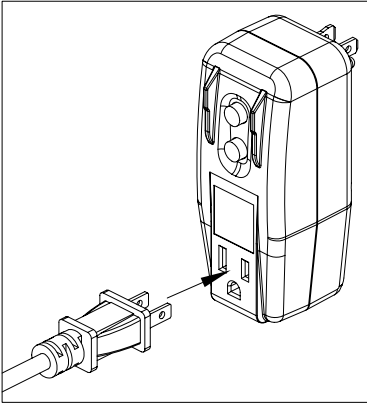


Hook & Loop Strap  
1/2"(W) x 12"(L)



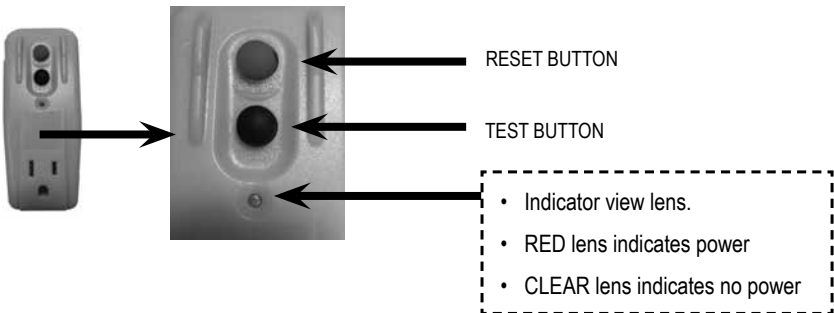
## ► INSTALLATION OF THE GFCI

1. Install the GFCI to the power tools power cord as shown. Connect to Power and check the GFCI for proper function.



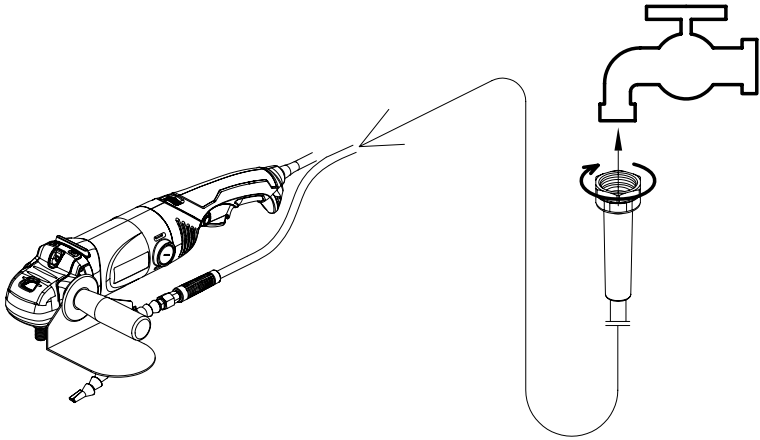
## TESTING IN-LINE GFCI UNIT

1. Connect GFCI to a single-phase AC power supply
2. Verify that the indicator lens shows red (indicating output voltage).
3. Press the test button to verify that the red in the indicator lens disappears.
4. Press the reset button to verify the red indicator is visible.
5. The GFCI is now ready to use.

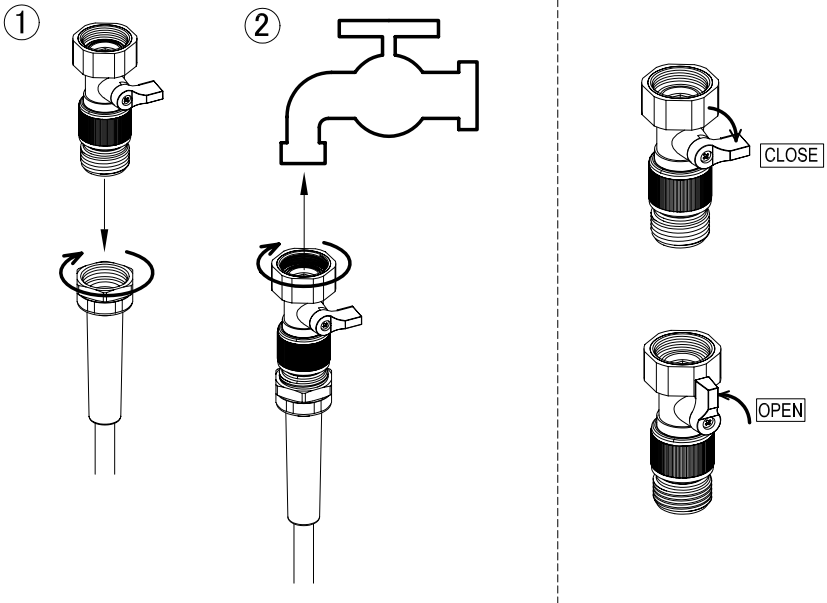


## ► CONNECTING THE WATER SUPPLY

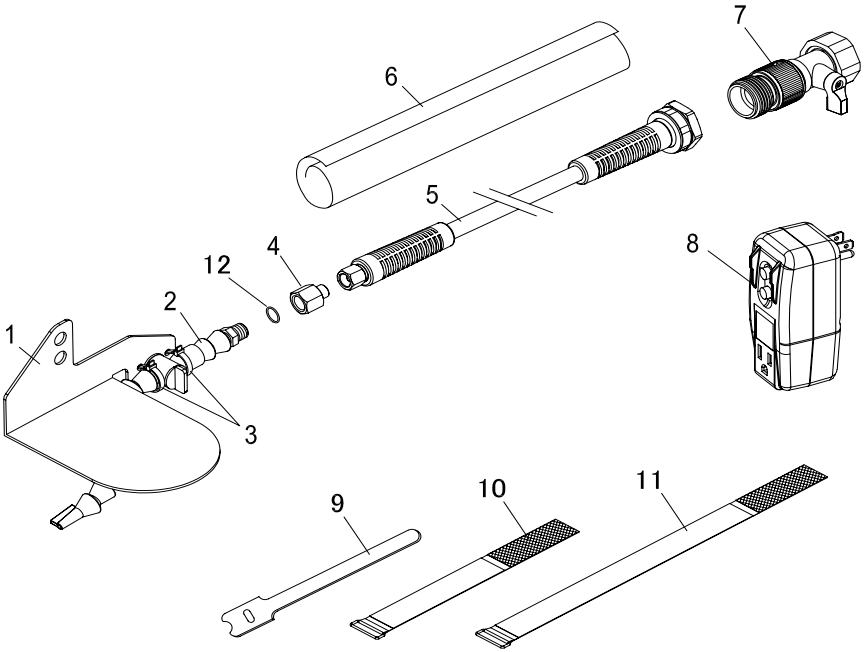
Connect to Water Supply - 1



Connect to Water Supply - 2



## ► ALPHA® WSPKIT SCHEMATIC & PARTS LIST



ITEM NO.	PART NO.	DESCRIPTION	QUANTITY
1	133791	Splash Guard	1
2	140004	Loc-Line Assembly	1
3	PDH-CABLETIES	Plastic Tie	2
4	133780	Adapter (1/4 NPT>>>M10*P1.0)	1
5	210129	Water Hose Assembly (15ft./4.5m)	1
6	210124	Memory Wrap (3ft./1m)	1
7	658-113	Water Quick Coupler w/Shut-off Valve	1
8	GFCI-1	GFCI Plug (120V)	1
9	133551	Hook & Loop Strap (1/2"x12")	1
10	140003	Hook & Loop Strap (1-1/2"x 12")	1
11	140008	Hook & Loop Strap (1-1/2"x18")	1
12	133805	O-Ring	1

**Alpha Professional Tools®**

103 Bauer Drive, Oakland, NJ 07436 • 800-648-7229 • Fax: 800-286-0114  
www.alpha-tools.com

Copyright © 2020 Alpha Professional Tools. All rights reserved.