

Alpha[®] Pneumatic Air Polisher

Parts List and Schematic



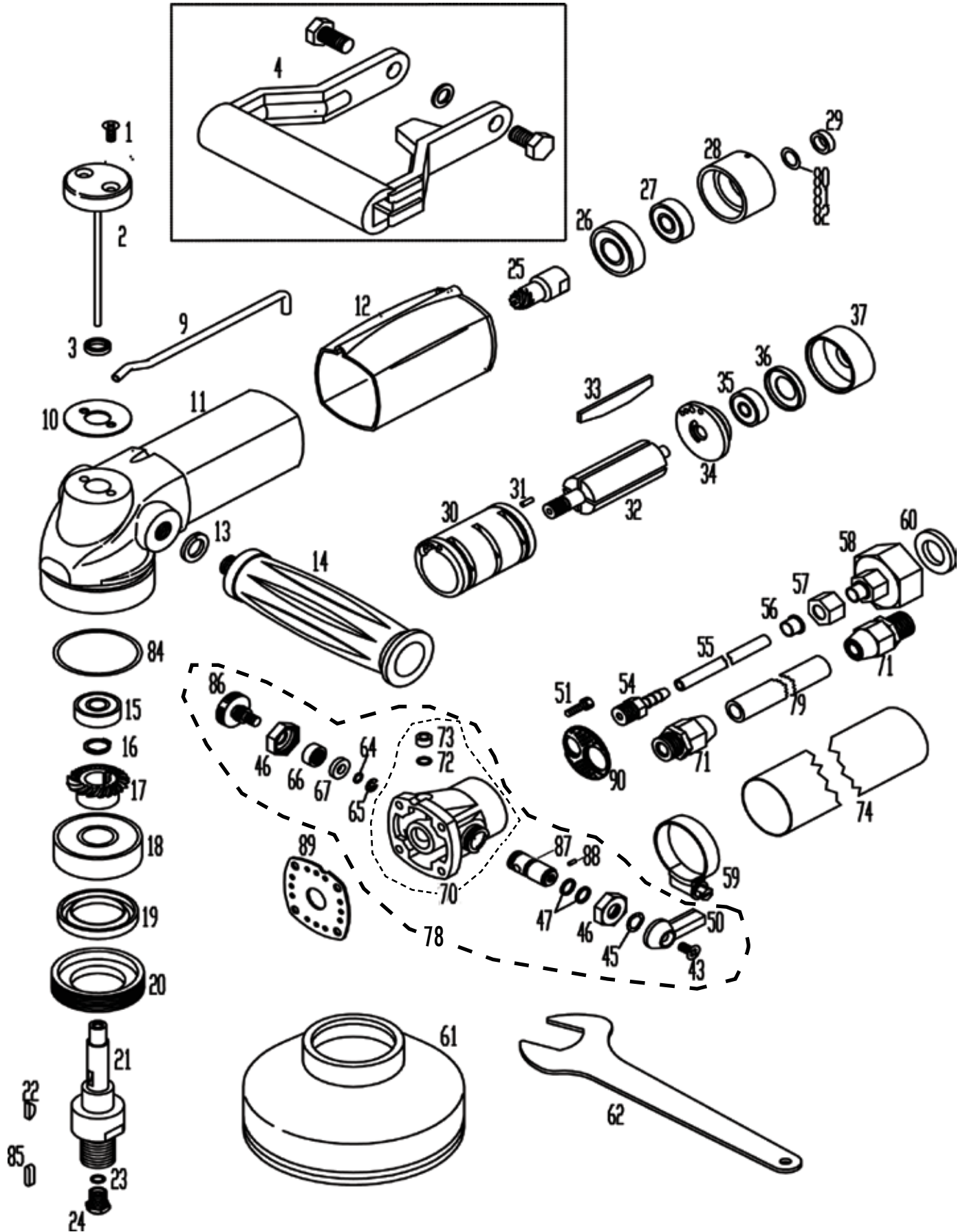
Part No: AIR-658
VERSION 6

 **Alpha Professional Tools**[®]

103 Bauer Drive, Oakland, NJ 07436 • 800-648-7229 • Fax: 800-286-0114
www.alpha-tools.com

► ALPHA® PNEUMATIC AIR POLISER SCHEMATIC (AIR-658 VERSION 6)

This Schematic is valid for Air Tools purchased after May 2009.



► ALPHA® PNEUMATIC AIR POLISHER PARTS LIST (VERSION 6)

DRAWING NO.	PART NO.	ITEM DESCRIPTION
1	658-01	<i>Screw M4x14</i>
2	658-02	<i>Pipe-Joint Assembly</i>
3	516-44	<i>Oil Seal</i>
4	AWP-21A	<i>Handle (C-Shaped)</i>
9	658-09	<i>W-Pipe</i>
10	658-10	<i>Head Packing</i>
11	658-11	<i>Body</i>
12	658-12	<i>Body Cover</i>
13	658-13	<i>Spring Washer M10</i>
14	658-14	<i>Side Handle</i>
15	516-20	<i>Bearing 608 ZZ</i>
16	658-16	<i>Snap Ring</i>
17	658-17	<i>Spiral Bevel Gear</i>
18	516-48	<i>Bearing 6302 ZZ</i>
20	658-50	<i>Valve Lever</i>
21	658-21	<i>Spindle 5/8" -11 Thread</i>
22	658-22	<i>Woodruff Key</i>
23	658-23	<i>O-Ring (1.7mm X 2.75mm)</i>
24	658-24	<i>Spray Nozzle</i>
25	658-25	<i>Spiral Bevel Pinion</i>
26	516-18	<i>Bearing 6001 ZZ</i>
28	658-28	<i>F-Bearing Case</i>
29	658-29	<i>Rotor Spacer</i>
30	658-30	<i>Cylinder (Inc. Part # 658-31)</i>
31	658-31	<i>Spring Pin</i>
32	658-32	<i>Rotor</i>
33	516-25	<i>Vane (4 Pc Set)</i>
34	516-26	<i>R-Bearing Case</i>
35	516-27	<i>Bearing 626 ZZ</i>
36	516-28	<i>Bearing Cap</i>
37	658-37	<i>Air Inlet Case</i>
43	658-43	<i>Screw M4x12</i>
45	658-45	<i>Wave Washer</i>
46	658-46	<i>Nut M-14</i>
47	658-47	<i>O-RING (1.7mm X 6.75mm)</i>
50	658-50	<i>Valve Lever</i>
51	658-51	<i>Screw M4x15</i>
52	133236	<i>Compression Washer</i>
53	133230	<i>Sleeving Connector</i>
54	658-54	<i>Nipple</i>
55	133229	<i>Water Hose 8mm OD x 10ft (3m)</i>
56	133231	<i>Compression Nut</i>

► ALPHA® PNEUMATIC AIR POLISHER PARTS LIST (VERSION 6)

DRAWING NO.	PART NO.	ITEM DESCRIPTION
57	133234	Adapter Fitting
58	133232	Water Hose Adapter
59	658-59	Clamp
60	133233	Hose Washer (Rubber)
61	AWP-01	Rubber Splash Guard
62	658-62	Wrench 22mm
64	658-64	O-Ring (1.0mm X 3.0mm)
65	658-65	Retaining Ring E-Style
66	658-66	Nut M8
67	658-67	Washer 05
70	658-70	Endcase w/Bushing (Inc. Part# 658-72 & 658-73)
71	516-79-2	Air Hose Joint 1/4" BSPP
72	658-72	O-Ring (1.9mm X 3.8mm)
73	658-73	Bushing 07
74	658-74	Exhaust Hose
78	658-78	Complete Endcase Assembly
79	516-79-1	Air Hose 10mm OD X 3M
80	658-80	Shim 01mm X 12mm OD
81	658-81	Shim 03mm X 12mm OD
82	658-82	Shim 05mm X 12mm OD
84	658-84	Shim 01mm X 84mm OD
85	658-85	Oval Key 10mm
86	658-86	Water Valve
87	658-87	A-Valve
88	658-88	Needle Pin
89	658-89	Body Gasket (Requires Part # 658-90)
90	658-90	Silencer (Requires Part # 658-89)
91	133287	Water Attachment Assembly 10'
998	AIR-008	Rust Inhibitor Oil 8oz.(237ml)
999	ST055	M44 Nut Wrench

*(Optional / Sold Separately). All prices are subject to change without notice.

► ALPHA® PNEUMATIC AIR POLISHER PARTS LIST (VERSION 6)

The following tool parts below are discontinued, please refer to the corresponding Part Nos. above for reference.

DRAWING NO.	PART NO.	DESCRIPTION
38	658-38	Body Packing (See Part No. 89)
52	658-52	Silencer (See Part No. 90)
53	658-53	Liner (See Part No. 90)
63	658-63	Needle Valve (See Part No. 86)
68	658-68	A-valve (Inc. Part# 658-69) (See Part No. 87)
69	658-69	Needle Pin (See Part No. 88)