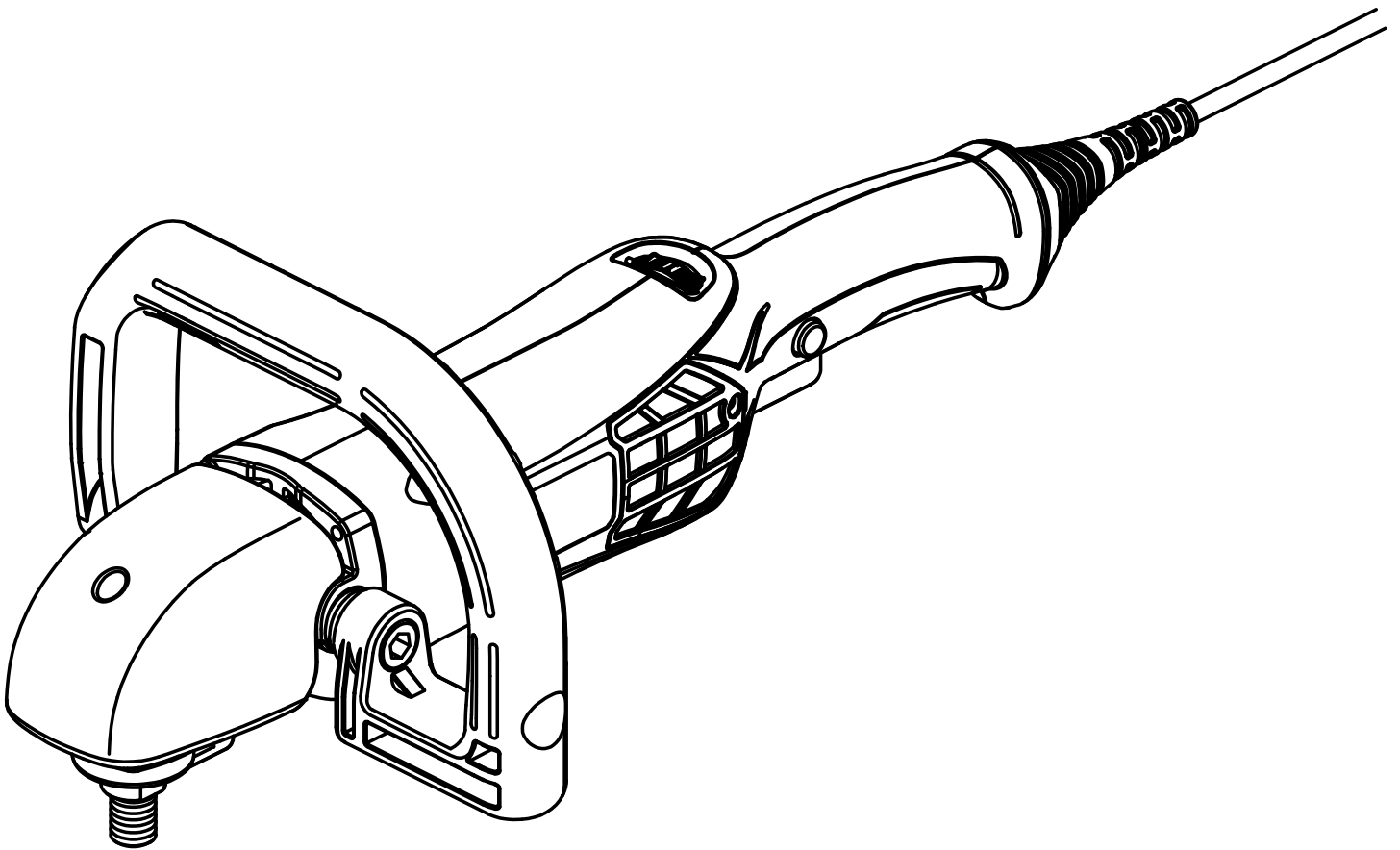

Alpha[®] Brushless Variable Speed Rotary Polisher Parts List

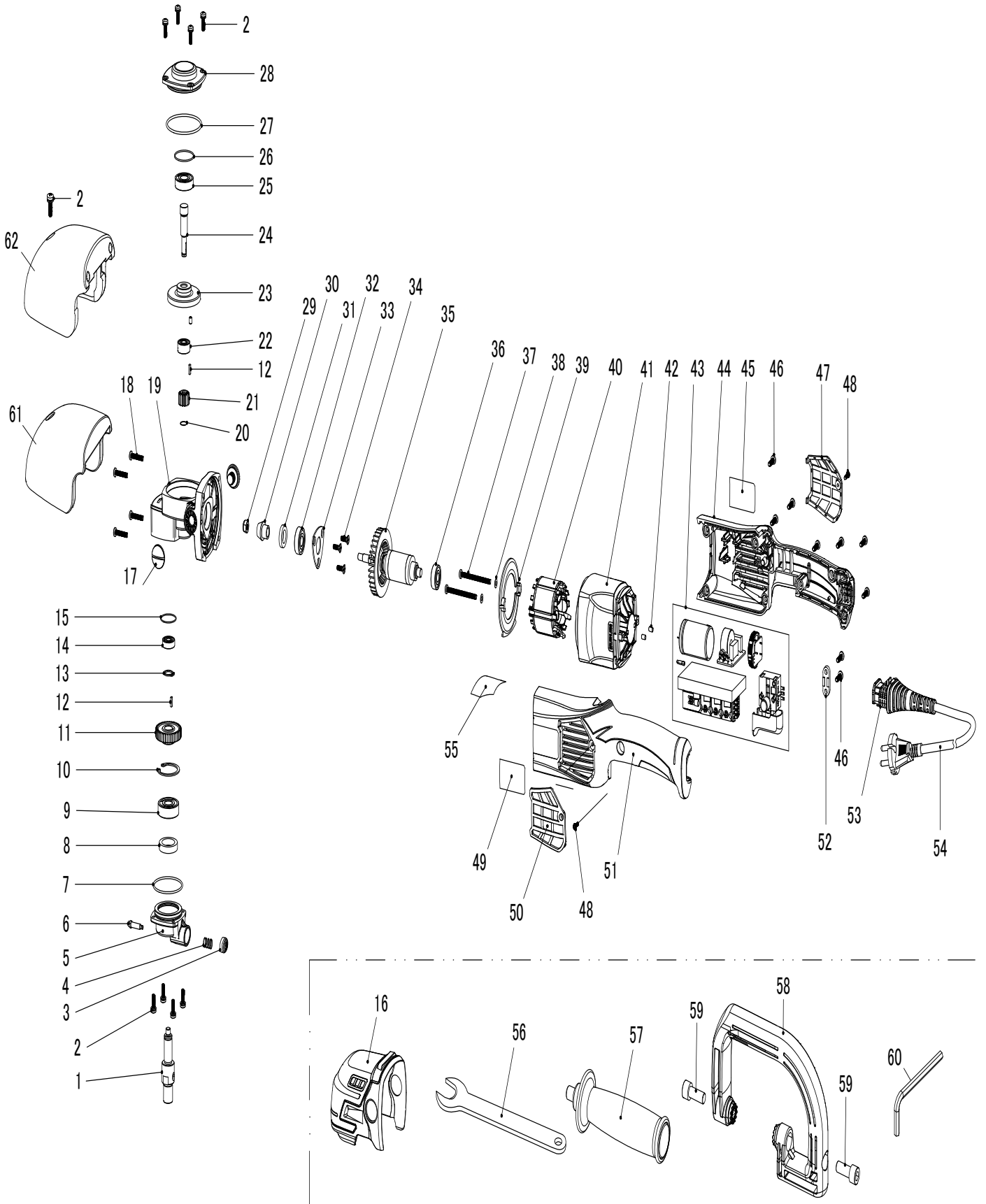


Part No: BMP-700
Version 05/2026

 **Alpha Professional Tools**[®]

16 Park Dr Ste 9, Franklin, NJ 07416 • 800-648-7229
www.alpha-tools.com

ALPHA® BMP-700 PARTS/SCHEMATIC



ALPHA® BMP-700 PARTS/SCHEMATIC

DRAWING NO.	PART NO.	DESCRIPTION	QUANTITY
1	220000	OUTPUT SHAFT (5/8"-11 UNC)	1
2	220001	SCREW M4X14	9
3	220002	LOCK PIN CAP	1
4	220003	RETURN SPRING	1
5	220004	GEAR CASE COVER	1
6	220005	SPINDLE LOCK PIN	1
7	220006	O-RING 42X1.5	1
8	220007	OIL LIP SEAL 20X28X6	1
9	220008	BALL BEARING 6201-2RS	1
10	210152	CIRCLIPS FOR HOLES 32	1
11	220009	GEAR	1
12	220010	FLAT KEY 3X3X8	2
13	210155	CIRCLIP FOR SHAFT 12	1
14	220011	BALL BEARING 607-2Z	1
15	220012	O-RING 21X1.2	1
16	220013	PLASTIC CASE COVER	1
17	220014	PLASTIC SCREW M10X8	2
18	220015	SCREW ST4.2X30	4
19	220016	GEAR CASE	1
20	220017	WIRE RETAINING RING FOR SHAFT 7	1
21	220018	GEAR	1
22	220019	BALL BEARING 7X19X10	1
23	220020	GEAR	1
24	220021	OUTPUT SHAFT	1
25	220022	BALL BEARING 6001-2Z	1
26	220023	O-RING 31X1.5	1
27	220024	O-RING 54X2	1
28	220025	COVER	1
29	220026	NUT M6	1
30	220027	BEVEL PINION	1
31	220028	OIL LIP SEAL 12X20X4	1
32	220029	BALL BEARING 609-2RS	1
33	220030	BEARING CLAMP	1
34	220031	SCREW M4X10	3
35	220032	ARMATURE 120V	1

ALPHA® BMP-700 PARTS/SCHEMATIC

DRAWING NO.	PART NO.	DESCRIPTION	QUANTITY
36	220033	BALL BEARING 608-2LBV	1
37	220034	SCREW ST3.9X60	2
38	220035	WASHER 4	2
39	220036	WIND BAFFLE	1
40	220037	FIELD COIL 120V	1
41	220038	FIELD COIL CASE	1
42	220039	RUBBER PIN	3
43	220040	CONTROLLER ASSEMBLY	1
44	220041	REAR HANDLE (RIGHT)	1
45	220042	DATA LABEL (BMP-700)	1
46	210185	SELF-TAPPING SCREW ST4.2X16	9
47	220043	DUST-PROOF NET (R)	1
48	220044	SCREW ST2.9X10	2
49	220045	BRAND LABEL	1
50	220046	DUST-PROOF NET (L)	1
51	220047	REAR HANDLE (LEFT)	1
52	210188	CORD CLAMP	1
53	220048	CORD JACKET	1
54	220049	POWER SUPPLY CORD (25FT/14AWG)	1
55	220050	SPEED LABELING	1
56	210196	OPEN-END SPANNER WRENCH (17MM)	1
57	220051	SIDE HANDLE	1
58	220052	C-HANDLE W/TOOTHED WASHERS (BMP-700)	1
59	220053	SCREW M10X25	2
60	210195	HEX. WRENCH (8MM)	1
61	220054	GEAR HEAD WEIGHT	1
62	220057	RUBBER COVER FOR GEAR HEAD WEIGHT	1