

Alpha[®] High-Performance Pneumatic Grinder Parts List

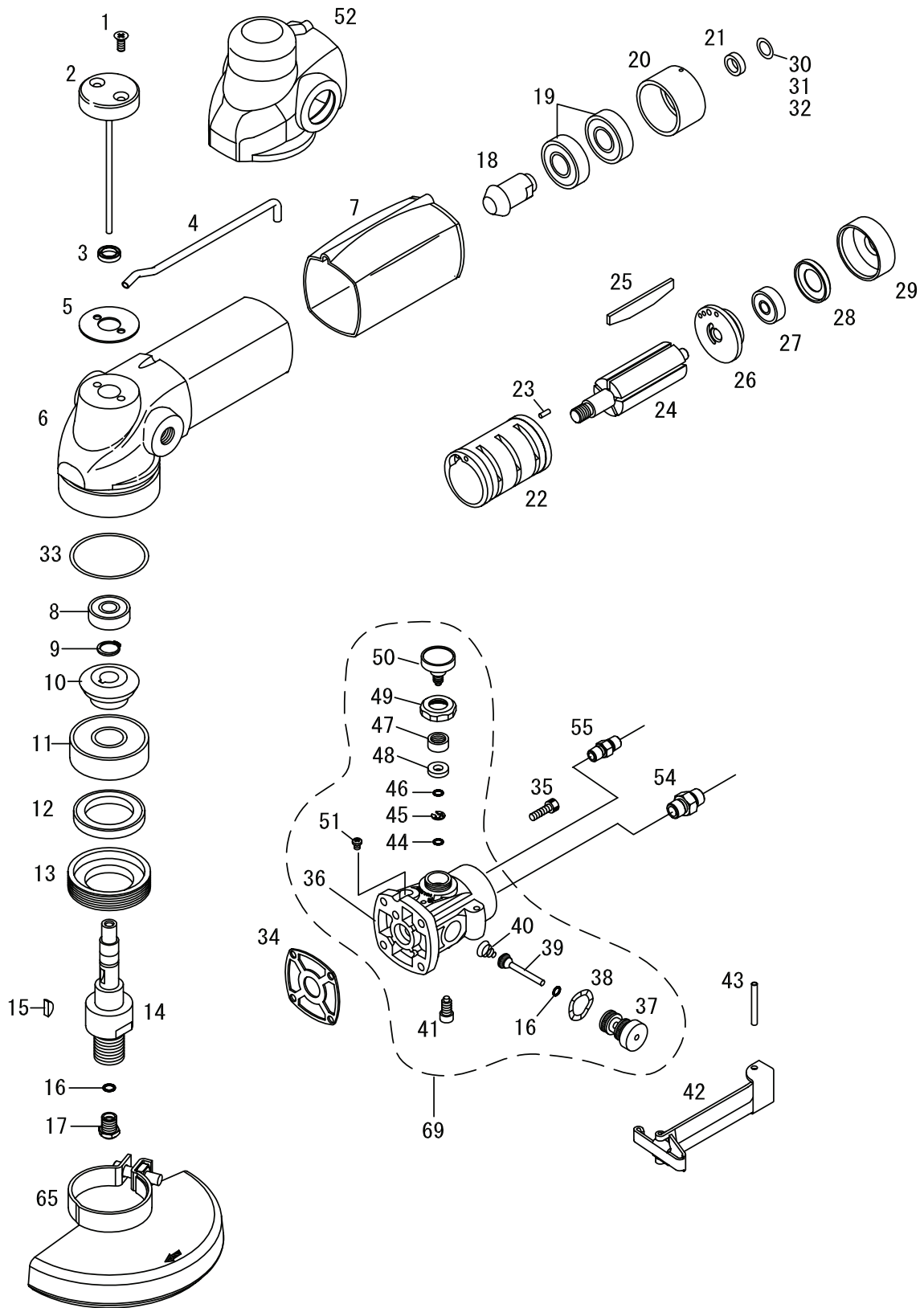


Part No: PSG-658

Printed Version: 01/2022

ALPHA® PSG-658 HIGH-PERFORMANCE PNEUMATIC GRINDER SCHEMATIC

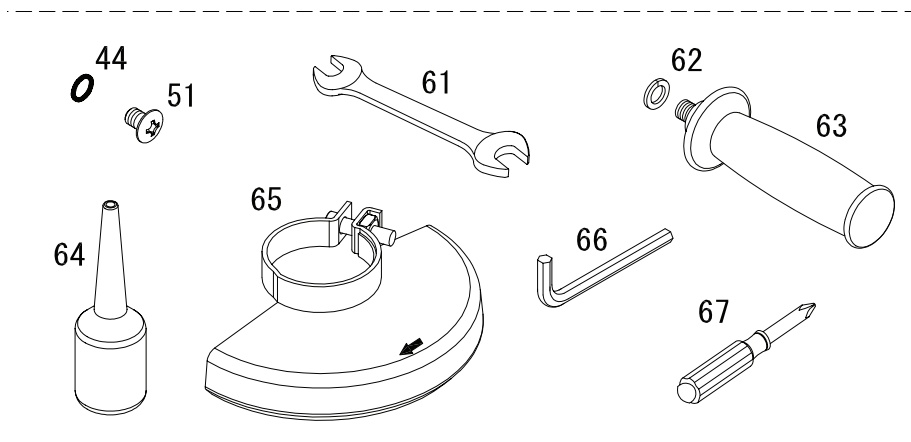
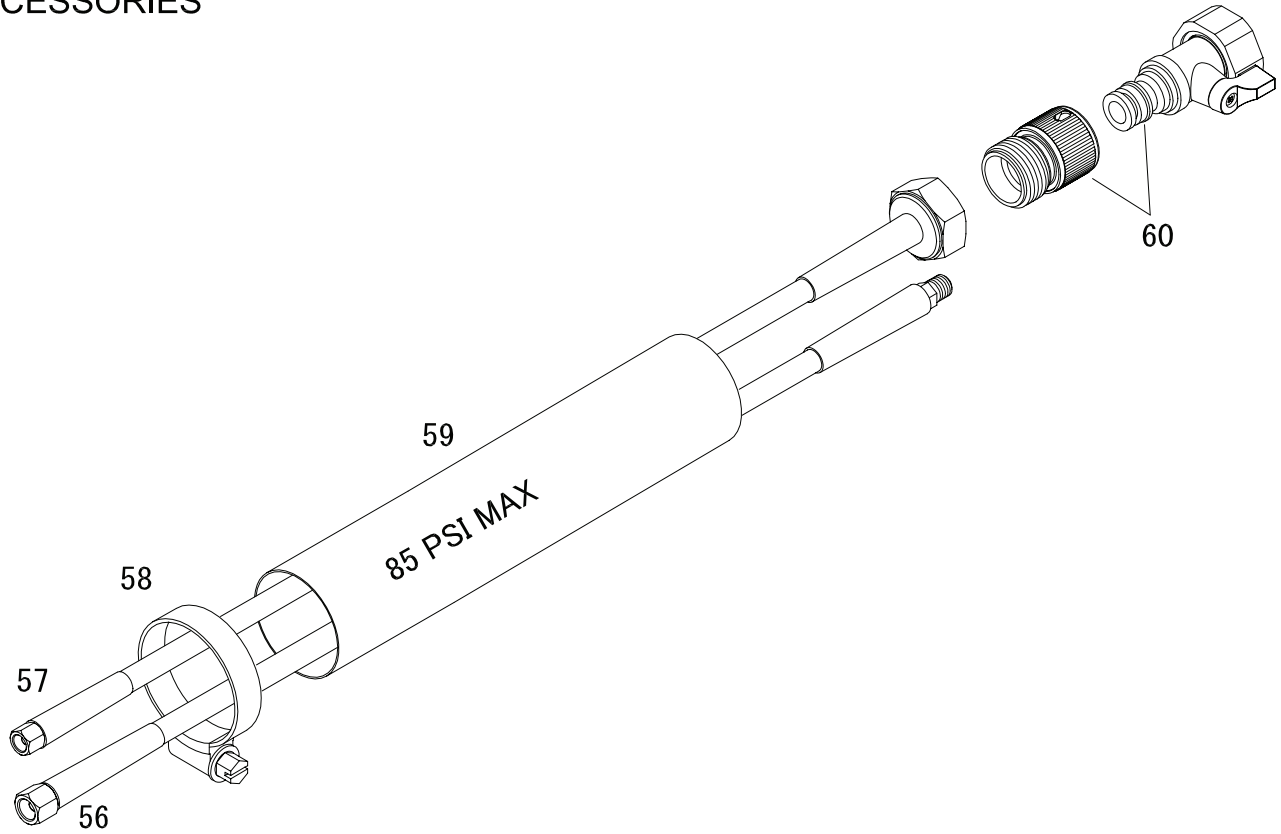
PART 1



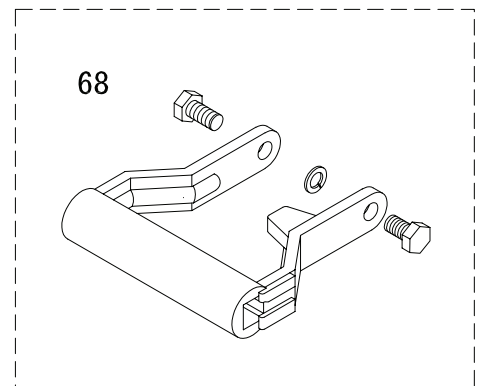
ALPHA® PSG-658 HIGH-PERFORMANCE PNEUMATIC GRINDER SCHEMATIC

PART 2

ACCESSORIES



Optional Accessory



ALPHA® PSG-658 HIGH-PERFORMANCE PNEUMATIC GRINDER PARTS LIST

DRAWING NO.	PART NO.	DESCRIPTION	Qty
1	658-01	Flat Head Screw M4x12	2
2	658-92	Pipe-Joint Assembly	1
3	516-44	Oil Seal	1
4	658-09	W-Pipe	1
5	658-10	Head Packing	1
6	658-11	Body	1
7	658-12	Body Cover	1
8	516-20	Ball Bearing (608zz)	1
9	658-16	Snap Ring (S-10)	1
10	658-128	Spiral Bevel Gear	1
11	516-48	Ball Bearing (6302zz)	1
12	516-49	Oil Seal	1
13	516-50	44mm Nut	1
14	658-100	Spindle 5/8"-11 Thread	1
15	658-22	Woodruff Key	1
16	658-23	O-Ring (1.7mm X 2.75mm)	2
17	658-24	Spray Nozzle	1
18	658-132	Spiral Bevel Pinion	1
19	658-118	Ball Bearing (6000zz)	2
20	658-119	Front Bearing Case	1
21	658-120	Rotor Spacer	1
22	658-101	Cylinder (Inc. Part # 658-31)	1
23	658-31	Spring Pin	1
24	658-121	Rotor 5 Vane	1
25	658-103	Vanes (5 Pc Set)	5
26	516-26	R-Bearing Case	1
27	658-146	Ball Bearing (626zz)	1
28	516-28	Bearing Cap	1
29	658-122	Air Inlet Case	1
30	658-123	Shim (0.10mm)	1
31	658-124	Shim (0.03mm)	1
32	658-125	Shim (0.05mm)	1
33	658-84	Shim (0.20mm)	1
34	658-38	Body Gasket	1

ALPHA® PSG-658 HIGH-PERFORMANCE PNEUMATIC GRINDER PARTS LIST

DRAWING NO.	PART NO.	DESCRIPTION	Qty
35	658-145	Socket Head Screw M4 X 15	4
36	658-133	Endcase Assembly	1
37	658-158	Valve Pin Sleeve With O-Ring (X 2pcs)	1
38	658-135	Wave Washer	1
39	658-136	Air Valve	1
40	658-137	Valve Spring	1
41	658-138	Cap Bolt	1
42	658-139	Throttle Lever	1
43	658-140	Spring Pin	1
44	658-108	O-Ring	2
45	658-65	Retaining Ring Type-E	1
46	658-64	O-Ring	1
47	658-107	Nut M8	1
48	658-67	Washer	1
49	658-141	Nut M16	1
50	658-106	Water Valve	1
51	658-91	Screw (W/O-Ring Seal (1pc In Tool + 1 Spare))	2
52	658-126	Head Cover (Blue)	1
54	1030-1021	Union Fitting For Air 1/4"	1
55	1030-1020	Union Fitting For Water 1/8"	1
56	1030-0002	Air Hose Assembly	1
57	1030-0003	Water Hose Assembly	1
58	1030-1104	Hose Clamp	1
59	658-95	Exhaust Hose (85 Psi Max)	1
60	658-113	Water Quick Coupler With Shut-Off Valve	1
61	1030-1103	Double Open End Wrench (19mm/22mm)	1
62	658-13	Spring Washer M10	2
63	658-14	Side Handle	1
64	Air-008	Rust Inhibitor Oil 6 Oz.(200ml) (Replace With Air-008)	1
65	658-142	6" Safety Guard Assembly	1
66	658-143	Hex. Wrench 6mm	1
67	658-114	Phillips Screwdriver P1	1
68	1030-0004	C-Handle Assembly (Sold Separately)	1
69	658-149	Complete End Case Assembly	1