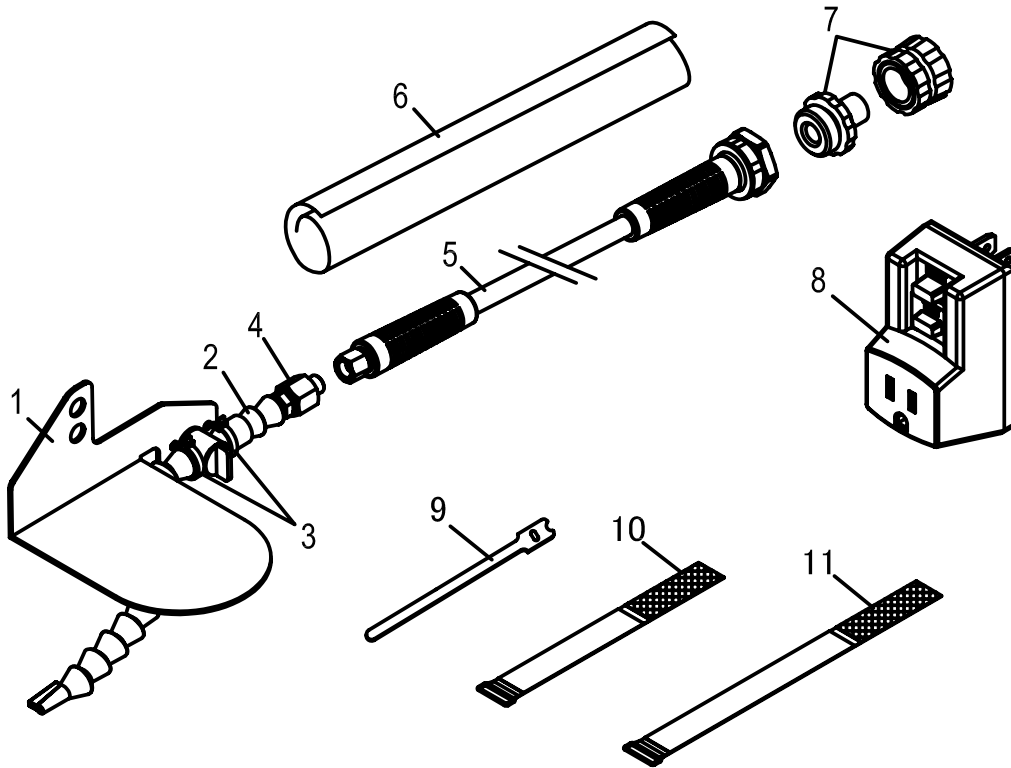


ALPHA® WSPKIT SCHEMATIC & PART LISTS



| ITEM NO. | PART NO. | DESCRIPTION | QUANTITY |
|----------|-----------------|----------------------------------|----------|
| 1 | 133791 | Splash Guard | 1 |
| 2 | 140004 | Loc-Line Assembly | 1 |
| 3 | PDH-CABLETIES | Plastic Tie | 2 |
| 4 | 133780 | Adapter (1/4 NPT>>>M10*P1.0) | 1 |
| 5 | 210129 | Water Hose Assembly (15ft./4.5m) | 1 |
| 6 | 210124 | Memory Wrap (3ft./1m) | 1 |
| 7 | 658-113 | Quick Connect Adapter | 1 |
| 8 | GFCI-1 / GFCI-2 | GFCI Plug (120V) / (240V) | 1 |
| 9 | 133551 | Hook & Loop Strap (1/2"x12") | 1 |
| 10 | 140003 | Hook & Loop Strap (1-1/2"x 12") | 1 |
| 11 | 140008 | Hook & Loop Strap (1-1/2"x18") | 1 |