
Alpha[®] AIR-680UW Pneumatic Polisher Parts List



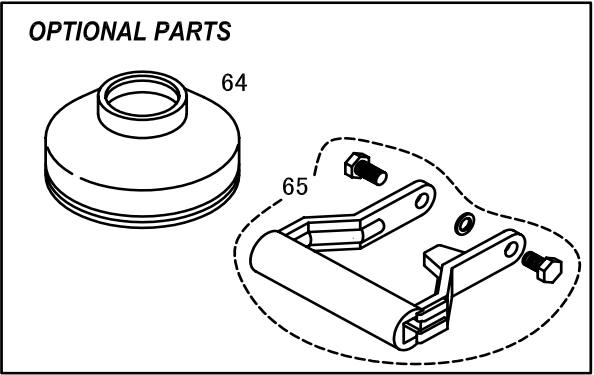
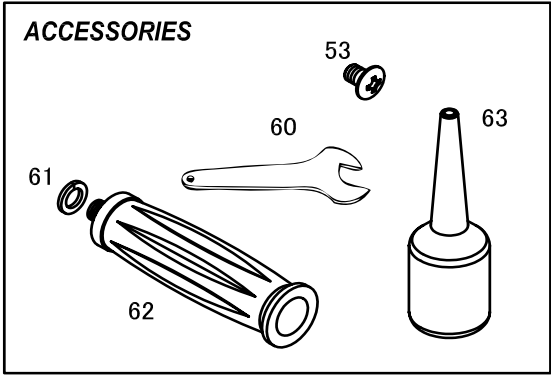
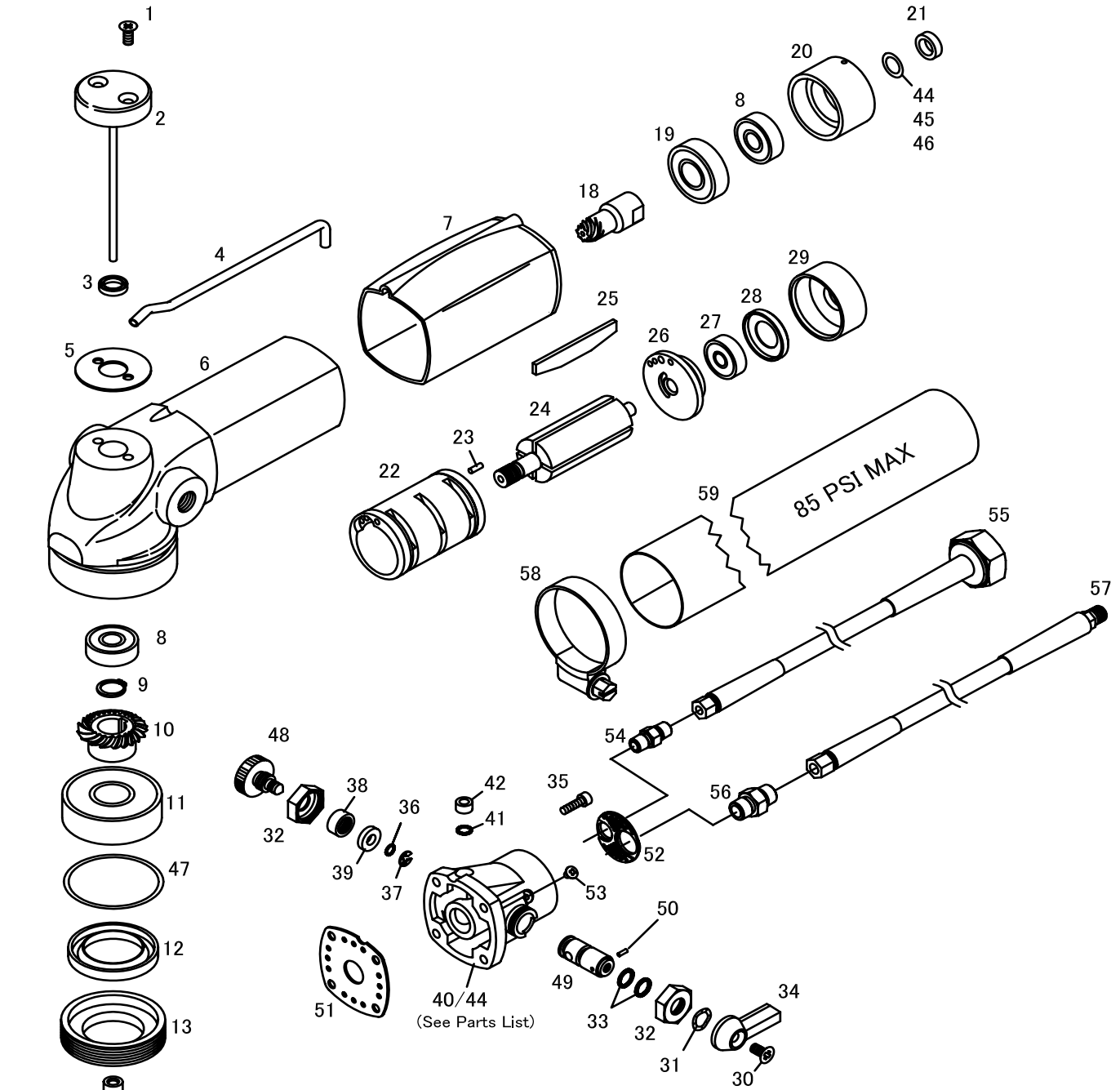
Part No: AIR-680UW
Version 2/2025

 **Alpha Professional Tools**[®]

16 Park Dr Ste 9, Franklin, NJ 07416 • 800-648-7229 • Fax: 800-286-0114
www.alpha-tools.com

AIR-680UW PARTS LIST AND SCHEMATIC
FEBRUARY 2025

ALPHA® AIR-680UW PNEUMATIC POLISHER SCHEMATIC



ALPHA® AIR-680UW PNEUMATIC POLISHER PARTS LIST

DRAWING NO.	PART NO.	DESCRIPTION	QTY
1	658-01	Screw M4x10	2
2	658-92	Pipe-Joint Assembly	1
3	516-44	Oil Seal	1
4	658-09	W-pipe	1
5	658-10	Head Packing	1
6	658-11	Body	1
7	658-12	Body Cover	1
8	516-20	Ball Bearing 608ZZ	1
9	658-16	Snap Ring	1
10	658-17	Spiral Bevel Gear	1
11	516-48	Bearing 6302ZZ	1
12	516-49	Oil Seal	1
13	516-50	44 Nut	1
14	658-93	Spindle 5/8"-11 Thread	1
15	658-22	Woodruff Key	1
16	658-23	O-Ring (1.7mm x 2.75mm)	1
17	658-24	Spray Nozzle	1
18	658-25	Spiral Bevel Pinion	1
19	516-18	Ball Bearing 6001ZZ	1
20	658-28	F-Bearing Case	1
21	658-29	Rotor Spacer	1
22	658-30	Cylinder (inc. Part No. 658-31)	1
23	658-31	Spring Pin	1
24	658-32	Rotor	1
25	516-25	Vane (4pc set)	1
26	516-26	R-Bearing Case	1
27	516-27	Bearing 626ZZ	1
28	516-28	Bearing Cap	1
29	658-37	Air Inlet Case	1
30	658-43	Screw M4x12	1
31	658-45	Wave Washer	1
32	658-46	Nut M14	2
33	658-47	O-Ring (1.7mm x 6.75mm)	2
34	658-50	Valve Lever	1

ALPHA® AIR-680UW PNEUMATIC POLISHER PARTS LIST

DRAWING NO.	PART NO.	DESCRIPTION	QTY
35	658-51	Screw M4x15	4
36	658-64	O-Ring (1.0mm x 3.0mm)	1
37	658-65	Retaining Ring E-Style	1
38	658-107	M8 Nut	1
39	658-67	Washer 05	1
40	658-94	Endcase Assembly (inc. Part No. 658-72, 73, 91)	1
41	658-72	O-Ring (1.9mm x 3.8mm)	1
42	658-73	Bushing 07	1
43	658-96	Complete Endcase Assembly	1
44	658-80	Shim (0.10mm)	1
45	658-81	Shim (0.03mm)	1
46	658-82	Shim (0.05mm)	1
47	658-84	Shim (0.20mm)	1
48	658-106	Water Valve (inc. Part No. 658-108)	1
49	658-87	A-Valve 4.0mm (inc. Part No. 658-88)	1
50	658-88	Needle Pin	1
51	658-89	Body Gasket (req. Part No. 658-90)	1
52	658-90	Silencer (req. Part No. 658-89)	1
53	658-91	Screw (w/O-Ring Seal (1pc in tool + 1 spare))	1
54	1030-1020	Male Union for Water Hose Fitting	1
55	1030-0003	Water Hose Assembly (15ft / 4.5m)	1
56	1030-1021	Male Union for Air Hose Fitting	1
57	1030-0002	Air Hose Assembly (15ft / 4.5m)	1
58	1030-1104	Hose Clamp	1
59	658-95	Exhaust Hose	1
60	1030-1103	Double Open End Wrench (19mm/22mm)	1
61	658-13	Spring Washer M10	1
62	658-14	Side Handle	1
64	658-112	Splash Guard	1
65	1030-0004	C-Shaped Handle	1