

Alpha[®] Wet Stone Cutter

Parts List and Schematic

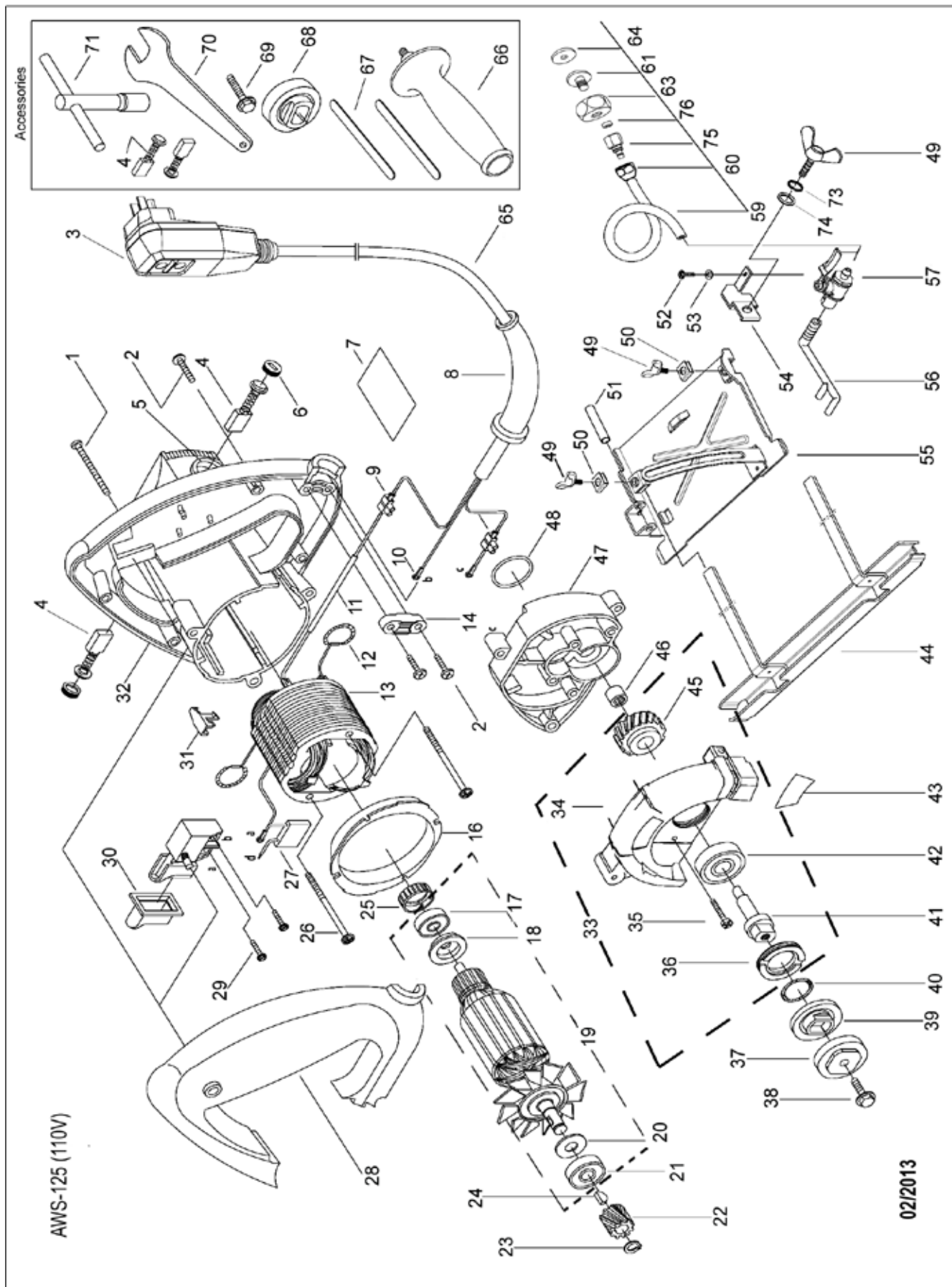


Part No: AWS-125 / AWS-225

 **Alpha Professional Tools**[®]

103 Bauer Drive, Oakland, NJ 07436 • 800-648-7229 • Fax: 800-286-0114
www.alpha-tools.com

ALPHA® AWS-125 WET STONE CUTTER SCHEMATIC



ALPHA® AWS-125 WET STONE CUTTER PARTS LIST

DRAWING NO	PART NO	DESCRIPTION	MSRP
1	133080	SCREW M5X40	1.03
2	130031	SELF-TAPPING SCREW 3.9X19	0.33
3	133289	GFCI 110V	35.77
3	133292	GFCI 220V	34.07
4	133033	CARBON BRUSH (2 PC SET)	7.85
5	133031	BRUSH HOLDER	1.99
6	133032	BRUSH CAP	1.39
7	133422	RATED PLATE 110V	0.50
8	133047	CABLE SLEEVE	1.19
9	130618	BLOCK TERMINAL	0.55
10	133040	WIRE TERMINAL	0.27
11	133042	INSULATION PIPE	0.35
12	133034	BRUSH TERMINAL ASSEMBLY	2.05
13	133436	FIELD COIL 110V	41.81
13	133004	FIELD COIL 220V	41.81
14	133086	CABLE CLAMP	0.25
16	133030	AIR BRIDGE	0.99
17	133025	BEARING 608-2RZ	6.49
18	133024	INSULATION DISC	0.55
19	133439	ARMATURE 110V	50.00
19	133012	ARMATURE 220V	50.00
20	133026	BEARING COVER	0.28
21	133027	BEARING 629-2RZ	6.28
22	133048	GEAR (SMALL)	9.53
23	133051	SNAP RING M8	0.18
24	133050	WOODRUFF KEY	0.53
25	133028	BEARING SLEEVE	0.86
26	133029	SELF-TAPPING SCREW 4.8X65	0.54
27	133392	CONDENSER ASSEMBLY	1.16
28	133254	HANDLE (FOR AWS-110/125)	3.95
29	133043	SWITCH (WITH SCREW)	15.85
30	133044	RUBBER SWITCH COVER	0.70
31	133041	CABLE CLIP	0.37
32	133003	REAR MOTOR HOUSING (BLUE)	14.95
33	133429	SPINDLE ASSEMBLY (FOR AWS-125)	38.72
34	133413	COVER	10.02
35	133079	SCREW M4X25	1.03
36	133060	SCREW CAP	1.99
37	133419	FLANGE-2	4.07
38	133464	SCREW (M6X20-LEFT)	1.65

ALPHA® AWS-125 WET STONE CUTTER PARTS LIST

DRAWING NO	PART NO	DESCRIPTION	MSRP
39	133418	FLANGE-1 (FOR AWS-125)	4.07
40	133062	O-RING (18X2.5)	0.25
41	133057	SPINDLE (FOR AWS-125)	9.71
42	133053	BEARING 6201-2RS	10.21
43	133242	BRAND LABEL	0.50
44	133416	TT RULER GUIDE (FOR AWS-125)	10.02
45	133058	GEAR (BIG)	11.28
46	133066	NEEDLE BEARING BK 0810	6.34
47	133255	GEAR BOX	13.34
48	133067	O-RING (25.5X2)	0.24
49	133084	WING SCREW	1.06
50	133269	WASHER FOR RULER	0.70
51	133085	PIN 6X28	0.25
52	133107	SCREW M3X5	0.09
53	133108	LOCK WASHER M3	0.15
54	133094	WATER VALVE BRACKET (FOR AWS-110/125)	0.53
55	133414	BASE PLATE ASSEMBLY	18.15
56	133420	NOZZLE (FOR AWS-125)	5.78
57	133362	WATER VALVE (FOR AWS-110/125)	5.74
59	133229	WATER HOSE 8MM ODX10FT (3M)	8.28
60	133231	COMPRESSION NUT	2.08
61	133230	SLEEVING CONNECTOR	2.08
63	133232	WATER HOSE ADAPTER	3.30
64	133233	HOSE WASHER (RUBBER)	0.30
65	133291	CABLE 110V	12.80
65	133237	CABLE 220V	11.97
66	801086	SIDE HANDLE (FOR AWS-125/ECC-125)	8.00
67	133369	FELT STRIP SET	1.53
68	133432	FLANGE-3	4.07
69	133463	SCREW (M6X30-LEFT)	1.66
70	133097	SPANNER WRENCH M 22	2.45
71	133098	T-HANDLE WRENCH	2.05
73	133071	FLAT WASHER M6	0.19
74	133072	SPRING WASHER M6	0.20
75	133234	ADAPTER FITTING	4.87
76	133236	COMPRESSION WASHER	1.42
NOT SHOWN	133441	BMC (BLOW MOLD CASE) FOR AWS-125	15.51