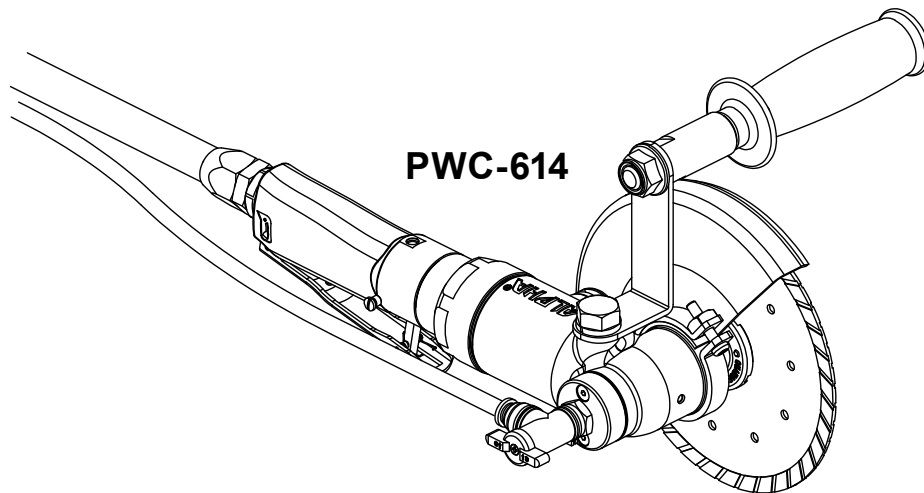
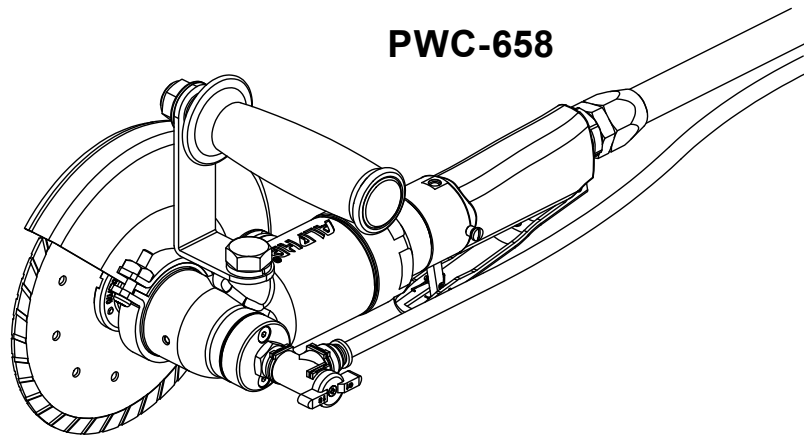

Alpha[®] PWC-658/614 Pneumatic High-Speed Angle Cutter/Grinder Parts List

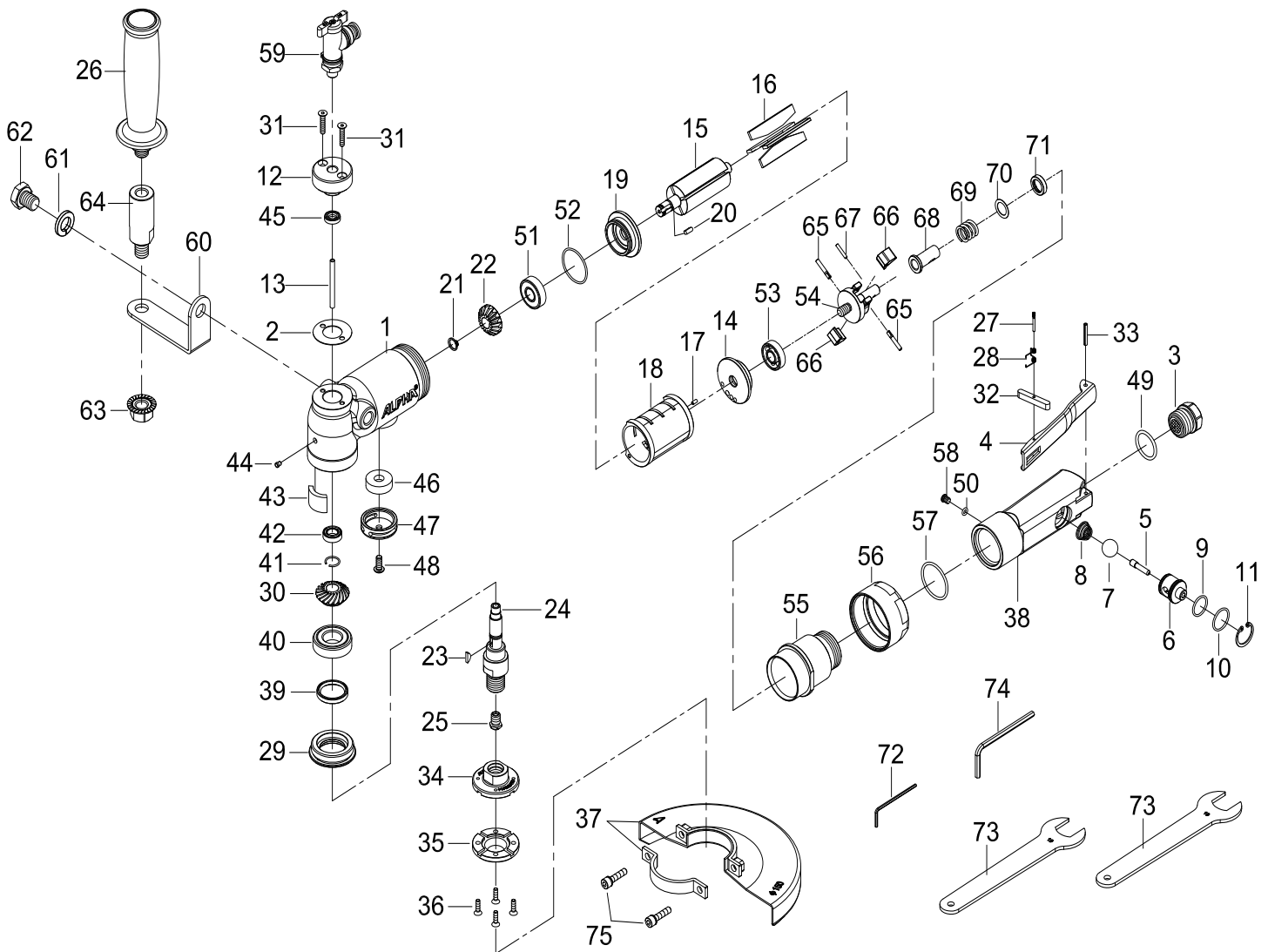


Part No: PWC-658/PWC-614
Version 01/2025

 **Alpha Professional Tools**[®]

16 Park Dr Ste 9, Franklin, NJ 07416 • 800-648-7229
www.alpha-tools.com

ALPHA® PWC-658/PWC-614 PNEUMATIC HIGH-SPEED ANGLE CUTTER/GRINDER



DRAWING NO.	PART NO.	DESCRIPTION	QTY
1	3004-0001	MOTOR HOUSING	1
2	3004-0002	GASKET	1
3	3004-0003	AIR INLET	1
4	3004-0004	THROTTLE LEVER	1
5	3004-0005	VALVE PIN	1
6	3004-0006	BUSHING	1
7	3004-0007	NYLON BALL	1
8	3004-0008	SPRING	1
9	3004-0009	O-RING (M13.5X1.5)	1
10	3001-0047	O-RING (M15.5X1.5)	1
11	3004-0010	RETAINING RING	1

ALPHA® PWC-658/PWC-614 PNEUMATIC HIGH-SPEED ANGLE CUTTER/GRINDER

DRAWING NO.	PART NO.	DESCRIPTION	QTY
12	3004-0011	CAP	1
13	3004-0012	PIPE	1
14	3002-0030	REAR BEARING CASE	1
15	3002-0029	ROTOR	1
16	3002-0027	VANE (4PC SET)	4
17	3003-0025	SPRING PIN (2.5X5)	1
18	3003-0026	CYLINDER	1
19	3004-0013	FRONT END PLATE	1
20	3002-0028	KEY (3X8L)	1
21	3002-0020	RETAINING RING (STW-9)	1
22	3002-0021	BEVEL PINION GEAR	1
23	3004-0014	KEY	1
24	3004-0015/3004-0047	SPINDLE 5/8"-11 / SPINDLE M14-2	1
25	3003-0059	SPRAY NOZZLE	1
26	3002-0065	SIDE HANDLE	1
27	3002-0043	PIN	1
28	3001-0069	SPRING	1
29	3004-0016	CLAMP NUT	1
30	3004-0017	BEVEL GEAR	1
31	3004-0018	SCREW (M4X20L)	2
32	3001-0068	SAFETY BAR	1
33	3001-0072	SPRING PIN (3X20L)	1
34-35-36	QUAW058	QUAD-W ADAPTER ALUM. 5/8"-11	1
37	PWCGRD6	6" SAFETY GUARD FOR PWC-658	1
38	3002-0036	REAR BODY	1
39	3004-0019	OIL SEAL	1
40	3002-0010	BALL BEARING (6003LLU)	1
41	3004-0020	RETAINING RING	1
42	3004-0021	BALL BEARING (689ZZ)	1
43	3002-0015	OIL FELT	1
44	3002-0016	LUBRICATOR	1
45	3004-0022	OIL SEAL	1
46	3004-0023	MUFFLER	1
47	3004-0024	EXHAUST DEFLECTOR	1
48	3004-0025	SCREW (M5X12L)	1
49	3004-0026	O-RING (19.8X2.4)	1
50	3002-0040	O-RING (3.5X1.5)	1

ALPHA® PWC-658/PWC-614 PNEUMATIC HIGH-SPEED ANGLE CUTTER/GRINDER

DRAWING NO.	PART NO.	DESCRIPTION	QTY
51	3002-0023	BALL BEARING (6000LLU)	1
52	3004-0027	O-RING	1
53	3002-0031	BALL BEARING (609)	1
54	3004-0028	GOVERNOR ASSEMBLY	1
55	3002-0033	INLET GUIDE	1
56	3004-0029	NUT	1
57	3002-0034	O-RING (28.5X2)	1
58	3004-0030	SCREW	1
59	3004-0031	BALL VALVE	1
60	500165	SIDE HANDLE BRACKET FOR PWC	1
61	3004-0032	SPRING WASHER	1
62	3004-0033	SCREW	1
63	3004-0034	LOCKNUT (M12X1.75)	1
64	500164	EXTENSION ROD FOR PWC	1
65	3004-0035	GROOVED PIN	2
66	3004-0036	GOVERNOR WEIGHT	2
67	3004-0037	PIN	1
68	3004-0038	GOVERNOR VALVE	1
69	3004-0039	SPRING	1
70	3004-0040	WASHER 0.2MM	1
	3004-0041	WASHER 0.3MM	1
	3004-0042	WASHER 0.5MM	1
71	3004-0043	SPRING HOLDER	1
72	3004-0045	ALLEN KEY (2MM)	1
73	3004-0046	SPANNER (19MM)	2
74	3004-0044	ALLEN KEY (4MM)	1
75	3004-0053	SCREW	2
76	ECG006	ELITE Q BLADE 6" 7/8"	1