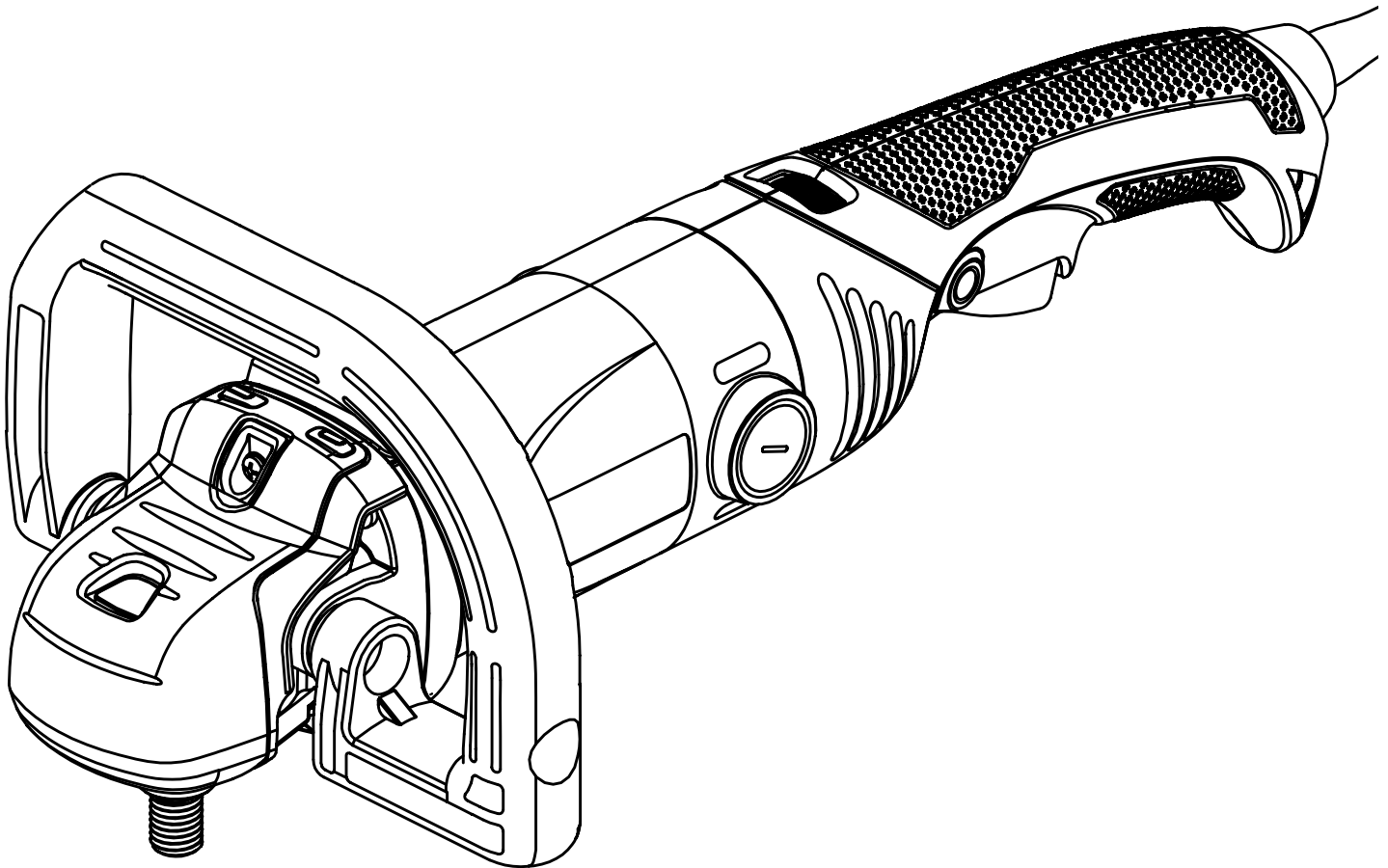


Alpha[®] Variable Speed Rotary Polisher Parts List and Schematic

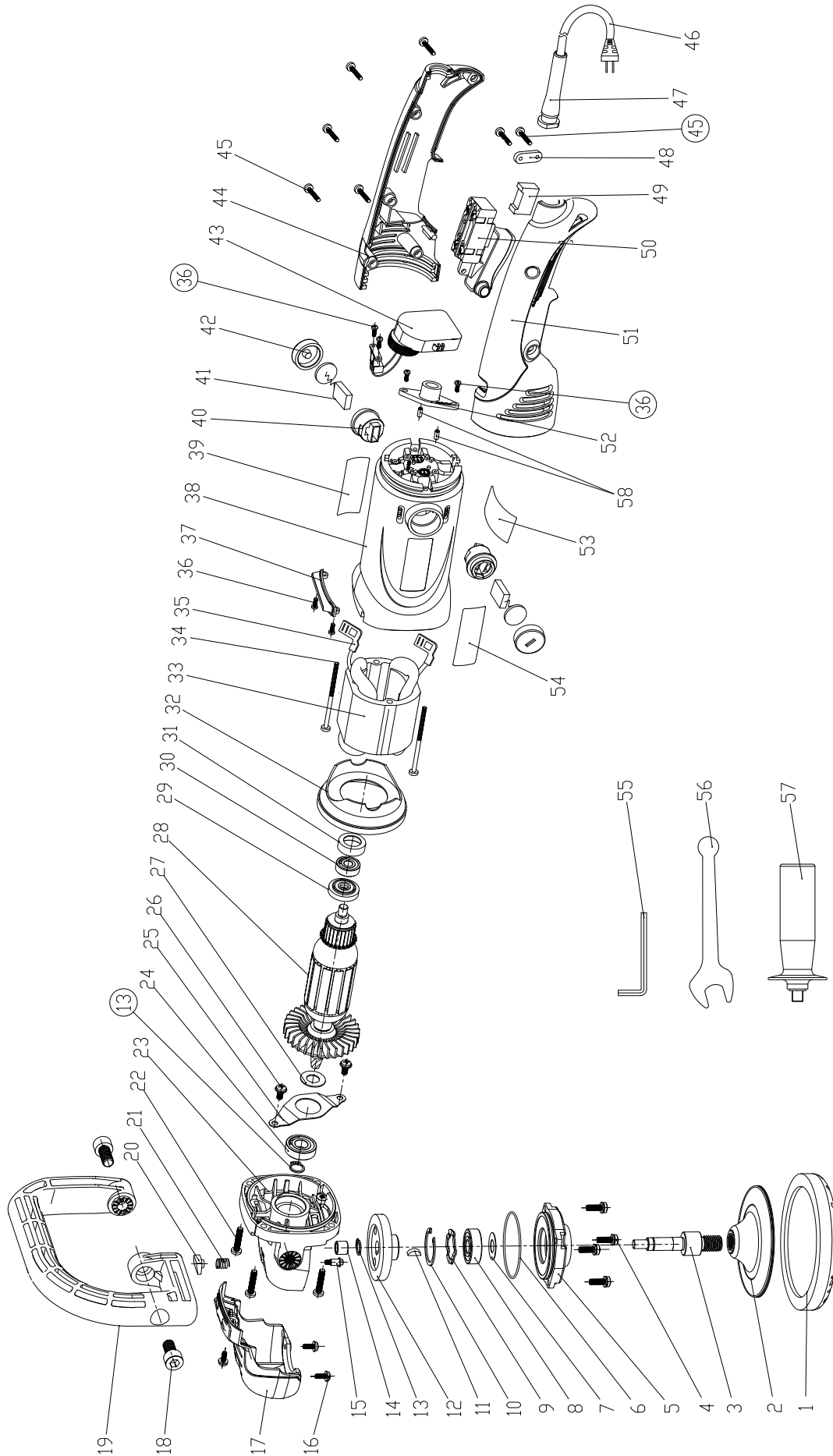


Model No.: VDP-714

Version 01/25

WARNING: To reduce the risk of injury, user must read and understand instruction manual!

ALPHA® VDP-714 SCHEMATIC



VDP-714 PARTS LIST

DRAWING NO.	PART NO.	DESCRIPTION	QTY
1	Not Included	FOAM PAD	2
2	Not Included	BACKING PLATE	1
3	210200	OUTPUT SHAFT	1
4	210146	SCREW COMBO M5X16	4
5	210147	GEAR CASE COVER	1
6	210148	O-RING	1
7	210149	DUST-PROOF WASHER 12X25X0.5	1
8	210150	BALL BEARING 6201-2RS	1
9	210151	WAVE SPRING WASHER	1
10	210152	CIRCLIPS FOR HOLES 32	1
11	210153	KEY 4X13	1
12	210154	GEAR	1
13	210155	CIRCLIP FOR SHAFT 12	2
14	210156	BUSH	1
15	210157	SPINDLE-LOCK PIN	1
16	210158	SCREW M5X10	3
17	210159	GEAR CASE PLASTIC COVER	1
18	210160	HEXAGON SCREW M10X20	2
19	210161	C-HANDLE	1
20	210162	SPINDLE-LOCK CAP	1
21	210163	SPINDLE-LOCK SPRING	1
22	210164	SELF-TAPPING SCREW ST4.8X20	4
23	210165	GEAR CASE	1
24	210166	BALL BEARING 6001-2RS	1
25	210167	BEARING CLAMP	1
26	210168	SCREW M5X10	2
27	210169	BEARING RETAINER 12X21X1	1
28	210201	ARMATURE	1
29	210171	MAGNETIC RING 8X28X7	1
30	210172	BALL BEARING 608-2RZ	1
31	210173	RUBBER BEARING SEAT 608	1
32	210174	WIND BAFFLE	1
33	210175	FIELD COIL	1
34	210176	SELF-TAPPING SCREW ST4.8X65	2
35	210178	FLAG SLOT 4.8	2
36	210177	SELF-TAPPING SCREW ST4.9X10	6
37	210198	SUPPORT PAD	1
38	210199	FIELD COIL CASE	1
39	210207	DATA LABEL	1
40	210180	BRUSH HOLDER 6.2X13	2

DRAWING NO.	PART NO.	DESCRIPTION	QTY
41	210205	CARBON BRUSH 6.2X13X15 SET	1
42	210182	BRUSH HOLDER CAP	2
43	210203	CONTROLLER ASSEMBLY	1
44	210184	REAR HAND (RIGHT)	1
45	210185	SELF-TAPPING SCREW ST4.2X16	7
46	210204	POWER SUPPLY CORD	1
47	210208	CORD JACKET	1
48	210188	CORD CLAMP	1
49	210209	CAPACITOR	
50	210191	SWITCH	1
51	210192	REAR HAND (LEFT)	1
52	210193	CORD CLAMP	1
53	210210	BUILDER'S PLATE	1
54	210211	BRAND LABEL	1
55	210195	ALLEN WRENCH 8	1
56	210196	WRENCH 17	1
57	210197	SIDE HANDLE	1
58	210212	Screw M5x10	2