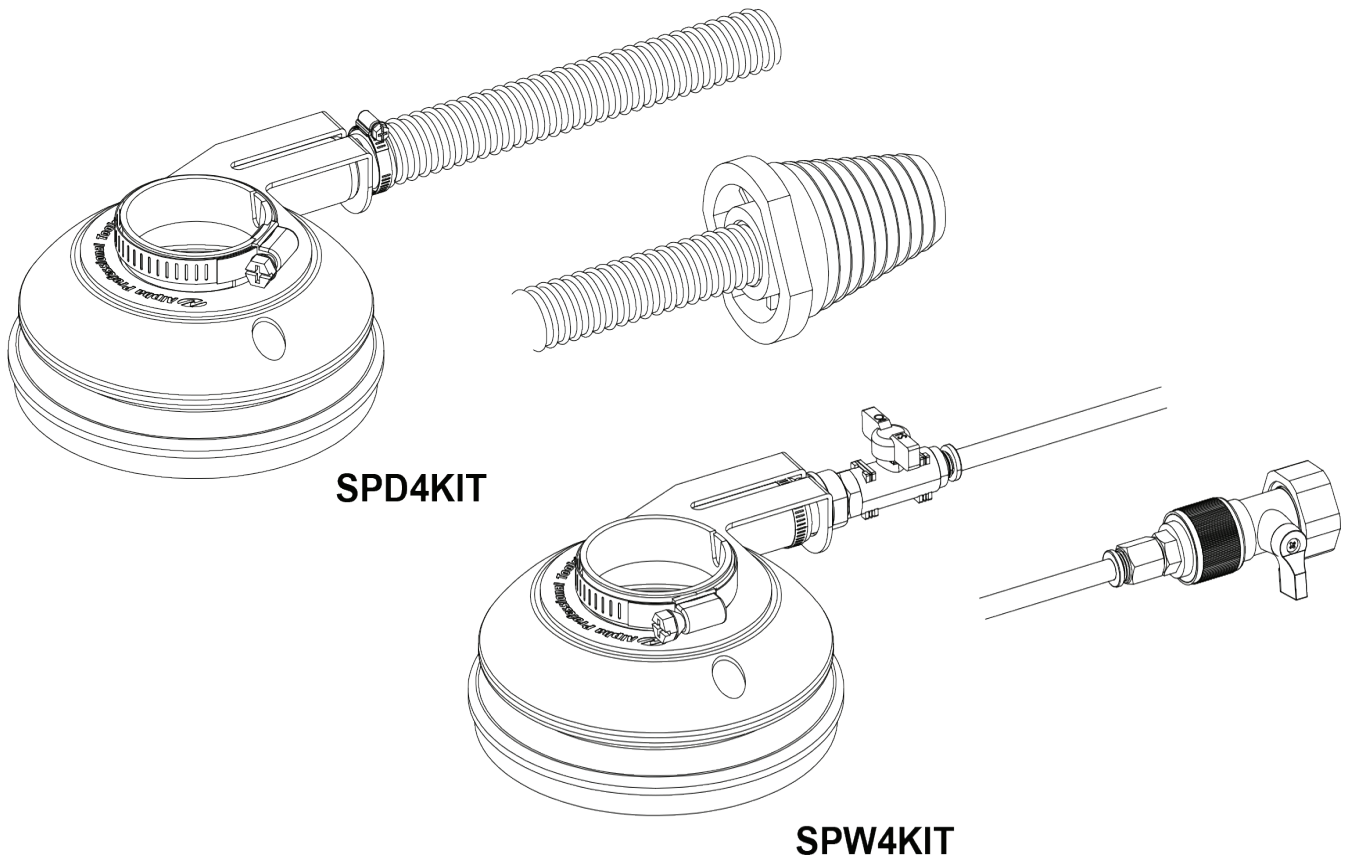


---

# Alpha<sup>®</sup> Wet Sanding / Polishing Kits (SPD4KIT / SPW4KIT) Parts List

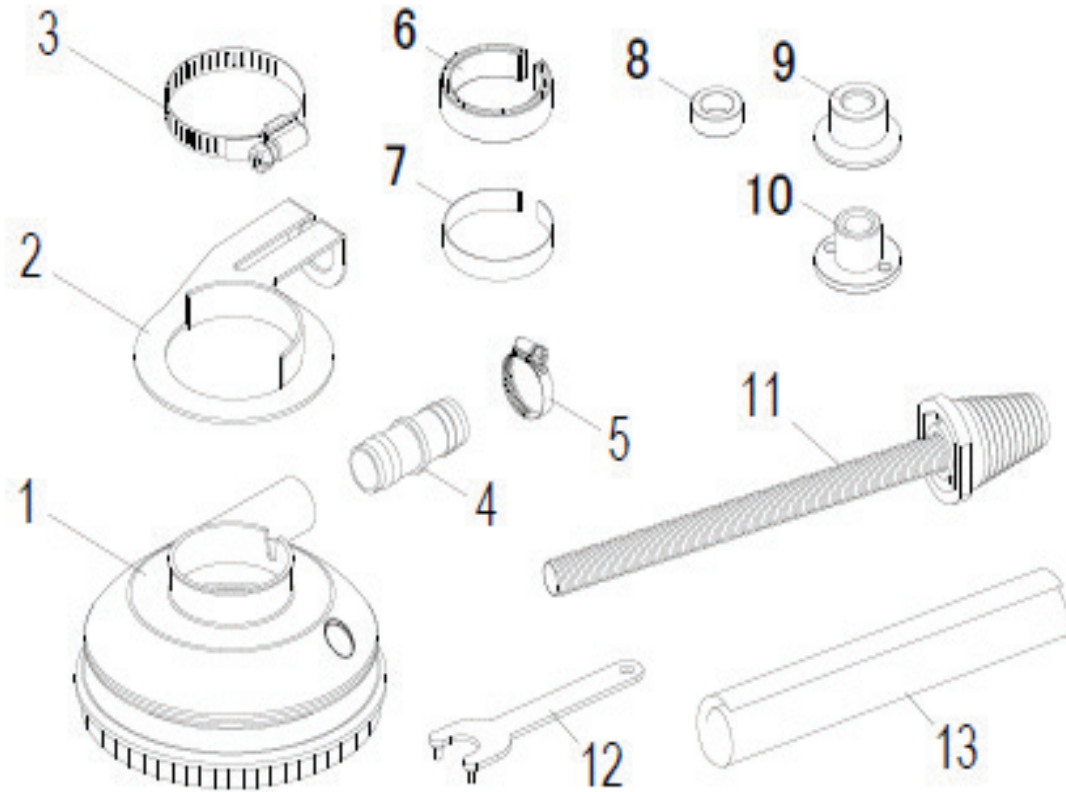


**Part No: SPD4KIT / SPW4KIT**  
**Version 08/2024**



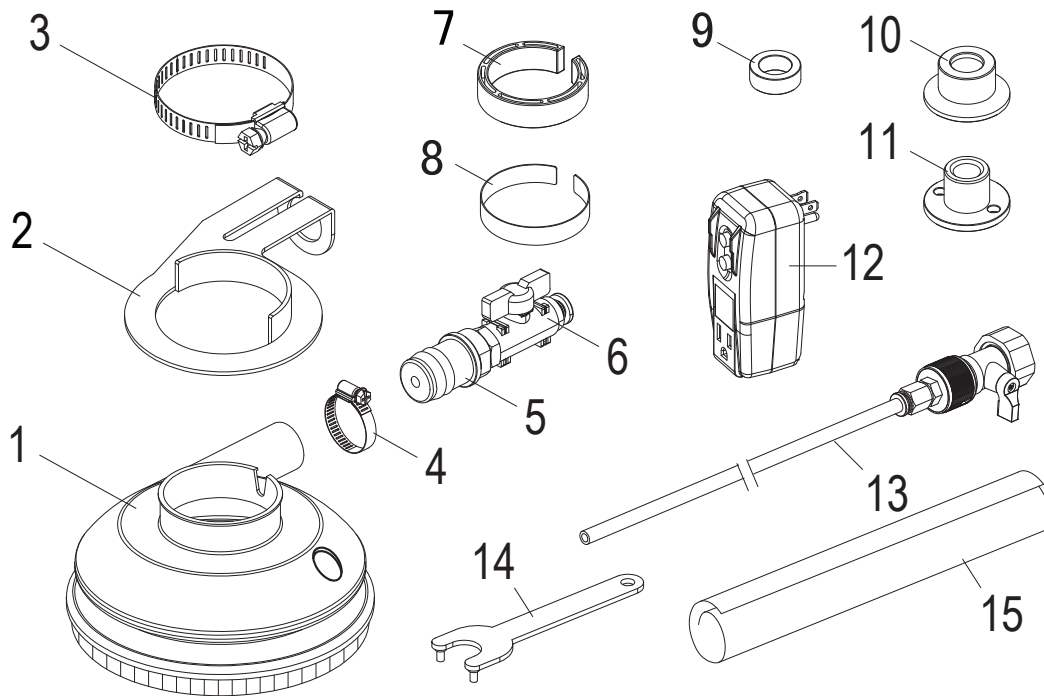
16 Park Dr Ste 9, Franklin, NJ 07416 • 800-648-7229 • Fax: 800-286-0114  
www.alpha-tools.com

# ALPHA® SPD4KIT - DRY SANDING/POLISHING KIT PARTS



DRAWING NO.	PART NO.	DESCRIPTION	QTY
1	500150	4" Dust/Splash Guard	1
2	500151	Dust Hose Holder	1
3	500152	Stainless Steel Hose Band (40-63mm)	1
4	500153	Hose Connector	1
5	500077	Stainless Steel Hose Band (16-27mm)	1
6	133779	Plastic Collar	1
7	133778	Stainless Steel Collar	1
8	500154	Spacer	1
9	500155	Inner Flange	1
10	500156	Lock Nut	1
11	VH91100	Universal Dust Hose	1
12	210105	Pin Wrench (P30)	1
13	210206	Memory Wrap (3ft./1m) (32mm)	1

# ALPHA® SPW4KIT - WET SANDING/POLISHING KIT PARTS



DRAWING NO.	PART NO.	DESCRIPTION	QTY
1	500150	4" Dust/Splash Guard	1
2	500151	Dust Hose Holder	1
3	500152	Stainless Steel Hose Band (40-63mm)	1
4	500077	Stainless Steel Hose Band (16-27mm)	1
5	500153	Valve Connector	1
6	500154	Water Control Valve (R1/8" + 8mm ID)	1
7	133779	Plastic Collar	1
8	133778	Stainless Steel Collar	1
9	500154	Spacer	1
10	500155	Inner Flange	1
11	500156	Lock Nut	1
12	GFCI-1	GFCI 110V	1
13	500157	Water Hose Assembly	1
14	210105	Pin Wrench (P30)	1
15	210124	Memory Wrap (3ft./1m) (18mm)	1